



Let us help you optimize your production
(+45) 63 15 20 60
egatec.com

Specialists in End-of-line solutions, handling, packing and logistics solutions, that integrates Machinery, Robots, Automation & Vision.



Box Handling - Case Packing - Palletizing

EGATEC A/S offers a complete line of automatic packaging machines, both standalone and complete Turnkey Packaging Solutions, for a wide array of functions and products.

Packaging and Palletizing Solutions



Erectors



Dispensers



Packaging



Sealers



Palletizing



Robots

Box Handling

PACKAGING

EGApacker



EGAwrap-around



ERECTORS

EGAcase Erector



EGATray Erector



EGATray Erector

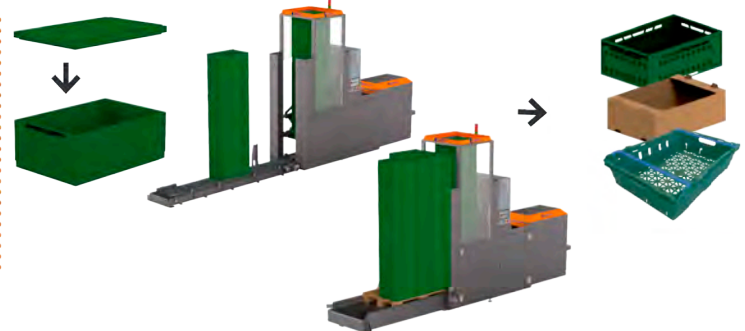


DISPENSERS

EGA De-stacker / Stacker



EGA De-stacker & Crate Erector



SEALERS

EGAbale Arm Closer



EGAscaler



SEALERS

EGApaternoster



LIFTS

EGAlift

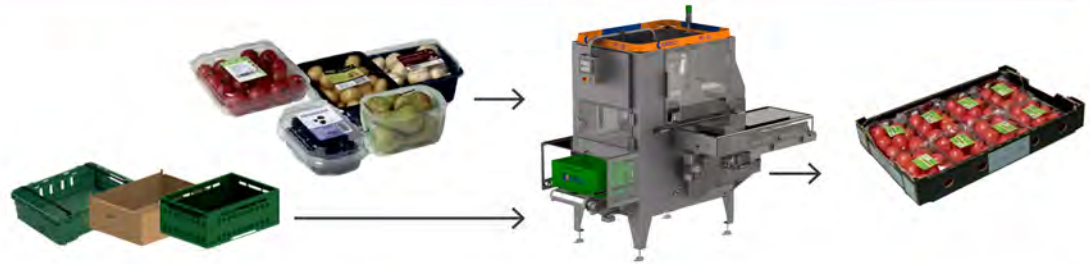


Case Packers

BD606 (Bag drop)



PCI21 (Parabolic Chute)



TV80 (Tray vacuum)



BD808 (Box drop)



EGCheck weigher



EGCheck weigher system

(With acceleration and pull nose reject conveyor)



EGCheck weigher systems can be offered as stand-alone, or directly integrated in the control of all our Case Packers

Case Packers

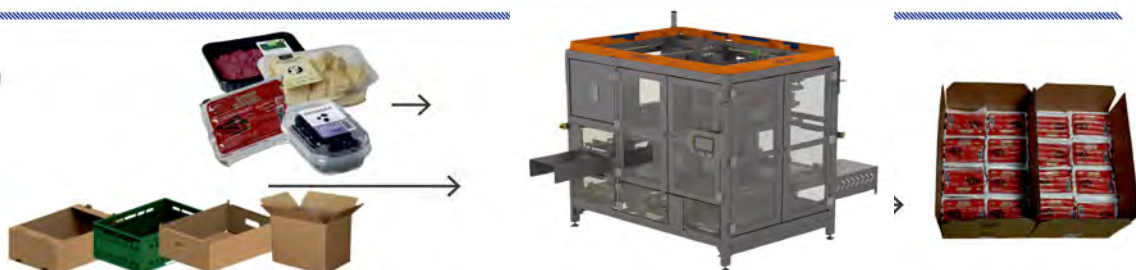
CP90 (Full layer packing)



PC242 (Parabolic Chute)



TVH160 (Tray vacuum)



Robot Packer RPI



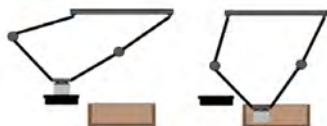
(Pick, Place & Pack)



Robot Packer RP2

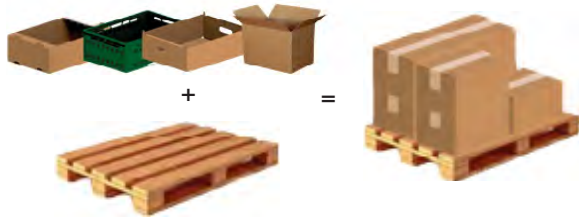


(Pick, Place & Pack)



Palletizing (All palletizers can be offered or full automatic)

EGApicker

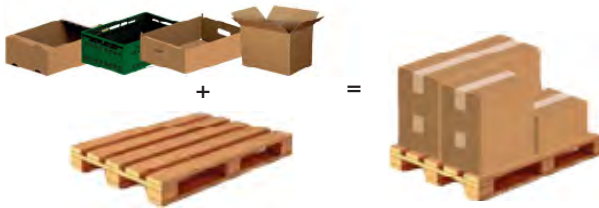


Mini Picker (Semi automatic)

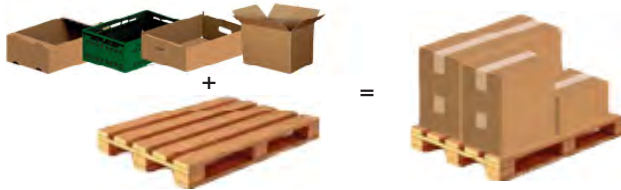


Picker (Full automatic)

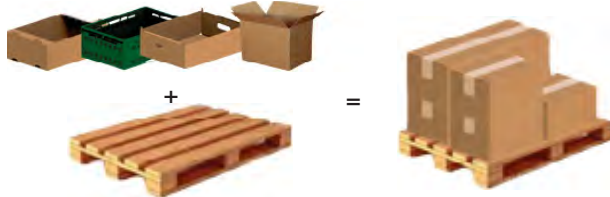
EGAClamp Palletizer & EGAPlate Palletizer



EGA PT5 & PT7



EGA Robot & Cobot palletizer



EGA Pallet magazine



EGA Pallet conveyor



EGA Transfer cart



AGV for pallet transport



Primary Packaging machines

Horizontal

Flow wrapper PHANTOM 150



Flow wrapper B1



Flow wrapper ATHENA 700



Vertical

Traysealer GTS850



Traysealer GTS1000/1250

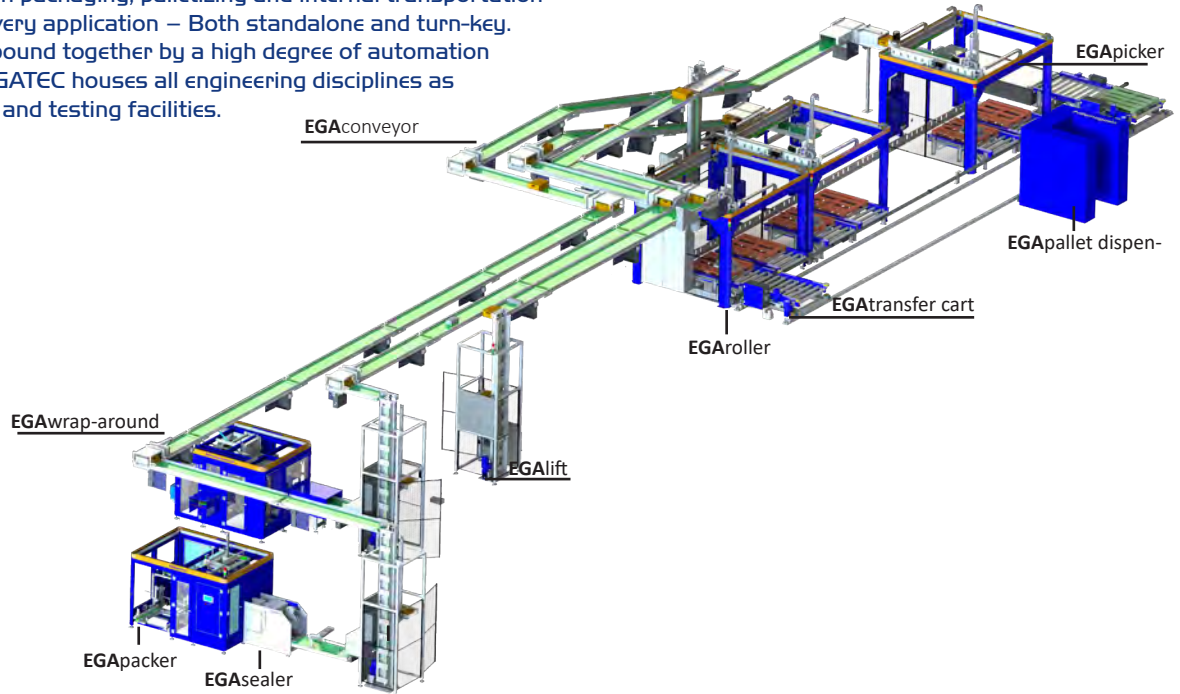


Traysealers

Standalone and turnkey solutions

EGATEC machine series offer a modular and compact solution for End Of Line.

Our solution within packaging, palletizing and internal transportation can be used for every application – Both standalone and turn-key. All solutions are bound together by a high degree of automation and linecontrol. EGATEC houses all engineering disciplines as well as workshop and testing facilities.



HANDLING

The competitive line within internal transport offer robust and compact solutions, ensuring long life and low maintenance costs. All standard modules are specially adapted to each application providing



PACKAGING

The full range of packaging machines provide professional packaging solutions that are reliable and require minimum of maintenance. The modular system makes it easy to adapt our standard solutions to your individual needs and requirements.



PALLETIZING

The palletizing solutions ensure fast, secure and efficient palletizing no matter how small or large your application is. The solutions offloads employees regarding repetitive work and simultaneously protects from heavy and awkward lifts.

Are you facing a End-of-Line challenge?

Let us help you optimize your production

(+45) 63 15 20 60

E-mail: sales@egatec.dk



egatec.com

EGATEC A/S
Hvidkærvej 3,
5250 Odense SV
Denmark

Version 2025 - 2