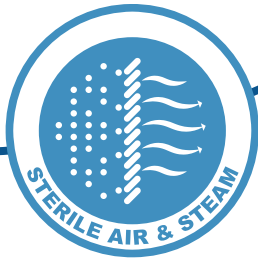



ULTRAFILTER
THE FILTRATION MANUFACTURER
THE SCANDINAVIAN FILTRATION PARTNER



ULTRAFILTER SANITARY PS FILTER HOUSING





WWW.ULTRA-FILTER.COM

SANITARY FILTER HOUSING

PS



Technical Data

-  SS316L / 1.4404
-  Ra 0,8 / Shot Peened
-  0°C to 150°C
-  Silicone FDA Approved

ATEX Certified

ATEX Classification: II 2 GD IIC
ATEX Certification: 04.01 EX.02-X

The filter housings series PS have been developed for using on applications as filtration of beverages such as wine, mineral water, soft-drinks.

The complete series is available with sizes from 1 cartridge to 30 cartridges and from 10" to 40" cartridges height. Cartridges socket connection is available for (226) Code7 Bayonet. The housings are equipped with standard Inlet and Outlet connections as: Clamp, DIN11851 and Weld end. Other kind of connections can be supplied on request. Vent and Drains are available as standard solution with BSP Male Part connection.

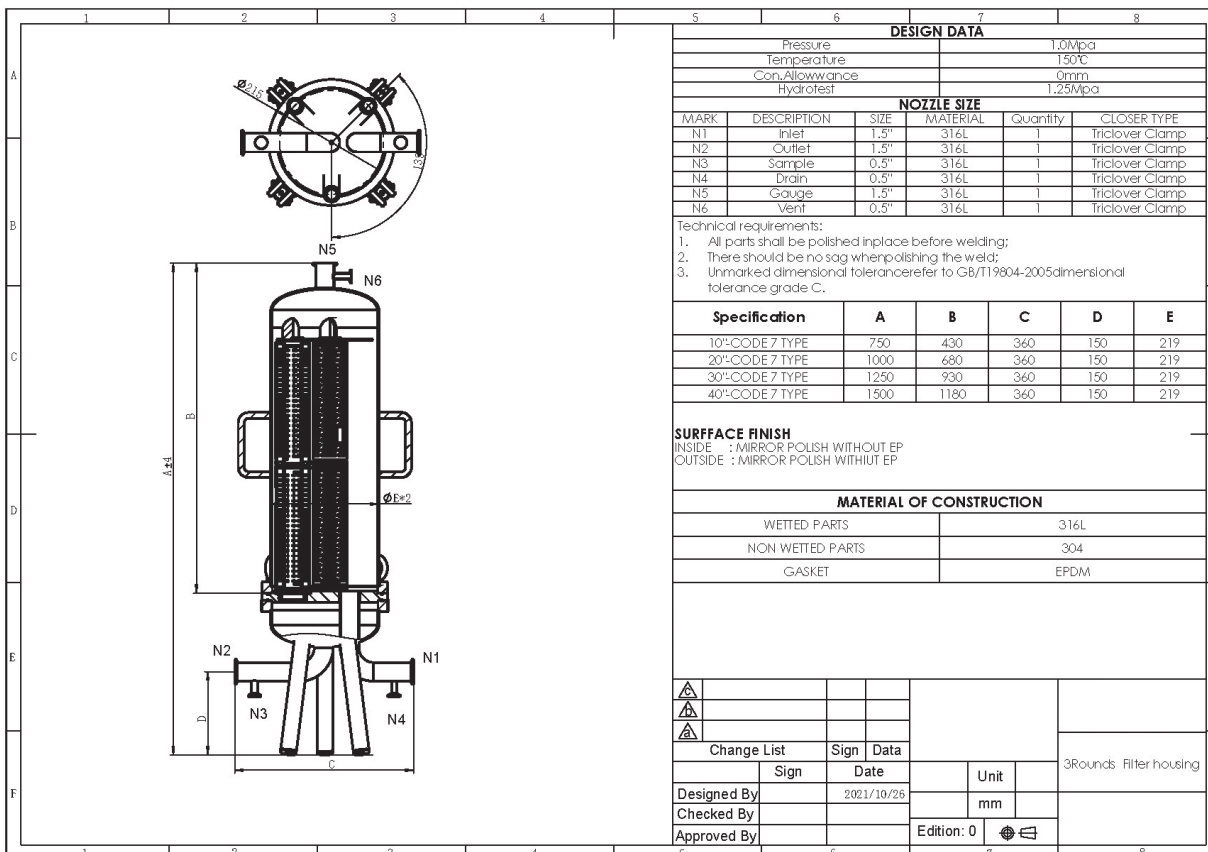
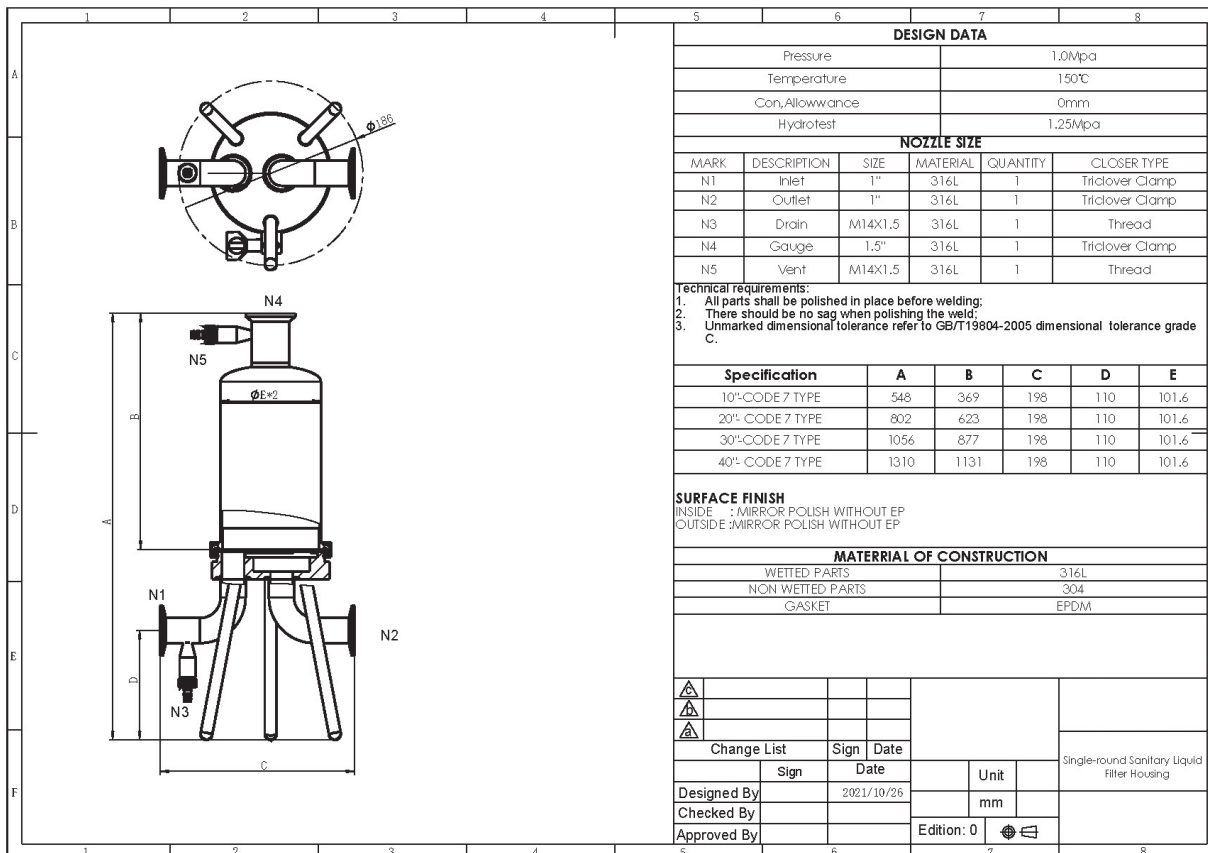
PS series suitable for fluid group 2 and in 2014/68/EU PED category I with pressure range -1 to 10 bar at 40°C and -1 to 7bar at 150°C.

Data

Vessel	PS
Fluid Group	2 (Not Dangerous)
Pressure (PS) min. max. at TS=0-40°C bar	0-10
Pressure (PS) min. max. at TS=150°C bar	0-4
Design Temperature (TS) max.	-
Test Pressure (PT)	-
Cartridge Socket	Code 7
Vessel Material	316L / 1.4404
Seals Material	Silicone FDA Approved

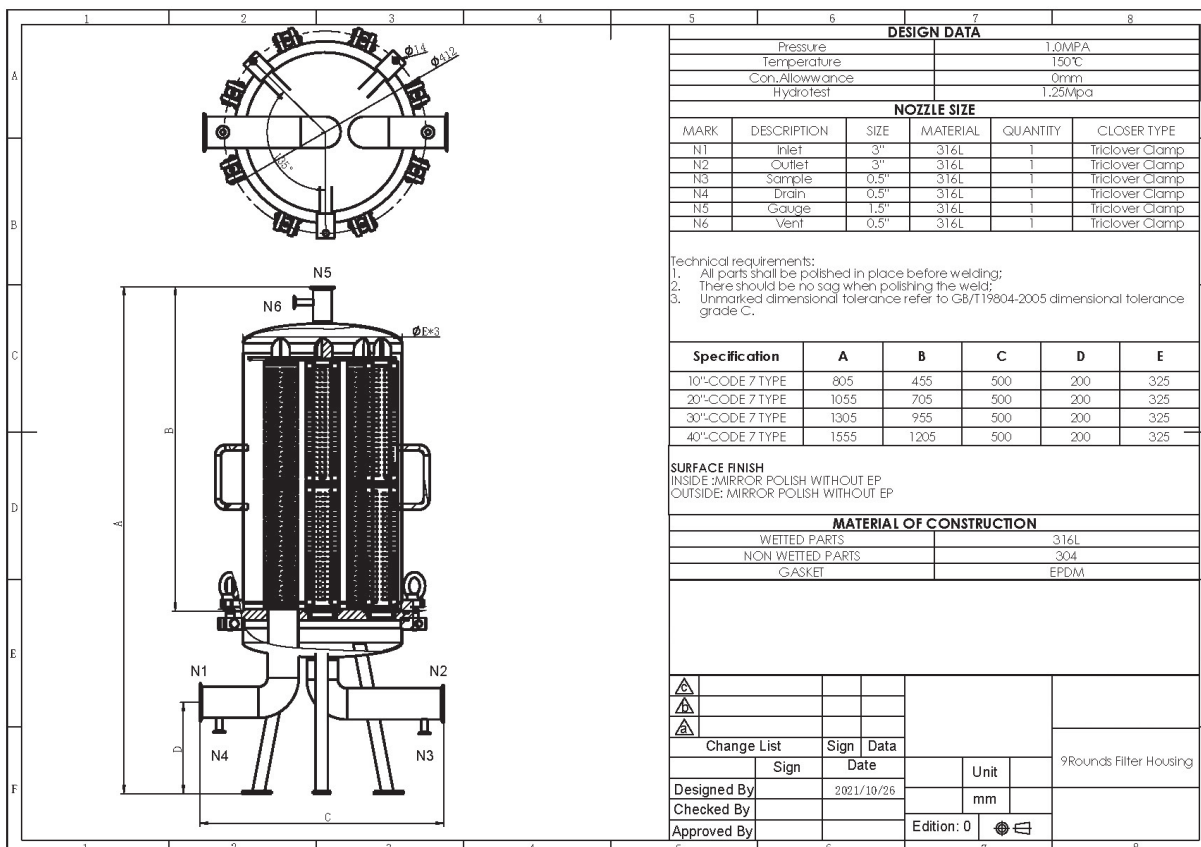
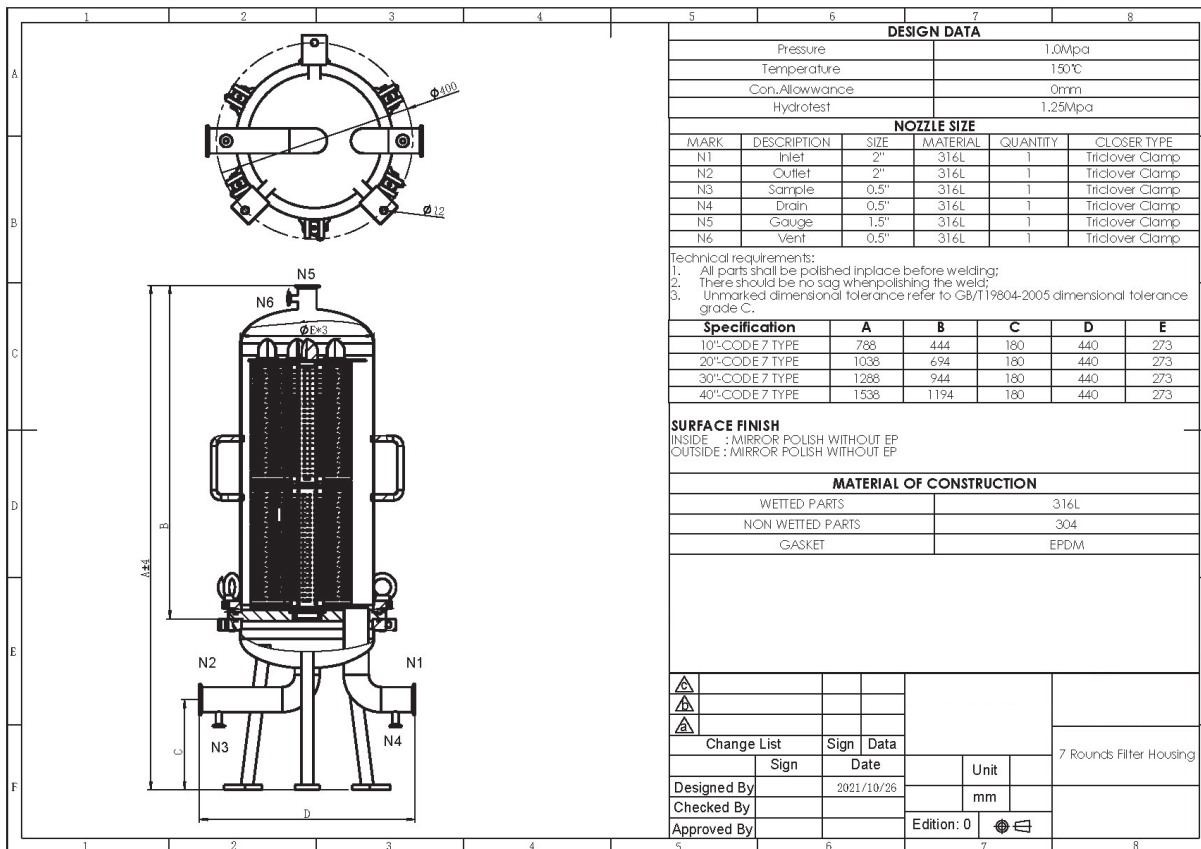
SANITARY FILTER HOUSING

PS



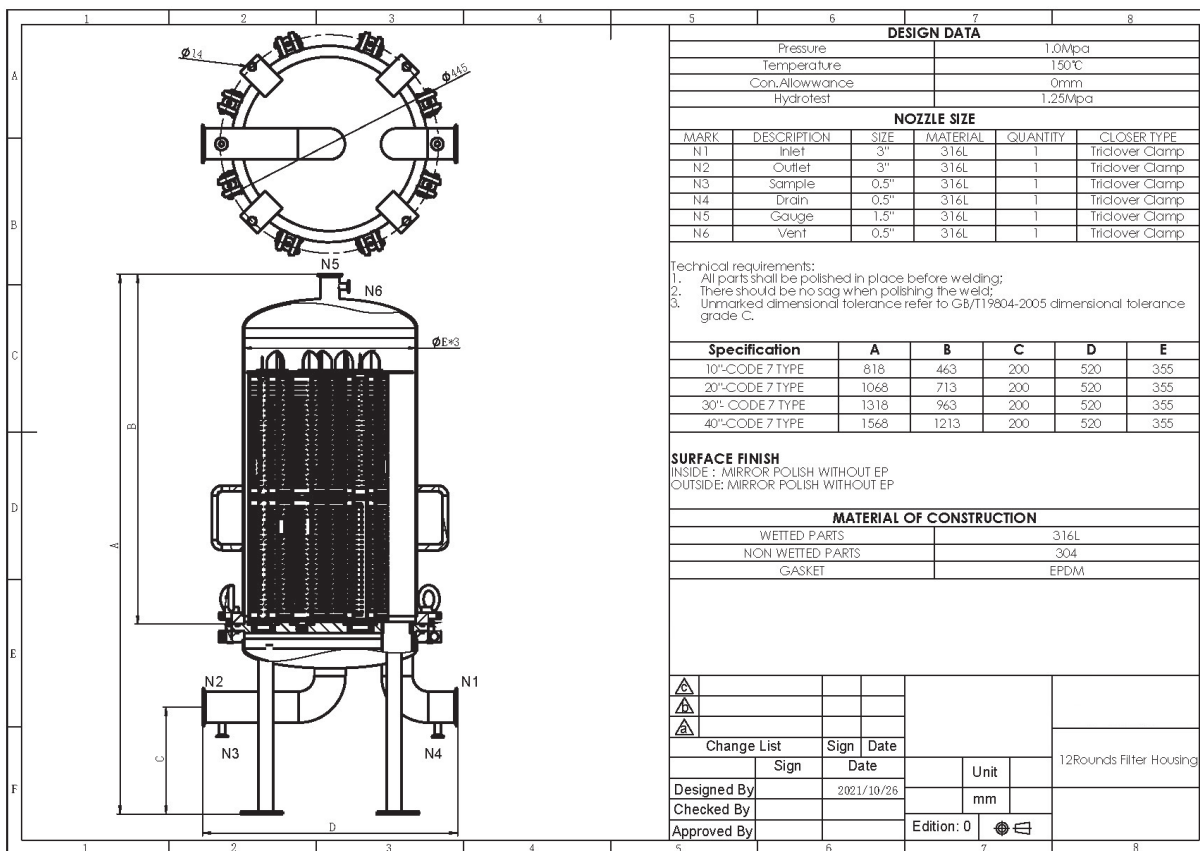
SANITARY FILTER HOUSING

PS



SANITARY FILTER HOUSING

PS



DESIGN DATA																														
Pressure					1.0Mpa																									
Temperature					150°C																									
Con.Allowwance					0mm																									
Hydrotest					1.25Mpa																									
NOZZLE SIZE																														
MARK	DESCRIPTION	SIZE	MATERIAL	QUANTITY	CLOSER TYPE																									
N1	Inlet	3"	316L	1	Triclover Clamp																									
N2	Outlet	3"	316L	1	Triclover Clamp																									
N3	Sample	0.5"	316L	1	Triclover Clamp																									
N4	Drain	0.5"	316L	1	Triclover Clamp																									
N5	Gauge	1.5"	316L	1	Triclover Clamp																									
N6	Vent	0.5"	316L	1	Triclover Clamp																									
Technical requirements: 1. All parts shall be polished in place before welding; 2. There should be no sag when polishing the weld; 3. Unmarked dimensional tolerance refer to GB/T19804-2005 dimensional tolerance grade C.																														
Specification	A	B	C	D	E																									
10"-CODE 7 TYPE	818	463	200	520	355																									
20"-CODE 7 TYPE	1068	713	200	520	355																									
30"-CODE 7 TYPE	1318	963	200	520	355																									
40"-CODE 7 TYPE	1568	1213	200	520	355																									
SURFACE FINISH																														
INSIDE: MIRROR POLISH WITHOUT EP																														
OUTSIDE: MIRROR POLISH WITHOUT EP																														
MATERIAL OF CONSTRUCTION																														
WETTED PARTS			316L																											
NON WETTED PARTS			304																											
GASKET			EPDM																											
<table border="1"> <thead> <tr> <th>Change List</th> <th>Sign</th> <th>Date</th> <th>Unit</th> <th></th> </tr> </thead> <tbody> <tr> <td></td> <td></td> <td>2021/10/26</td> <td>mm</td> <td></td> </tr> <tr> <td>Designed By</td> <td></td> <td></td> <td></td> <td></td> </tr> <tr> <td>Checked By</td> <td></td> <td></td> <td></td> <td></td> </tr> <tr> <td>Approved By</td> <td></td> <td></td> <td>Edition: 0</td> <td></td> </tr> </tbody> </table>						Change List	Sign	Date	Unit				2021/10/26	mm		Designed By					Checked By					Approved By			Edition: 0	
Change List	Sign	Date	Unit																											
		2021/10/26	mm																											
Designed By																														
Checked By																														
Approved By			Edition: 0																											
				12Rounds Filter Housing																										



THE SCANDINAVIAN FILTRATION PARTNER

SHOP ONLINE

At www.ultra-filter.com you will find a wide selection of filtration products ready for you to order.



www.ultra-filter.com

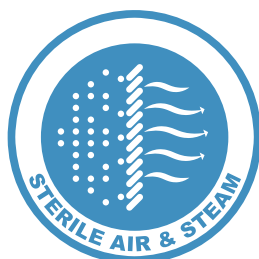
ABOUT US

Ultrafilter Scandinavia offers a wide selection of filtration products for compressed air, liquids and gas. We have stock in Denmark and from here we distribute all of our products to Scandinavia and the Baltic countries.

Ultrafilter Scandinavia is a part of the Ultrafilter group. Our production facility is in Germany and we have several subsidiaries in Europe and the United States.

You can buy our products on local websites. Information about our products as well as brochures and manuals can be found on our website (www.ultra-filter.com).

We can adapt all of our filtration products to your needs, and we offer visits from our consultants in order to find the right solution for you. We also offer on going service on our products once they are installed.



ULTRAFILTER SKANDINAVIEN APS

Sunekær 1
5471 Søndersø
Denmark

+45 82 30 30 20
info@ultra-filter.com
www.ultra-filter.com