

Fixtured applications

Contents

Introduction.....	165
Fixtured nutrunners QST.....	167
Fixtured nutrunners ETX.....	171
Fixtured presses PST.....	173
Power MACS.....	176
MSB, DB.....	177
Power Focus.....	180
ToolsTalk.....	182

With our vast experience, we are a supplier you can rely on

Atlas Copco is the world-leading supplier of fixtured solutions with nutrunners and press systems. Our vast experience of designing components for multiple nutrunner systems, combined with knowledge of building, commissioning and maintaining fixtured solutions, makes Atlas Copco a supplier you can rely on.

For fixtured nutrunner systems, Atlas Copco offers a complete portfolio of products designed to satisfy your needs. These range from individual components to operator controlled Multiples by Express® stations and demanding stitching applications. There are two different systems designed for fixtured applications, as well as user-friendly controller software.

Please contact your local Atlas Copco sales representative who will be pleased to discuss your needs.

POWER MACS 4000 AND QST NUTRUNNERS

A state-of-the-art, stand-alone system offering high reliability, accuracy and capability. The system is designed with user friendliness in mind and is easy to build and integrate into production lines.

POWER FOCUS 6000 AND QST NUTRUNNERS

The newest Atlas Copco controller now can offer the possibility to run QST and battery handheld tools in one single controller, bringing even more flexibility and commonality.

POWER FOCUS 4000 AND ETX NUTRUNNERS

A flexible solution that makes it possible to run durable and accurate fixtured nutrunners on the Power Focus controller designed for hand-held tools.

POWER MACS 4000 AND PST PRESSES

Design to be the most compact and efficient press in the market, PST system delivers both high productivity and full commonality with Power MACS 4000 systems.



TOOLSTALK SOFTWARE

ToolsTalk software for Power MACS 4000 has been developed with user-friendliness and customer adaptation in mind. This Window-based program can be installed on a station PC, a laptop or a back office PC.



Power MACS 4000 stand alone system – small, cost efficient and powerful. No need for bulky cabinets.

Nutrunners to match your needs

The QST nutrunner is a true state-of-the-art product. Partnered with the Power Focus 6000 or the Power MACS 4000 tightening controller, QST offers one of the most advanced and reliable tightening solutions on the market. ETX nutrunners are compact, durable and easy to integrate. Since ETX is controlled by the Power Focus, like the Tensor ST tools, it is possible to achieve 100% controller commonality in a line.

QST AND ETX NUTRUNNERS – COMMON FEATURES

Designed specifically for fixtured systems, these two reliable, durable nutrunners have many common features.

With QST and ETX nutrunners pilot mount or sandwich are possible. Different socket holder lengths (0-200 mm) permit access to applications or parts with tight clearances. For longer bolt lengths, spring travel can be increased from the standard 50 mm to 76 or 100 mm on request.

A built-in memory chip in QST and ETX nutrunners stores calibration values and general tool and service data. Both tools are ISO certified to +/- 2.5% accuracy and 1 million duty cycles on hard and soft joints.

QST AND ETX – DIFFERENT FEATURES

The QST nutrunner is available in inline, off-set, angle head, angle head travel, U-shaped, angle, SPN and co-axial designs. The ETX comes in inline, offset and angle head versions.

Connectors on both tools are designed to provide cable management flexibility. The robust connector and pin design on the QST is adjustable in 2 DOF. The ETX has a rotatable single connector.

QST offers a standard torque range of 2-1,750 Nm (up to 8,000 on request) and has a 60 m cable. ETX has a torque range of 6-950 Nm and a cable length of 25 m.

QST NUTRUNNERS – EXTRA FEATURES

- Digital communication between nutrunner and controller.
- Hot Swap – replace cable or spindle without turning off the power.
- Increased speed characteristics, up to 3,000 rpm.
- Optional redundant angle encoder and transducer.
- MTBF better than 5 million cycles under normal conditions.



- Inline nutrunner, CT – Equipped with commutation sensor and transducer.
- Off-set nutrunner, COT – Comes with a commutation sensor, off-set gears for narrow bolts and transducer.
- Extended spring travel 76 mm and 100 mm – Nutrunners with extended spring travel for longer bolt lengths.
- Dual transducers, CTT – Nutrunners with dual torque transducer feedback.
- Dual transducers and angle feedback, CATT – Nutrunners with dual angle and torque transducer feedback.
- Angle head nutrunners, CTV – Nutrunners with angle heads. Available with or without travel.



QST COT



QST CT

Model	Travel mm	Torque range		Speed r/min	Min C-C	Weight		Gear ratio	Socket holder size in	Ordering No.
		Nm	ft lb			kg	lb			
QST34-8CT-T50-L150-H6	50	2-8	1.5-6	3000	34	2	4.4	7.428	1/4	8435 6000 10
QST34-20CT-T50-L150-H10	50	4-20	2.9-14.7	1000	34	2	4.4	21.2	3/8	8435 6010 10
QST42-20CT-T50-L134 -H10	50	6-20	4-14	2000	43	3.1	6.9	7.50	3/8	8435 6020 10
QST42-20COT-T50-L134-H10	50	6-20	4-14	2000	31	4.2	9.3	7.5	3/8	8435 6020 20
QST42-50CT-T50-L134-H13	50	10-50	7-35	700	43	3.8	8.4	21.33	1/2	8435 6030 10
QST42-50COT-T50-L134-H13	50	10-50	7-35	700	31	4.5	9.9	21.33	1/2	8435 6030 20
QST50-90CT-T50-L137-H13	50	20-90	15-65	650	51	5.8	12.7	18.21	1/2	8435 6040 10
QST50-90COT-T50-L137-H13	50	20-90	15-65	650	37	7.8	17.2	18.21	1/2	8435 6040 20
QST50-150CT-T50-L137-H13	50	30-150	22-110	380	51	5.8	12.8	31.24	1/2	8435 6050 10
QST50-150COT-T50-L137-H13	50	30-150	22-110	380	37	7.8	17.2	31.24	1/2	8435 6050 20
QST62-150CT-T50-L152-H13	50	30-150	22-110	450	63	10.2	22.5	13.94	1/2	8435 6060 10
QST62-150COT-T50-L152 -H13	50	30-150	22-110	450	45	12.8	28.2	13.94	1/2	8435 6060 20
QST62-230CT-T50-L152-H19	50	40-230	29-170	330	63	10.2	22.5	19.04	3/4	8435 6065 10
QST62-230COT-T50-L152-H19	50	40-220	29-162	330	45	12.8	28.2	19.04	3/4	8435 6065 20
QST62-350CT-T50-L152-H19	50	50-350	37-258	220	63	10.2	22.5	28.33	3/4	8435 6070 10
QST62-350COT-T50-L152-H19	50	50-330	37-243	220	45	12.8	28.2	28.33	3/4	8435 6070 20
QST80-450CT-T50-L146-H19	50	90-450	66-332	260	81	16.7	37	22.67	3/4	8435 6075 10
QST80-450COT-T50-L146-H19	50	90-450	66-332	260	55	21	46	22.67	3/4	8435 6075 20
QST80-600CT-T50-L146-H19	50	120-600	88-442	200	81	17	37	29.56	3/4	8435 6080 10
QST80-600COT-T50-L146-H19	50	120-600	88-442	200	55	21	46	29.56	3/4	8435 6080 20
QST90-750CT-T50-L152-H25	50	150-750	111-553	150	91	25	55	38.89	1	8435 6085 10
QST90-750COT-T50-L152-H25	50	150-750	111-553	150	63	29	64	38.89	1	8435 6085 20
QST90-1000CT-T50-L152-H25	50	200-1000	147-737	130	91	26	57	46.84	1	8435 6090 10
QST90-1000COT-T50-L152-H25	50	200-1000	147-737	130	63	30	66	46.84	1	8435 6090 20
QST95-1750CT-T50-L149-H38	50	350-1750	258-1291	60	96	28	61.7	98.21	1 1/2	8435 6095 10
QST95-1750COT-T50-L155-H38	50	350-1750	258-1291	60	73	43	94.8	98.21	1 1/2	8435 6095 20
Extended spring travel 76 mm and 100 mm										
QST42-20CT-T76-L189-H10	76	6-20	4-14	2000	43	3.1	6.9	7.5	3/8	8435 6020 11
QST42-50CT-T76-L189-H13	76	10-50	7-35	700	43	3.8	8.4	21.3	1/2	8435 6030 11
QST50-90CT-T76-L200-H13	76	20-90	15-65	650	51	5.8	12.7	18.2	1/2	8435 6040 11
QST50-150CT-T76-L200-H13	76	30-150	22-110	380	51	5.8	12.8	31.2	1/2	8435 6050 11
QST62-230CT-T76-L200-H19	76	40-230	29-170	330	63	10.2	22.5	19	3/4	8435 6065 11
QST62-350CT-T76-L200-H19	76	50-350	37-258	220	63	10.2	22.5	28.3	3/4	8435 6070 11
QST80-450CT-T76-L214-H19	76	90-450	66-332	260	81	17	37	22.67	3/4	8435 6075 11
QST80-600CT-T76-L214-H19	76	120-600	88-442	200	81	17	37	29.6	3/4	8435 6080 11
QST90-750CT-T76-L176-H25	76	150-750	111-553	150	63	29	64	38.89	1	8435 6085 11
QST90-1000CT-T76-L176-H25	76	200-1000	147-737	130	91	26	57	46.8	1	8435 6090 11
QST42-50CT-T100-L191-H13	100	10-50	7-35	700	43	3.8	8.4	21.3	1/2	8435 6030 12
QST50-150CT-T100-L186-H13	100	30-150	22-110	380	51	5.8	12.8	31.2	1/2	8435 6050 12

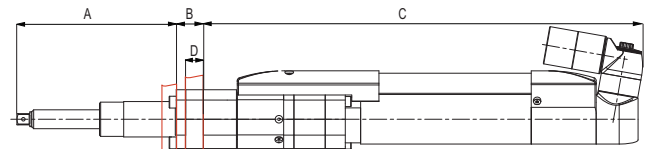
Model	Travel mm	Torque range		Speed r/min	Min C-C	Weight		Gear ratio	Socket holder size in	Ordering No.
		Nm	ft lb			kg	lb			
Dual transducers, CTT										
QST42-20CTT-T50-L134-H10	50	6-20	4-14	2000	43	3.1	6.9	7.5	3/8	8435 6020 50
QST42-20COTT-T50-L134-H10	50	6-20	4-14	2000	31	4.2	9.3	7.5	3/8	8435 6020 60
QST42-50CTT-T50-L134-H13	50	10-50	7-35	700	43	3.8	8.4	21.33	1/2	8435 6030 50
QST42-50COTT-T50-L134-H13	50	10-50	7-35	700	31	4.5	9.9	21.33	1/2	8435 6030 60
QST50-90CTT-T50-L137-H13	50	20-90	15-65	650	51	5.8	12.7	18.21	1/2	8435 6040 50
QST50-90COTT-T50-L137-H13	50	20-90	15-65	650	37	7.8	17.2	18.21	1/2	8435 6040 60
QST50-150CTT-T50-L137-H13	50	30-150	22-110	380	51	5.8	12.8	31.24	1/2	8435 6050 50
QST50-150COTT-T50-L137-H13	50	30-150	22-110	380	37	7.8	17.2	31.24	1/2	8435 6050 60
QST62-150CTT-T50-L152-H13	50	30-150	22-110	450	63	10.2	22.5	13.94	1/2	8435 6060 50
QST62-150COTT-T50-L152-H13	50	30-150	22-110	450	45	12.8	28.2	13.94	1/2	8435 6060 60
QST62-230CTT-T50-L152-H19	50	40-230	29-170	330	63	10.2	22.5	19.04	3/4	8435 6065 50
QST62-230COTT-T50-L152-H19	50	40-220	29-162	330	45	12.8	28.2	19.04	3/4	8435 6065 60
QST62-350CTT-T50-L152-H19	50	50-350	37-258	220	63	10.2	22.5	28.33	3/4	8435 6070 50
QST62-350COTT-T50-L152-H19	50	50-330	37-243	220	45	12.8	28.2	28.33	3/4	8435 6070 60
QST80-450CTT-T50-L146-H19	50	90-450	66-332	260	81	16.7	37	22.67	3/4	8435 6075 50
QST80-450COTT-T50-L146-H19	50	90-450	66-332	260	55	21	46	22.67	3/4	8435 6075 60
QST80-600CTT-T50-L146-H19	50	120-600	88-442	200	81	17	37	29.56	3/4	8435 6080 50
QST80-600COTT-T50-L146-H19	50	120-600	88-442	200	55	21	46	29.56	3/4	8435 6080 60
QST90-750CTT-T50-L152-H25	50	150-750	111-553	150	91	25	55	38.89	1	8435 6085 50
QST90-750COTT-T50-L152-H25	50	150-750	111-553	150	63	29	64	38.89	1	8435 6085 60
QST90-1000CTT-T50-L152-H25	50	200-1000	147-737	130	91	26	57	46.84	1	8435 6090 50
QST90-1000COTT-T50-L152-H25	50	200-1000	147-737	130	63	30	66	46.84	1	8435 6090 60
Dual transducers and angle feedback, CATT										
QST42-20CATT-T50-L134-H10	50	6-20	4-14	2000	43	3.1	6.9	7.5	3/8	8435 6020 70
QST42-50CATT-T50-L134-H13	50	10-50	7-35	700	43	3.8	8.4	21.33	1/2	8435 6030 70
QST50-90CATT-T50-L137-H13	50	20-90	15-65	650	51	5.8	12.7	18.21	1/2	8435 6040 70
QST50-150CATT-T50-L137-H13	50	30-150	22-110	380	51	5.8	12.8	31.24	1/2	8435 6050 70
QST62-150CATT-T50-L152-H13	50	30-150	22-110	450	63	10.2	22.5	13.94	1/2	8435 6060 70
QST62-230CATT-T50-L152-H19	50	40-230	29-170	330	63	10.2	22.5	19.04	3/4	8435 6065 70
QST62-350CATT-T50-L152-H19	50	50-350	37-258	220	63	10.2	22.5	28.33	3/4	8435 6070 70
QST80-450CATT-T50-L146-H19	50	90-450	66-332	260	81	16.7	36.9	22.67	3/4	8435 6075 70
QST80-600CATT-T50-L146-H19	50	120-600	88-442	200	81	17	37	29.56	3/4	8435 6080 70
QST90-750CATT-T50-L152-H25	50	150-750	111-553	150	91	25	55	38.89	1	8435 6085 70
QST90-1000CATT-T50-L152-H25	50	200-1000	147-737	130	91	26	57	46.84	1	8435 6090 70
Angle head, CTV										
QST42-20CTV-P10		6-20	4-14	1200	28	3.5	7	11.6	3/8	9831 4077 27
QST42-20CTV-T25-H10	25	6-20	4-14	1200	28	5	11	11.6	3/8	9831 4077 57
QST42-30CTV-P10		6-30	4.5-22	440	36	3.5	7	11.6	3/8	9831 4077 26
QST42-30CTV-T25-H10	25	6-30	4.5-22	440	36	5.5	12	33	3/8	9831 4077 58
QST42-70CTV-P13		14-70	10-52	440	40	4.5	10	33	1/2	9831 4077 28
QST42-70CTV-T25-H13	25	14-70	10-52	450	40	5.5	12	33	1/2	9831 4077 59
QST50-170CTV-P13		34-170	25-125	210	52	6.8	15	56.2	1/2	9831 4078 38
QST50-170CTV-T50-H13	50	34-170	25-125	210	48	8.6	19	56.2	1/2	9831 4078 44
QST50-200CTV-H19		40-200	29-145	210	54	7	15	56.2	3/4	9831 4078 43
QST50-200CTV-T25-H19	25	40-200	29-145	210	54	9.5	21	56.2	3/4	9831 4078 46
QST50-200CTV-T50-H19	50	40-200	29-145	210	58	10	22	56.2	3/4	9831 4078 47
QST62-350CTV-H19		60-350	44-229	175	66	13.5	30	34.3	3/4	9831 4079 73
QST62-350CTV-T25-H19	25	60-350	44-229	175	67	16.5	36	34.3	3/4	9831 4087 10
QST62-600CTV-H25		120-600	88-440	100	109	16.5	33	93.5	1	9831 4087 02

Dimensions

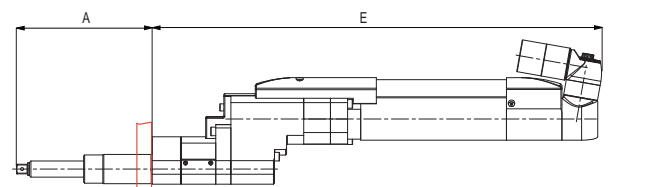
Model	A mm	B mm	C mm	D mm	E mm
Standard					
QST34-8CT-T50-L150-H6	150	16	359	10	–
QST34-20CT-T50-L150-H10	150	16	359	10	–
QST42-20CT-T50-L134-H10	134	23	395	15	–
QST42-20COT-T50-L134-H10	134.5	–	–	–	446
QST42-50CT-T50-L134-H13	134	23	422	15	–
QST42-50COT-T50-L134-H13	134.5	–	–	–	472
QST50-90CT-T50-L137-H13	137	23	464	15	–
QST50-90COT-T50-L137-H13	137	–	–	–	521
QST50-150CT-T50-L137-H13	137	23	464	15	–
QST50-150COT-T50-L137-H13	137	–	–	–	521
QST62-100CT-T50-L152-H13	152	25	517	15	–
QST62-150COT-T50-L152-H13	152.5	–	–	–	586
QST62-230CT-T50-L152-H19	152	25	517	15	–
QST62-230COT-T50-L152-H19	152.5	–	–	–	586
QST62-350CT-T50-L152-H19	152	25	517	15	–
QST62-350COT-T50-L152-H19	152	–	–	–	592
QST80-450CT-T50-L146-H19	146	30	595	20	–
QST80-450COT-T50-L146-H19	146	–	–	–	685
QST80-600CT-T50-L146-H19	146	30	595	20	–
QST80-600COT-T50-L146-H19	146	–	–	–	685
QST90-750CT-T50-L152-H25	152	32	600	20	–
QST90-750COT-T50-L152-H25	153	–	–	–	705
QST90-1000CT-T50-L152-H25	152	32	600	20	–
QST90-1000COT-T50-L152-H25	153	–	–	–	710
QST95-1750CT-T50-L149-H38	149	32	651	20	–
QST95-1750COT-T50-L155-H38	155	–	–	–	796

Model	A mm	B mm	C mm	D mm	E mm
Dual transducers and angle feedback, CATT					
QST42-20CATT-T50-L134-H10	134	23	395	15	–
QST42-50CATT-T50-L134-H13	134	23	422	15	–
QST50-90CATT-T50-L137-H13	137	23	464	15	–
QST50-150CATT-T50-L137-H13	137	23	464	15	–
QST62-150CATT-T50-L152-H13	152	25	542	15	–
QST62-230CATT-T50-L152-H19	152	25	542	15	–
QST62-350CATT-T50-L152-H19	152	25	542	15	–
QST80-450CATT-T50-L146-H19	146	30	595	20	–
QST80-600CATT-T50-L146-H19	146	30	595	20	–
QST90-750CATT-T50-L152-H25	152	32	600	20	–
QST90-1000CATT-T50-L152-H25	152	32	600	20	–
Angle head					
QST42-20CTV-P10	65	–	–	8	409
QST42-20CTV-T25-H10	–	–	–	–	–
QST42-30CTV-P10	83	–	–	8	435
QST42-30CTV-T25-H10	–	–	–	–	525
QST42-70CTV-P13	84	–	–	15	432
QST42-70CTV-T25-H13	–	–	–	–	526
QST50-170CTV-P13	135	–	–	15	481
QST50-170CTV-T50-H13	–	–	–	–	–
QST50-200CTV-H19	135	–	–	15	481
QST50-200CTV-T25-H19	135	–	–	15	481
QST50-200CTV-T50-H19	135	–	–	15	481
QST62-350CTV-H19	153	–	–	14	564
QST62-350CTV-T25-H19	153	–	–	14	564
QST62-600CTV-H25	174	–	–	14	564

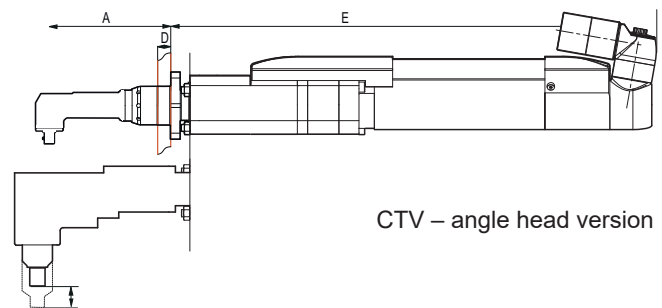
Model	A mm	B mm	C mm	D mm	E mm
Extended spring travel 76 mm and 100 mm					
QST42-20CT-T76-L189-H10	189	23	421	15	–
QST42-50CT-T76-L189-H13	189	23	447	15	–
QST50-90CT-T76-L200-H13	200	25	493	15	–
QST50-150CT-T76-L200-H13	200	25	493	15	–
QST62-230CT-T76-L200-H19	200	25	543	15	–
QST62-350CT-T76-L200-H19	200	25	543	15	–
QST80-450CT-T76-L214-H19	214	43	595	20	–
QST80-600CT-T76-L214-H19	214	43	595	20	–
QST90-750CT-T76-L176-H25	176	32	600	20	–
QST90-1000CT-T76-L176-H25	176	32	650	20	–
QST42-50CT-T100-L191-H13	191	23	519	15	–
QST50-150CT-T100-L186-H13	186	23	563	15	–
Dual transducers, CTT					
QST42-20CTT-T50-L134-H10	134	23	395	15	–
QST42-20COTT-T50-L134-H10	134	–	–	–	446
QST42-50CTT-T50-L134-H13	134	23	422	15	–
QST42-50COTT-T50-L134-H13	134	–	–	–	472
QST50-90CTT-T50-L137-H13	137	23	464	15	–
QST50-90COTT-T50-L137-H13	137	–	–	–	521
QST50-150CTT-T50-L137-H13	137	23	464	15	–
QST50-150COTT-T50-L137-H13	137	–	–	–	521
QST62-150CTT-T50-L152-H13	152	25	542	15	–
QST62-150COTT-T50-L152-H13	137	–	–	–	521
QST62-230CTT-T50-L152-H19	152	25	542	15	–
QST62-230COTT-T50-L152-H19	152.5	–	–	–	586
QST62-350CTT-T50-L152-H19	152	25	542	15	–
QST62-350COTT-T50-L152-H19	152	–	–	–	592
QST80-450CTT-T50-L146-H19	146	30	595	20	–
QST80-450COTT-T50-L146-H19	146	–	–	–	685
QST80-600CTT-T50-L146-H19	146	30	595	20	–
QST80-600COTT-T50-L146-H19	146	–	–	–	685
QST90-750CTT-T50-L152-H25	146	30	595	20	–
QST90-750COTT-T50-L152-H25	103	–	–	–	706
QST90-1000CTT-T50-L152-H25	152	32	600	20	–
QST90-1000COTT-T50-L152-H25	153	–	–	–	710



CT – straight version



COT – off-set version



CTV – angle head version

Optional Accessories

QST AND PST CABLES AND EXTENSIONS FOR POWER MACS 4000

Length	Ordering No.
2 m	4220 3799 02
3 m	4220 3799 03
5 m	4220 3799 05
7 m	4220 3799 07
10 m	4220 3799 10
15 m	4220 3799 15
20 m	4220 3799 20
25 m	4220 3799 25
30 m	4220 3799 30
35 m	4220 3799 35
40 m	4220 3799 40



Cable and extension

QST CABLES AND EXTENSIONS FOR POWER FOCUS 6000

Length	Ordering No.
2	4220 4715 02
3	4220 4715 03
5	4220 4715 05
7	4220 4715 07
10	4220 4715 10
15	4220 4715 15

ADDITIONAL SOCKET HOLDERS



Additional socket holder length

	A mm	Product No.	Socket holder size in	Socket holder ^a Ordering No.
QST42-20CT				
	0 ^b	8435 6020 10	3/8	4230 1818 00
	50	8435 4083 08	3/8	4230 2217 00
	100	8435 4083 10	3/8	4230 2217 01
	150	8435 4083 12	3/8	4230 2217 02
	200	8435 4083 14	3/8	4230 2217 03
QST42-50CT				
	0 ^b	8435 6030 10	1/2	4230 1819 00
	50	8435 4083 19	1/2	4230 2218 00
	100	8435 4083 21	1/2	4230 2218 01
	150	8435 4083 23	1/2	4230 2218 02
	200	8435 4083 25	1/2	4230 2218 03
QST50-90CT				
	0 ^b	8435 6040 10	1/2	4230 1820 00
	50	8435 4083 28	1/2	4230 2219 00
	100	8435 4083 29	1/2	4230 2219 01
	150	8435 4083 30	1/2	4230 2219 02
	200	8435 4083 31	1/2	4230 2219 03
QST50-150CT				
	0 ^b	8435 6050 10	1/2	4230 1820 00
	50	8435 4083 68	1/2	4230 2219 00
	100	8435 4083 33	1/2	4230 2219 01
	150	8435 4083 34	1/2	4230 2219 02
	200	8435 4083 35	1/2	4230 2219 03

	A mm	Product No.	Socket holder size in	Socket holder ^a Ordering No.
QST62-150CT				
	0 ^b	8435 6060 10	1/2	4230 1829 00
	50	8435 4083 37	1/2	4230 2223 00
	100	8435 4083 40	1/2	4230 2223 01
	150	8435 4083 43	1/2	4230 2223 02
	200	8435 4083 46	1/2	4230 2223 03
	0	8435 4083 70	5/8	4230 1821 00
	50	8435 4083 38	5/8	4230 2224 00
	100	8435 4083 41	5/8	4230 2224 01
	150	8435 4083 44	5/8	4230 2224 02
	200	8435 4083 47	5/8	4230 2224 03
QST62-230CT				
	0	8435 4083 81	5/8	4230 1821 00
	50	8435 4083 83	5/8	4230 2224 00
	100	8435 4083 98	5/8	4230 2224 01
	150	8435 4083 88	5/8	4230 2224 02
	200	8435 4083 91	5/8	4230 2224 03
	0 ^b	8435 5170 10	3/4	4230 1822 00
	50	8435 4083 84	3/4	4230 2226 00
	100	8435 4083 86	3/4	4230 2226 01
	150	8435 4083 89	3/4	4230 2226 02
	200	8435 4083 92	3/4	4230 2226 03
QST62-350CT				
	0	8435 4083 72	5/8	4230 1821 00
	50	8435 4083 53	5/8	4230 2224 00
	100	8435 4083 56	5/8	4230 2224 01
	150	8435 4083 59	5/8	4230 2224 02
	200	8435 4083 62	5/8	4230 2224 03
	0 ^b	8435 6070 10	3/4	4230 1822 00
	50	8435 4083 54	3/4	4230 2226 00
	100	8435 4083 57	3/4	4230 2226 01
	150	8435 4083 60	3/4	4230 2226 02
	200	8435 4083 63	3/4	4230 2226 03

^a This socket holder is included when you order the complete spindle.

^b This socket holder follows when you order the standard nutrunner.

NOTE: The spindle travel is 50 mm for all sockets holders.

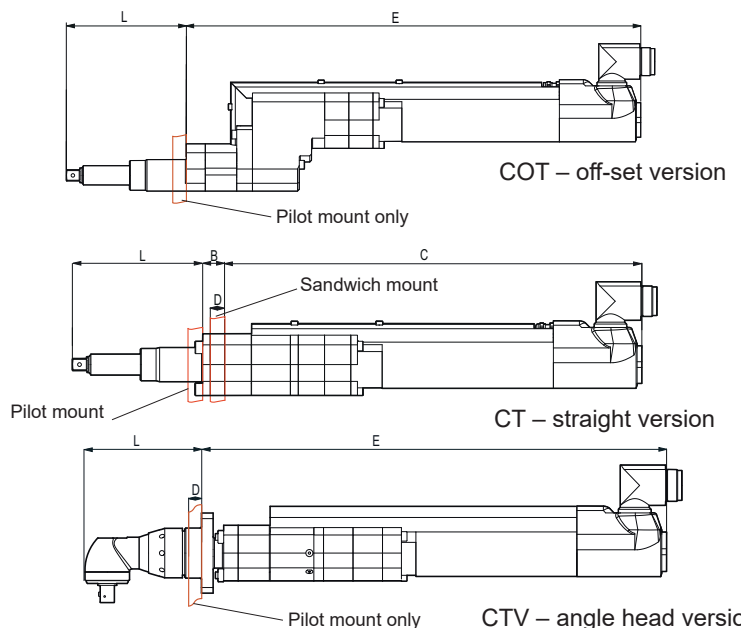
- Inline nutrunner, CT – Equipped with commutation sensor and transducer.
- Off-set nutrunner, COT – Comes with a commutation sensor, off-set gears for narrow bolts and transducer.
- Extended spring travel 76 mm and 100 mm – Nutrunners with extended spring travel for longer bolt lengths.
- Angle head nutrunners, CTV – Nutrunners with angle heads. Available with or without travel.
- Yield control is available for ETX.



Model	Travel mm	Torque range		Speed r/min	Min C-C	Weight		Gear ratio	Socket holder size in	Ordering No.
		Nm	ft lb			kg	lb			
ETX42-20CT	50	6-20	4-14	2000	43	3.2	7.1	7.50	3/8	8435 5120 10
ETX42-20COT	50	6-20	4-14	2000	31	4.3	9.5	7.50	3/8	8435 5120 20
ETX42-50CT	50	10-50	7-35	700	43	3.5	7.7	21.33	1/2	8435 5130 10
ETX42-50COT	50	10-50	7-35	700	31	4.6	10.1	21.33	1/2	8435 5130 20
ETX50-90CT	50	20-90	15-65	650	51	5.9	13.0	18.21	1/2	8435 5140 10
ETX50-90COT	50	20-90	15-65	650	37	8.1	17.9	18.21	1/2	8435 5140 20
ETX50-150CT	50	30-150	22-110	380	51	5.8	12.8	31.24	1/2	8435 5150 10
ETX50-150COT	50	30-150	22-110	380	37	8.0	17.6	31.24	1/2	8435 5150 20
ETX62-150CT	50	30-150	22-110	450	63	9.5	20.9	13.94	1/2	8435 5160 10
ETX62-150COT	50	30-150	22-110	450	46	9.5	20.9	13.94	1/2	8435 5160 20
ETX62-230CT	50	40-230	29-170	330	63	10.2	22.5	19.04	3/4	8435 5170 10
ETX62-230COT	50	40-220	29-162	330	46	12.8	28.2	19.04	3/4	8435 5170 20
ETX62-350CT	50	50-350	37-258	220	63	10.2	22.5	28.33	3/4	8435 5180 10
ETX62-350COT	50	50-330	37-243	220	50	12.9	28.4	28.33	3/4	8435 5180 20
ETX72-450CT	50	90-450	65-331	160	73	11.3	25	41.6	3/4	8435 5182 10
ETX72-600CT	50	120-600	90-441	110	73	11.3	25	58.0	3/4	8435 5183 10
ETX72-600COT	50	120-580	90-425	110	55	17	37.5	57.99	3/4	8435 5183 20
ETX90-750CT	50	150-750	110-551	90	91	17.8	39	68.3	1	8435 5184 10
ETX90-950CT	50	200-950	150-699	70	91	17.8	39	90.0	1	8435 5185 10
Angle head tools										
ETX42-70CTV	-	15-70	11-50	355	45	4.9	10.8	21.33	1/2	8435 4072 07
ETX50-170CTV	-	22-170	16-125	200	50	9.1	20	31.24	1/2	8435 4073 04
ETX62-350CTV	-	50-350	37-221	175	70	13.9	28.9	19.04	3/4	8435 4074 72

Dimensions

Model	L mm	B mm	C mm	D mm	E mm
ETX42-20CT	134	23	363	15	-
ETX42-20COT	134	-	-	-	436
ETX42-50CT	134	23	389	15	-
ETX42-50COT	134	-	-	-	463
ETX50-90CT	137	23	439	15	-
ETX50-90COT	137	-	-	-	519
ETX50-150CT	137	23	439	15	-
ETX50-150COT	137	-	-	-	519
ETX62-150CT	152	25	506	15	-
ETX62-150COT	153	-	-	-	575
ETX62-230CT	152	25	506	15	-
ETX62-230COT	152	-	-	-	575
ETX62-350CT	152	25	506	15	-
ETX62-350COT	152	-	-	-	580
ETX72-450CT	146	30	580	20	-
ETX72-600CT	146	30	580	20	-
ETX72-600COT	146	-	-	-	672
ETX90-750CT	152	32	550	20	-
ETX90-950CT	152	32	550	20	-
ETX42-70CTV	85	-	-	15	422
ETX50-170CTV	133	-	-	15	479
ETX62-350CTV	153	-	-	15	553



Optional Accessories

CABLES

Model	Ordering No.
Tool cables	
2 m	4230 2195 02
5 m	4230 2195 05
7 m	4230 2195 07
10 m	4230 2195 10
15 m	4230 2195 15
20 m	4230 2195 20
Extension cables	
5 m	4220 1563 05
10 m	4220 1563 10
15 m	4220 1563 15

RBU

Model	Ordering No.
RBU-X	8433 0080 20
RBU-Gold	8433 0020 20



RBU-X



RBU-Gold

Additional socket holder length



ADDITIONAL SOCKET HOLDERS

	A mm	Product No.	Socket holder size in	Socket holder ^a Ordering No.
ETX42-20CT	0 ^b	8435 5120 10	3/8	4230 1818 00
	50	8435 4063 08	3/8	4230 2217 00
	100	8435 4063 10	3/8	4230 2217 01
	150	8435 4063 12	3/8	4230 2217 02
	200	8435 4063 14	3/8	4230 2217 03
ETX42-50CT	0 ^b	8435 5130 10	1/2	4230 1819 00
	50	8435 4063 19	1/2	4230 2218 00
	100	8435 4063 21	1/2	4230 2218 01
	150	8435 4063 23	1/2	4230 2218 02
	200	8435 4063 25	1/2	4230 2218 03
ETX50-90CT	0 ^b	8435 5140 10	1/2	4230 1820 00
	50	8435 4063 28	1/2	4230 2219 00
	100	8435 4063 29	1/2	4230 2219 01
	150	8435 4063 30	1/2	4230 2219 02
	200	8435 4063 31	1/2	4230 2219 03
ETX50-150CT	0 ^b	8435 5150 10	1/2	4230 1820 00
	50	8435 4063 68	1/2	4230 2219 00
	100	8435 4063 33	1/2	4230 2219 01
	150	8435 4063 34	1/2	4230 2219 02
	200	8435 4063 35	1/2	4230 2219 03
ETX62-150CT	0 ^b	8435 5160 10	1/2	4230 1829 00
	50	8435 4063 37	1/2	4230 2223 00
	100	8435 4063 40	1/2	4230 2223 01
	150	8435 4063 43	1/2	4230 2223 02
	200	8435 4063 46	1/2	4230 2223 03
	0	8435 4063 70	5/8	4230 1821 00
	50	8435 4063 38	5/8	4230 2224 00
	100	8435 4063 41	5/8	4230 2224 01
	150	8435 4063 44	5/8	4230 2224 02
	200	8435 4063 47	5/8	4230 2224 03

	A mm	Product No.	Socket holder size in	Socket holder ^a Ordering No.
ETX62-230CT	0	8435 4063 81	5/8	4230 1821 00
	50	8435 4063 83	5/8	4230 2224 00
	100	8435 4063 98	5/8	4230 2224 01
	150	8435 4063 88	5/8	4230 2224 02
	200	8435 4063 91	5/8	4230 2224 03
	0 ^b	8435 5170 10	3/4	4230 1822 00
	50	8435 4063 84	3/4	4230 2226 00
	100	8435 4063 86	3/4	4230 2226 01
	150	8435 4063 89	3/4	4230 2226 02
	200	8435 4063 92	3/4	4230 2226 03
ETX62-350CT	0	8435 4063 72	5/8	4230 1821 00
	50	8435 4063 53	5/8	4230 2224 00
	100	8435 4063 56	5/8	4230 2224 01
	150	8435 4063 59	5/8	4230 2224 02
	200	8435 4063 62	5/8	4230 2224 03
	0 ^b	8435 5180 10	3/4	4230 1822 00
	50	8435 4063 54	3/4	4230 2226 00
	100	8435 4063 57	3/4	4230 2226 01
	150	8435 4063 60	3/4	4230 2226 02
	200	8435 4063 63	3/4	4230 2226 03

^a This socket holder is included when you order the complete nutrunner.

^b This socket holder follows when you order the standard nutrunner.

NOTE: The spindle travel is 50 mm for all sockets holders.

- Lean and compact, PST press is equipped with the latest planetary roller screw capable to handle high speeds, accelerations and decelerations.
 - High accuracy and precise load readings thanks to load cell on outgoing shaft
 - Unique and compact mechanical gear unit delivering higher durability level compared to the market belt system.
 - PST can be ordered in a brake version. The brake can be used as parking or as holding brake.
- * Commonality through the standard and robust QST motor and smart cable connector which can be turned in 2 directions of freedom.



PST

Model	Push force		Pull force		Stroke mm	Speed mm/s	Weight		Min C-C distance mm	Ordering No.
	kN	KLBS	kN	KLBS			kg	lb		
PST5-200CUL	1-5	0.22-1.12	2	0.45	200	500	14.5	31.97	70	9831 4069 31
PST5-200CBUL	1-5	0.22-1.12	2	0.45	200	500	15.5	34.17	70	9831 4069 32
PST5-300CUL	1-5	0.22-1.12	2	0.45	300	500	16.5	36.38	70	9831 4069 33
PST5-300CBUL	1-5	0.22-1.12	2	0.45	300	500	17.5	38.58	70	9831 4069 34
PST5-200CUL -S	1-5	0.22-1.12	4	0.90	200	250	21.0	46.30	77	8435 4069 31
PST5-200CBUL -S	1-5	0.22-1.12	4	0.90	200	250	23.0	50.71	88	8435 4069 32
PST5-400CUL -S	1-5	0.22-1.12	4	0.90	400	250	25.0	55.12	77	8435 4069 33
PST5-400CBUL -S	1-5	0.22-1.12	4	0.90	400	250	27.0	59.52	88	8435 4069 34
PST10-50CUL	2-10	0.45-2.25	2	0.45	50	500	12.0	26.46	71	9831 4069 82
PST10-100CUL	2-10	0.45-2.25	2	0.45	100	500	13.0	28.66	71	9831 4069 81
PST10-200CUL	2-10	0.45-2.25	2	0.45	200	500	14.5	31.97	71	9831 4069 62
PST10-200CBUL	2-10	0.45-2.25	2	0.45	200	500	15.5	34.17	86	9831 4069 78
PST10-300CUL	2-10	0.45-2.25	2	0.45	300	500	16.5	36.38	71	9831 4069 64
PST10-300CBUL	2-10	0.45-2.25	2	0.45	300	500	17.5	38.58	86	9831 4069 67
PST10-200CUL -S	2-10	0.45-2.25	4	0.90	200	250	21.0	46.30	77	8435 4069 62
PST10-200CBUL-S	2-10	0.45-2.25	4	0.90	200	250	23.0	50.71	88	8435 4069 78
PST10-400CUL-S	2-10	0.45-2.25	4	0.90	400	250	25.0	55.12	77	8435 4069 64
PST10-400CBUL-S	2-10	0.45-2.25	4	0.90	400	250	27.0	59.52	88	8435 4069 67
PST20-200CUL-S	4-20	0.90-4.50	4	0.90	200	250	21.0	46.30	77	8435 4069 60
PST20-200CBUL-S	4-20	0.90-4.50	4	0.90	200	250	23.0	50.71	88	8435 4069 77
PST20-400CUL-S	4-20	0.90-4.50	4	0.90	400	250	25.0	55.12	77	8435 4069 63
PST20-400CBUL-S	4-20	0.90-4.50	4	0.90	400	250	27.0	59.52	88	843 54069 66
PST35-200CUL	7-35	1.57-7.87	7	1.57	200	255	44.0	97.00	90	9831 4069 48
PST35-200CBUL	7-35	1.57-7.87	7	1.57	200	255	59.0	130.07	90	9831 4069 42
PST35-400CUL	7-35	1.57-7.87	7	1.57	400	255	48.0	105.82	90	9831 4069 49
PST35-400CBUL	7-35	1.57-7.87	7	1.57	400	255	64.0	141.09	90	9831 4069 45
PST35-200CUL-S	7-35	1.57-7.87	10	2.25	200	255	44.0	97.00	105	8435 4069 48
PST35-200CBUL-S	7-35	1.57-7.87	10	2.25	200	255	59.0	130.07	105	8435 4069 42
PST35-400CUL-S	7-35	1.57-7.87	10	2.25	400	255	48.0	105.82	105	8435 4069 49
PST35-400CBUL-S	7-35	1.57-7.87	10	2.25	400	255	64.0	141.09	105	8435 4069 45
PST50-200CUL-S	10- 50	2.25-11.24	10	2.25	200	170	50.0	110.23	105	8435 4069 84
PST50-200CBUL-S	10- 50	2.25-11.25	10	2.25	200	170	58.0	127.87	105	8435 4069 43
PST50-400CUL-S	10- 50	2.25-11.26	10	2.25	400	170	57.0	125.66	105	8435 4069 44
PST50-400CBUL-S	10- 50	2.25-11.27	10	2.25	400	170	65.0	143.30	105	8435 4069 79
PST100-400CUL-S	20-100	4.50-22.50	20	4.50	200	130	180.0	396.83	192	8435 4069 40
PST100-400CBUL-S	20-100	4.50-22.50	20	4.50	200	130	200.0	440.92	192	8435 4069 39
PST100-200CBUL-S	20-100	4.50-22.50	20	4.50	400	130	200.0	440.92	192	8435 4069 35
PST100-200CUL-S	20-100	4.50-22.50	20	4.50	400	130	220.0	485.01	192	8435 4069 36

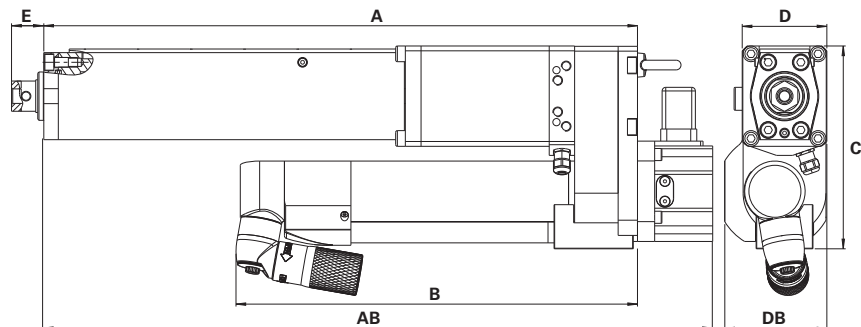
Dimensions

Model	A mm	B mm	AB mm	C mm	D mm	DB mm	E mm
PST5-200CUL	491	329	(-)	168	70	(-)	27
PST5-200CBUL	491	329	553	168	70	85	27
PST5-300CUL	591	329	(-)	168	70	(-)	27
PST5-300CBUL	591	329	653	168	70	85	27
PST5-200CUL -S	508	390	(-)	198	76	(-)	28.5
PST5-200CBUL -S	508	390	570	198	76	87	28.5
PST5-400CUL -S	708	390	(-)	198	76	(-)	28.5
PST5-400CBUL -S	708	390	770	198	76	87	28.5
PST10-50CUL	341	329	(-)	168	70	(-)	27
PST10-100CUL	391	329	(-)	168	70	(-)	27
PST10-200CUL	491	329	(-)	168	70	(-)	27
PST10-200CBUL	491	329	553	168	70	85	27
PST10-300CUL	591	329	(-)	168	70	(-)	27
PST10-300CBUL	591	329	553	168	70	85	27
PST10-200CUL -S	508	390	(-)	198	76	(-)	28.5
PST10-200CBUL-S	508	390	570	198	76	87	28.5
PST10-400CUL-S	708	390	(-)	198	76	(-)	28.5
PST10-400CBUL-S	708	390	770	198	76	87	28.5
PST20-200CUL-S	508	390	(-)	198	76	(-)	28.5
PST20-200CBUL-S	508	390	570	198	76	87	28.5
PST20-400CUL-S	708	390	(-)	198	76	(-)	28.5
PST20-400CBUL-S	708	390	770	198	76	87	28.5
PST35-200CUL	612.5	498	(-)	244	90	(-)	56
PST35-200CBUL	612.5	498	732	244	90	178	56
PST35-400CUL	812.5	498	(-)	244	90	(-)	56
PST35-400CBUL	812.5	498	932	244	90	178	56
PST35-200CUL-S	612.5	498	(-)	245	105	(-)	56
PST35-200CBUL-S	612.5	498	763	245	105	178	56
PST35-400CUL-S	812.5	498	(-)	245	105	(-)	56
PST35-400CBUL-S	812.5	498	963	245	105	178	56
PST50-200CUL-S	612.5	498	(-)	245	105	(-)	56
PST50-200CBUL-S	612.5	498	763	245	105	178	56
PST50-400CUL-S	812.5	498	(-)	245	105	(-)	56
PST50-400CBUL-S	812.5	498	963	245	105	178	56
PST100-400CUL-S	869	476	(-)	350	192	(-)	85
PST100-400CBUL-S	869	476	953	350	192	192	85
PST100-200CBUL-S	1069	476	(-)	350	192	(-)	85
PST100-200CUL-S	1069	476	1153	350	192	192	85

NAMING CONVENTION

Example: **PST 10-200CBUL**

- 10** Maximum pushig load kN
- 200** Maximum stroke length in mm
- C** Commutation sensor
- B** Brake
- U** U-shaped gear set
- L** Load cell



Optional Accessories

PST AND QST CABLES AND EXTENSIONS FOR POWER MACS 4000

Length	Ordering No.
2 m	4220 3799 02
3 m	4220 3799 03
5 m	4220 3799 05
7 m	4220 3799 07
10 m	4220 3799 10
15 m	4220 3799 15
20 m	4220 3799 20
25 m	4220 3799 25
30 m	4220 3799 30
35 m	4220 3799 35
40 m	4220 3799 40

Advanced process control and monitoring

State-of-the-art tightening controllers Power MACS 4000 and Power Focus with their advanced process control and monitoring functions, and supported by ToolsTalk software, can put your assembly operation on the path to zero-fault production.

POWER FOCUS 6000

The Power Focus 6000 is the perfect choice for safety critical assembly processes. It comes in one single hardware version regardless of which tool model or functionality level is used. Power Focus 6000 offers the possibility to run battery tools and the QST nutrunner, one of the most advanced and reliable tightening solutions on the market, in one single controller.

POWER MACS 4000

Power MACS 4000 is Atlas Copco's tightening and pressing controller for fixtured tools. It has effective tools for statistical process control to ensure that quality issues are identified long before they cause production problems.

The controller supports a zero-fault production philosophy with its capacity to collect tightening and pressing data for analysis, continuous improvement and traceability. PowerMACS processing power and memory are designed to handle and send large amounts of data without influencing the tightening process.

TOOLSTALK POWER MACS

The ToolsTalk software for Power MACS 4000 has been developed with user friendliness and customer adaptation in mind and can be installed on a laptop or a back office PC. It is available in two versions: Tightening and Pressing.



POWER MACS 4000

One primary controller is needed per system. The primary controller takes care of external communication and comes with most field busses used in modern production lines (optional). A primary controller can be run as a secondary controller.

The secondary controller comes in two versions; with or without Ethernet switch in the back plate.

- One servo covers the complete torque range from 2 to 8,000 Nm.
- One servo covers the complete force range from 5 to 100 KN.
- No external PC required, inherent back-up functionality for increased reliability.
- Define your tightening and pressing strategy based on results to make sure valuable time and resources are not wasted.
- Powerful PLC onboard.
- Reject Management enabling you to handle faulty tightening in the most efficient way.
- Extensive library of tested tightening strategies – each joint can be tightened in the best possible way in terms of cycle time and quality.
- Stand alone design (no need for bulky cabinets).
- 24V DC supply, integrated Ethernet switch, E-stop circuit.
- Informative display
- Integrated line filter.



TC-P

TC-S

POWER MACS 4000 CONTROLLERS

Model	Fieldbus version	Ordering No.
Primary controller		
TC-4000-P-ES	No Fieldbus	8435 6511 00
TC-4000-P-PB-ES	Profibus	8435 6511 10
TC-4000-P-DN-ES	DeviceNet	8435 6511 30
TC-4000-P-EIP-ES (1 port)	Ethernet IP	8435 6511 60
TC-4000-P-EIP-2P-ES (2 port)	Ethernet IP	8435 6511 62
TC-4000-P-MTCP-ES	ModBus TCP	8435 6511 70
TC-4000-P-PN-ES (1 port)	Profi Net	8435 6511 50
TC-4000-P-PN-2P-ES (2 port)	Profi Net	8435 6511 52
TC-4000-P-CC-ES	CC link	8435 6511 80
Secondary controller		
TC-4000-S	No fieldbus, No Ethernet switch	8435 6500 00
TC-4000-S-ES	No fieldbus, Ethernet switch	8435 6501 00

MAIN SWITCH BOX – MSB

The MSB is used for power distribution and makes power management easy. It is designed be fed with 380-480 V AC 3-phase without requiring an external transformer. The MSB leaves room for customer adaptations and the E-stop functionality can be upgraded from class 3 to class 4. Each MSB supplies up to 6 controllers with power.

DISTRIBUTION BOX – DB

The DB provides the same functionality as the MSB except for the main switch and is used as a complement to the MSB for systems with more than 6 channels.

GENERAL BOX – GB

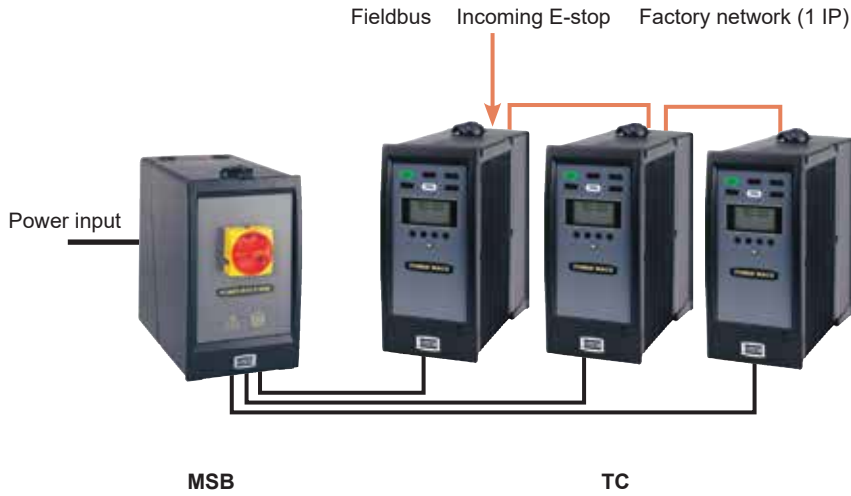
An empty DB, suitable for external system devices.



Model	Ordering No.
MSB	
Main switch box (Max 6 channels)	8435 5660 00
DB	
Distribution box (Max 6 channels) + Power cable 1800 mm	8435 6560 50
GB	
General box	4222 1249 85

EASY-TO-BUILD SYSTEM

 Power cables	4222 1248 xx	Ethernet cable	4222 1246 xx
 E-Stop cable	4222 1247 xx	Motor cable	4220 3799 xx



With the Power MACS 4000 controller, multiple-spindle systems are easy to configure. Simply refer to the system ordering table to see which components you need.

SYSTEM ORDERING TABLE FOR A SYSTEM WITH ONE STATION

No. of spindles	Number of				tool cables	System cable kit ^a
	TC-P	TC-S	MSB	DB		
1	1	0	1	0	1	1
2	1	1	1	0	2	1
3	1	2	1	0	3	1
4	1	3	1	0	4	1
5	1	4	1	0	5	1
6	1	5	1	0	6	1
7	1	6	1	1	7	1
8	1	7	1	1	8	1
9	1	8	1	1	9	1

No. of spindles	Number of				tool cables	System cable kit ^a
	TC-P	TC-S	MSB	DB		
10	1	9	1	1	10	1
11	1	10	1	1	11	1
12	1	11	1	1	12	1
13	1	12	1	2	13	1
14	1	13	1	2	14	1
15	1	14	1	2	15	1
16	1	15	1	2	16	1
17	1	16	1	2	17	1
18	1	17	1	2	18	1

^a See system cable kits below.

SYSTEM CABLE KIT

No. of spindles	Power cable			Ethernet cable			E-stop cable		Ethernet switch incl. Backplate 4222 0982 90	Ordering No. ^b
	1350 mm 4222 1248 13	1650 mm 4222 1248 16	1950 mm 4222 1248 19	1 m 4222 1246 01	2 m 4222 1246 02	3 m 4222 1246 03	1200 mm 4222 1247 12	3000 mm 4222 1247 30		
1	1	-	-	-	-	-	-	-	-	8435 6560 01
2	2	-	-	1	-	-	1	-	-	8435 6560 02
3	2	1	-	1	1	-	1	1	-	8435 6560 03
4	2	2	-	1	2	-	2	1	-	8435 6560 04
5	2	2	1	1	3	-	3	1	-	8435 6560 05
6	2	2	2	4	1	-	4	1	1	8435 6560 06
7	4	3	-	5	1	-	5	1	1	8435 6560 07
8	4	4	-	6	1	-	6	1	1	8435 6560 08
9	4	3	2	4	1	3	7	1	1	8435 6560 09
10	4	4	2	5	1	3	8	1	2	8435 6560 10
11	4	4	3	6	1	3	9	1	2	8435 6560 11
12	4	4	4	7	1	3	10	1	2	8435 6560 12
13	5	4	4	7	1	4	10	2	2	8435 6560 13
14	6	4	4	8	1	4	11	2	3	8435 6560 14
15	6	5	4	9	1	4	12	2	3	8435 6560 15
16	6	6	4	10	1	4	13	2	3	8435 6560 16
17	6	6	5	10	2	4	14	2	3	8435 6560 17
18	6	6	6	11	2	4	15	2	4	8435 6560 18

^b Based on Atlas Copco suggested set-up.

Optional Accessories

ETHERNET CABLES

Length	Ordering No.
0.5 m	4222 1246 00
1 m	4222 1246 01
2 m	4222 1246 02
3 m	4222 1246 03
5 m	4222 1246 05
10 m	4222 1246 10
15 m	4222 1246 15



Ethernet cable

E-STOP CABLES AND TERMINATION

Components	Length	Ordering No.
E-stop cable	1200 mm	4222 1247 12
E-stop cable	3000 mm	4222 1247 30
E-stop termination		4222 0755 00



E-stop cable

POWER CABLES BETWEEN MSB AND TC

Suitable for	Length	Ordering No.
TC1-TC2, TC7-TC8, TC13-TC14	1350 mm	4222 1248 13
TC3-TC4, TC9-TC10, TC15-TC16	1650 mm	4222 1248 16
TC5-TC6, TC11-TC12, TC17-TC18	1950 mm	4222 1248 19
For longer distances	5 m	4222 1248 50
	10 m	4222 1370 10
	15 m	4222 1370 15
	20 m	4222 1370 20



Power cable between MSB and TC

INDICATOR BOX AND CABLE

Model	Ordering No.	
Indicator box	8435 3010 04	
Indicator box cable to PM4K, 1 m	4243 0278 80	
Open end cable 5 m	4243 0281 05	
Extension cable	3 m	4243 0282 03
	5 m	4243 0282 05
	10 m	4243 0282 10
	15 m	4243 0282 15
	20 m	4243 0282 20
25 m	4243 0282 25	



Indicator box

OPERATOR HANDLE

Model	Ordering No.
Operator handle (ball joint/handle)	
- front/plastic	8435 3030 00
- front/rubber	8435 3030 01
- rear/plastic	8435 3030 02
- rear/rubber	8435 3030 03



Operator handle

POWER FOCUS 6000

This all new fastening solution from Atlas Copco takes productivity, ergonomics, quality and environmental impact to entirely new levels. And all this with the most user-friendly experience ever.

Enjoy the benefits of a system providing a unique operator experience, with superior quality control and the most flexible integration.

ONE PLATFORM

One platform for handheld and fixtured tools. The Power Focus 6000 reduces your inventory costs and training requirements.

Easy to connect and configure back up tools, using the same programming interface. More compatible solutions will continuously be deployed. And the Power Focus 6000 will be your common controller for all tools and needs.

MULTITOOL CONTROLLER

The Power Focus 6000 increases your flexibility in rebalancing assembly lines. Atlas Copco's virtual stations concept allows you to connect up to 6 tools to the same controller. Giving you a simpler installation with less cables, hardware components and network drops. Add to that the lower power consumption, less floor space utilization and a much lower environmental footprint, the benefits are obvious.

- Compatible with: Tensor STR, ST, STB, SR, ES, STwrench and QST.
- Connect up to 6 tools to the same controller with Virtual Stations
- Simpler installation with less cables, hardware components and network drops.
- Lower power consumption.
- Less floor space utilization.

IAM

Virtual stations, software, tightening data and configuration – all in one place. In the IAM two software areas allow for smart software management. Allowing a much safer upgrade process, always giving the possibility to switch between two software versions.



Power Focus 6000

Model	Ordering No.
Drive unit	
Power Focus 6000	8436 1800 02
IAMs	
Critical control	8436 0910 10
Process control	8436 0910 40
Software Features Electronic Delivery	
Virtual Station, 1 pcs	8436 1910 01
TurboTight, 1 pcs	8436 1910 02
TrueAngle, 1 pcs	8436 1910 03
SoftPLC, 1 pcs	8436 1910 04
Yield, 1 pcs	8436 1910 06
Gradient, 1 pcs	8436 1910 07
Software Features Physical Goods Delivery	
Virtual Station, 1 pcs	8436 1910 11
TurboTight, 1 pcs	8436 1910 21
TrueAngle, 1 pcs	8436 1910 31
SoftPLC, 1 pcs	8436 1910 41
Yield, 1 pcs	8436 1910 61
Gradient, 1 pcs	8436 1910 71
Fieldbus modules	
DeviceNet	8436 0940 10
Ethernet/IP 2 port	8436 0940 15
ProfiNet I/O 2 port	8436 0940 20
ProfiBus	8436 0940 05
Controller accessories	
FMS Portable	8436 1910 99
Power Focus 6000 Adapter plate	4222 1783 80
Power Focus 6000 Security seal	4222 1736 03

ADVANCED PROCESS CONTROL AND MONITORING FUNCTIONS

Power Focus is a modular range of controllers, with full flexibility, designed for applications ranging from single spindle hand-held operations to fixtured multiple nutrunning systems. Advanced process control and monitoring functions make it easy to view and collect data using the Ethernet infrastructure.

The Power Focus 4000 is available in two versions, Compact and Graph. The difference between them is the user interface, where the Graph features the color display and a full keyboard.

COMPACT

This version offers full functionality at a lower cost, but requires a PC with the ToolsTalk PF software for process set-up.

GRAPH

With the Graph hardware, you have full stand-alone programming possibilities. When networked, the Graph can function as a programming terminal for other Power Focus units.

RBU CUTS DOWNTIME

Atlas Copco's patented Rapid Backup Unit (RBU) concept transfers functionality to a non-configured hardware unit, ensuring that hardware can easily be upgraded should functionality requirements change. The RBU also acts as back-up for programming and configuration. If a change of hardware is required, just fit the RBU to the new hardware, switch on the unit and you're ready. All programming and network configurations are transferred in seconds. The RBU cuts downtime to a minimum.



Compact



Graph

POWER FOCUS 4000 AND ETX

Model	Ordering No.
Power Focus 4000 W 10	
PF 4000-G-HW	8433 7100 00
PF 4000-C-HW	8433 7100 05
PF 4000-G-DN- HW	8433 7140 00
PF 4000-C-DN-HW	8433 7140 05
PF 4000-G-PB-HW	8433 7142 00
PF 4000-C-PB-HW	8433 7142 05
PF 4000-G-CC-HW	8433 7143 00
PF 4000-C-CC-HW	8433 7143 05
PF 4000-G-PN-HW	8433 7148 00
PF 4000-C-PN-HW	8433 7148 05
PF 4000-G-EIP-HW	8433 7149 00
PF 4000-C-EIP-HW	8433 7149 05

CONTROLLER FUNCTIONALITY

Hardware key	Ordering No.
RBU-Gold	8433 0020 20
RBU-X	8433 0080 20

TOOLSTALK POWERMACS

The ToolsTalk software for PowerMACS 4000 has been developed with user friendliness and customer adaptation in mind. This Window-based program can be installed on a station PC, a laptop or a back office PC. ToolsTalk supports off-line programming; to edit or upload programs, simply connect the PC to the PowerMACS 4000 controller using an Ethernet cable.

- User friendly Windows programming interface with “drag-and-drop” and “copy-paste” functionalities.
- 10 levels of read and write security.
- Trace reporting on torque, angle, current, current as torque and time.
- Improved read-at-a-glance graphics with actual pictures of customer parts.
- Possible to view up to 20 tightening traces simultaneously.
- Graphical system map of hardware and software.
- Configurable cycle data menu for station reporting.
- Real time SPC and TDA reporting.
- Event logging of security access, parameter changes, errors, faults, alarms and warnings.
- Maintenance menus to verify hardware and software changes without machine intervention.
- Run the program in Basic or Advanced mode depending on needs.
- Quick-set functionality for trimming a process in seconds.
- Optimize each tightening by means of the tightening path for each bolt, including start times, stop times, and execution times for the steps.



TOOLSTALK POWER MACS WORLD RELEASE 10

	Designation	Ordering No.
1 user	English	8092 1308 01
5 user	English	8092 1308 05
10 user	English	8092 1308 10
Plant license	English	8092 1308 97
1 user	German	8092 1308 11
5 user	German	8092 1308 15
10 user	German	8092 1308 20
Plant license	German	8092 1308 98
1 user	French	8092 1308 21
5 user	French	8092 1308 25
10 user	French	8092 1308 30
Plant license	French	8092 1308 99

TOOLSTALK POWER MACS WORLD RELEASE 10 GAUGING

	Designation	Ordering No.
1 user	English	8092 1309 01
5 user	English	8092 1309 05
10 user	English	8092 1309 10
Plant license	English	8092 1309 97
1 user	German	8092 1309 11
5 user	German	8092 1309 15
10 user	German	8092 1309 20
Plant license	German	8092 1309 98
1 user	French	8092 1309 21
5 user	French	8092 1309 25
10 user	French	8092 1309 30
Plant license	French	8092 1309 99

TOOLSTALK POWER MACS 4000 PRESSING

	Designation	Ordering No.
1 User	English	8092 1310 01
5 Users	English	8092 1310 05
10 Users	English	8092 1310 10
Plant license	English	8092 1310 97