

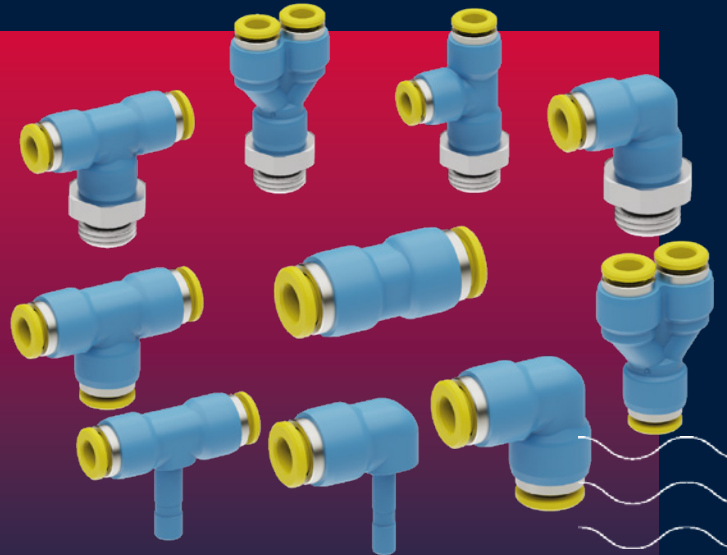
PK line

Push-in connectors made of the material polyketone (PK)

Compact, hygienic, versatile.

The PK push-in connector line is convincing in every aspect.

The program extension is fully compatible with the entire AVS Römer product portfolio.



Hygienic

- Dead space free due to AVS Römer hyperfit® sealing concept
- Easy to clean and rinse
- Quick medium change without any residues



Resistant

- Excellent chemical resistance
- Good dimensional stability and constant mechanical characteristics due to excellent hydrolysis resistance



Compact and performant

- Optimized installation space
- Full flow without cross-sectional restriction



Sustainable

- Low CO₂-footprint
- Environment-friendly in production, processing and disposal



Maximum flexibility

- Modular configuration
- Various geometries and sizes
- Push-in connector, plastic or metal thread possible
- FKM or EPDM as sealing material



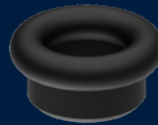
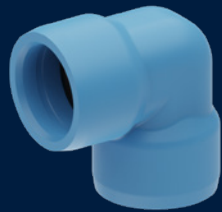
Versatile usage

- Temperatures up to 95°C
- Pressure range up to 20bar
- Sizes (Push-in): 4 to 12mm, 5/32 to 1/2 inch
- Threads (G or NPT): 1/8 to 3/8 inch



Configuration based on a modular principle:

Maximum flexibility



Bodies:

different geometries
and sizes

Sealing material:

hyperfit® molded seal
made of EPDM or FKM



Various connection options:



AVS Römer
press-in cartridge



Plastic thread



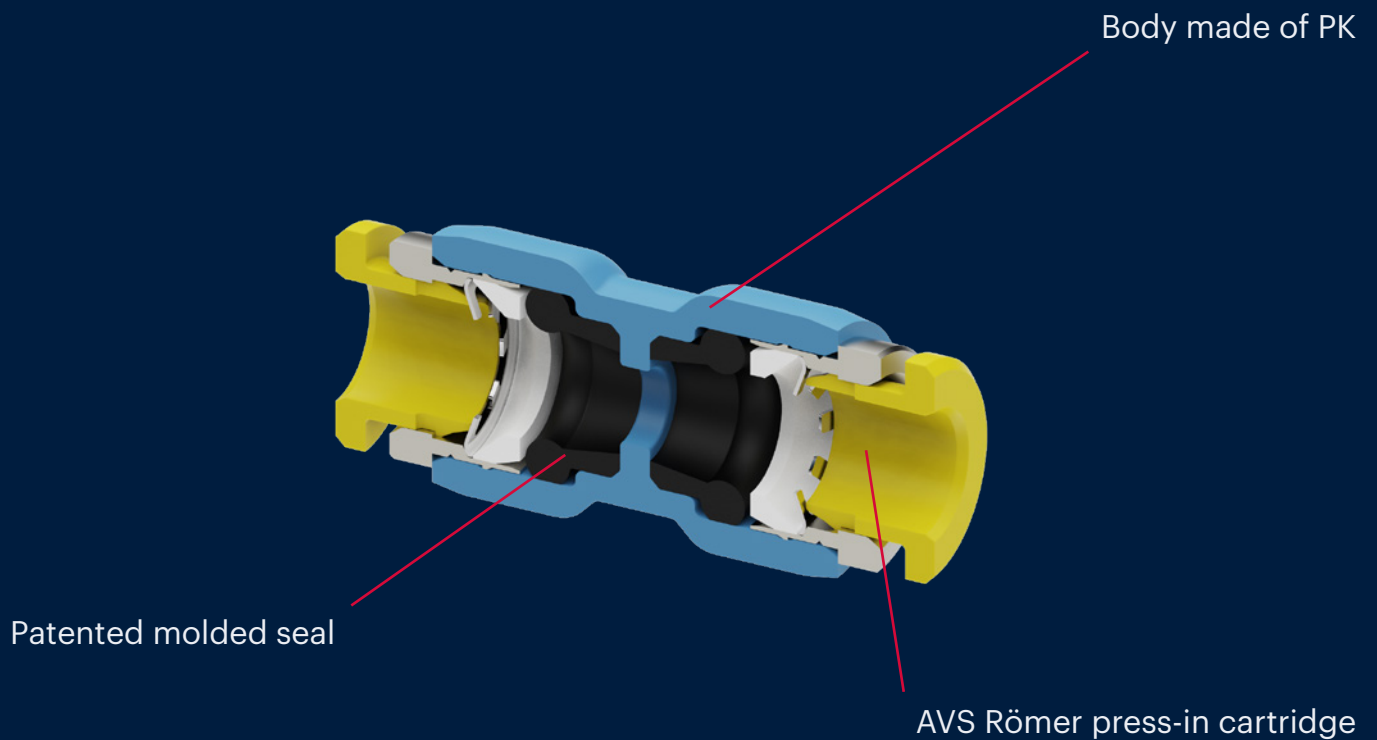
Metal thread



Adaptor



Versatile usage



AVS Römer hyperfit® sealing concept

The patented molded seal replaces the previous O-ring as sealing element. As a result, the patented dead space free concept prevents medium accumulation.

AVS Römer push-in principle

The proven AVS Römer push-in principle enables simple, tool-free assembly and disassembly of the AVS Römer hyperfit® push-in connector.



AVS Römer PK line



TECHNICAL SPECIFICATIONS

Sizes 4, 6, 8, 10 and 12mm;
5/32, 1/4, 5/16, 3/8 and 1/2inch

Thread 1/8 to 3/8

Pressure range up to 20bar

Temperature range EPDM: -10°C to 95°C
FKM: 0°C to 95°C

Materials in contact with media body: PK
sealing: EPDM or FKM
press-in nipple: MS lead-free,
1.4305, 1.4404 or PK



AVS Römer GmbH & Co. KG

Reismühle 3 • 94481 Grafenau • Phone: +49 8552 4076 300
info@avs-roemer.de • www.avs-roemer.com

V2023.09

