



Cable and pipe seals

FOR DATA CENTERS

We Seal Your World™



Secure business continuity

The Roxtec sealing system provides superior protection against fire, gas, and water. Our seals are used in data centers and server farms worldwide to eliminate air leakage and ensure nonstop operation. Roxtec solutions enable efficient energy use and continuous expansion.

Constant challenge

Whether you are building your own cutting-edge data hall or you are designing carrier neutral Tier 4 data centers for housing customers' computers, you have to deal with fundamental risks. Interrupted service or lost data is no option. Modern society rightfully expects data centers serving governmental agencies, hospitals, universities, banks, insurance companies and telecom operators to be operational at all times. You must also handle increased server density, power needs and heat loads in a green and economic way.

Reliable solutions

The demand for safety and fulfilled service agreements calls for more than a fire stop around cables and pipes passing through walls, raised floors and cabinet structures. Roxtec seals are not only tested

and approved according to various fire ratings. The excellent sealing features of the system also provide protection against pressure, blast load, humidity, flooding, dust, pests, climatic changes, and electro magnetic disturbances. Keeping tight is the best solution for optimized air management and reduced energy costs.

Long-term functionality

You attract customers and gain people's trust through quality in service, security and functionality. Equipped with redundant power supply and efficient air cooling systems, your data center is made to sustain. Our certified seals match these criteria very well – offering flexible solutions that combine top level safety with abilities for future upgrades.

- Gas-tight
- Fire-proof
- Watertight
- Simplifies upgrades
- Built-in spare capacity

Save time and energy



No air leakage

There are both environmental and financial advantages with our completely gas-tight sealing system. You avoid air gaps and other negative effects on the important air conditioning and cooling systems. You can easily control the facilities' climate and temperature, eliminating risks for equipment – and lowering your energy costs.

Address the real issue

The cooling infrastructure may use more power than the IT equipment itself, and energy costs tend to exceed any other costs over the life of a data center. Many green data centers around the globe use Roxtec seals to manage cooling and recycle excess heat.

Standardize for efficiency

Use our air-tight round or rectangular seals for single or multiple cables or pipes anywhere – in outer walls, between compartmentalized security zones and in control cabinets. The seals are adaptable to power, fiber, coax and signal cables as well as cooling pipes of different sizes and materials. The need for drilling holes is indeed reduced. You can even route pre-terminated cables in order to save time and avoid errors.

All in one kit solution

We supply standardized kits. Each kit has a specific part number to simplify planning and purchasing. As your project partner, we want to ensure savings all the way – from the design phase through to maintenance. When analyzing threats, price and benefits, you will realize that Roxtec is cost-efficient all the time, now as well as in the long run.

- Energy efficient
- Quick to install
- Easy to adapt
- Supplied in kits
- Easy to manage

Expand while operating



Modularity and scalability

There is a permanent need for expansion in the industry. Modular and containerized data centers are built with future needs in mind regarding space, power supply, redundancy, data storage capacity and sustainability. Our seals are perfectly designed for scalable projects.

Unlimited flexibility

The Roxtec sealing system is easy to open up, adapt, reconfigure and reseal – whenever customers or new regulations call for it. The seals make it easy to trace cables, and you can even install them around existing cables. With the Roxtec built-in spare capacity, you can add new cables, pipes, equipment and computers continuously – without adding costs!

Prepared for new business

You can carry out retrofit work anytime during operation, and you are always capable of handling last minute design changes. There is no risk of damage to existing cables and you do not have to shut down any services to make place for new equipment.

Gain the competitive edge

There is more to nonstop operation than keeping integrity and avoiding risks. If you want to be truly successful, you must be able to upgrade and expand or welcome new customers – while guaranteeing top quality and business continuity for existing ones.

Roxtec improves your data center

Discover some of the applications where the Roxtec sealing system is used to save energy and protect sensitive equipment in data centers.

On top of cabinet: Roxtec CF 32 cabinet seal is used to protect sensitive equipment.



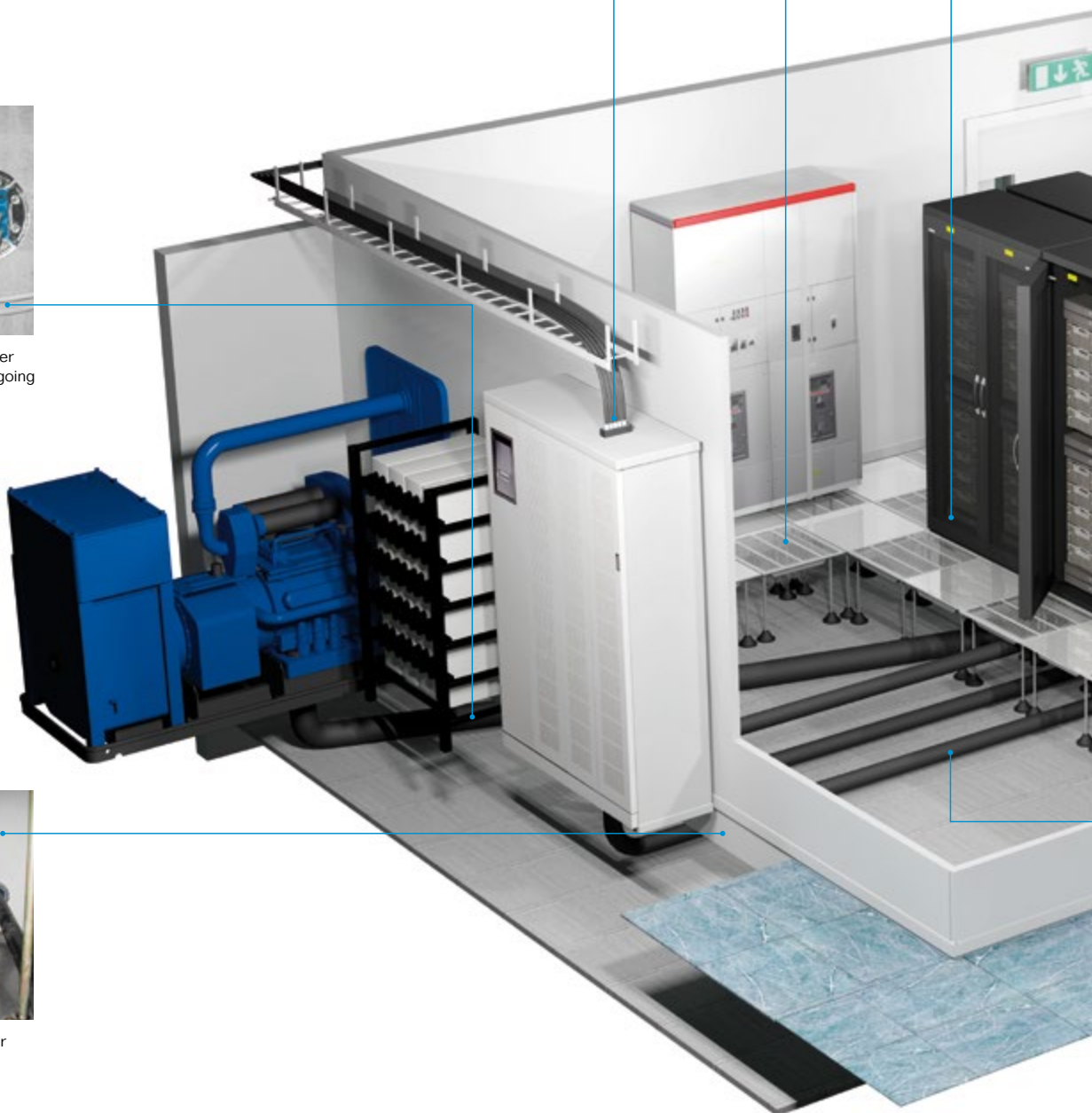
Inner wall beneath floor: Roxtec ComSeal™ around power cables for optimized cooling and energy saving.



Cabinet structure penetrations: Roxtec CF 16 for signal cables coming up to the servers.



Foundation: sealing of power and control system cables going through core-drilled holes.

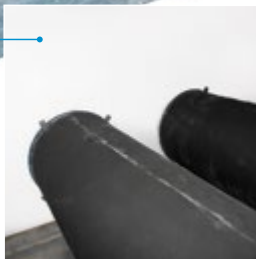
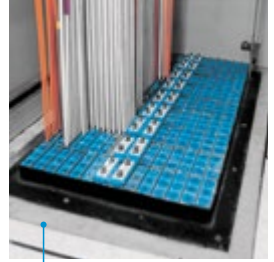


Beneath floor: Single power cables sealed air-tight with Roxtec round seals.

Cooling system: Air-tight pipe seals for efficient cooling and lower energy costs.



Openings in floors: Sealing of multiple fiber optic and transmission cables with a Roxtec G frame.



Data hall power supply: Roxtec seals contribute to smart space management and better air conditioning.

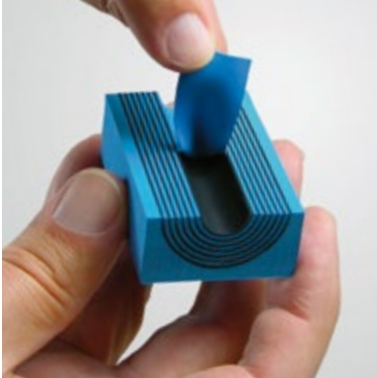


Raised floor: sealing of fiber optic and cat 5-cat 7 transmission cables.



No air leakage in wall beneath floor: A Roxtec G frame can handle a combination of cables for transmission and control.

Our flexible sealing system



Multidiameter™ by Roxtec

Our invention for adaptability is based on sealing modules with removable layers. You just peel off layers to enable a perfect fit to any cable or pipe. This simplifies design, speeds up installation, minimizes logistics and reduces the need for keeping different items and compo-

nents in stock. In all, it makes electrical installations easy and safe.

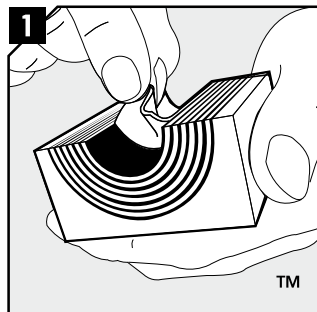
Better space management

Thanks to the modular-based seal, cables are neatly organized. A small, but proper space between each cable creates area efficiency and facilitates inspection and

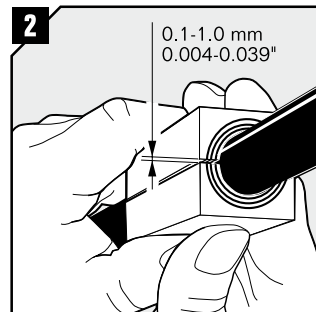
maintenance. The flexibility allows you to modify the installation and add cables later on. Using Roxtec is a small investment, but it provides a lot of opportunities for future upgrades.

Basic steps

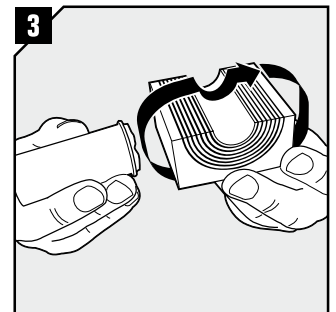
in the assembly of a modular-based Roxtec sealing solution



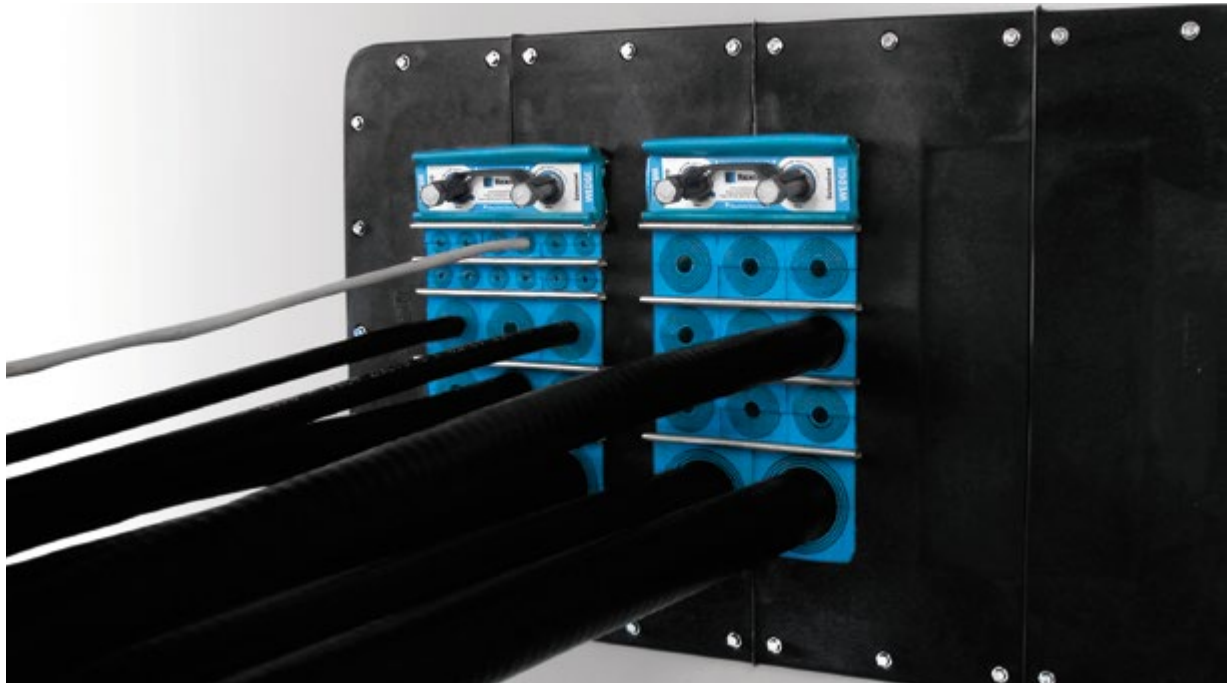
1 Adapt the modules, which are to hold cables or pipes, by peeling off layers until you reach the gap seen in pic.
2. The halves may not differ by more than one layer.



2 Achieve a 0.1-1.0 mm gap between the two halves when held against the cable/pipe.

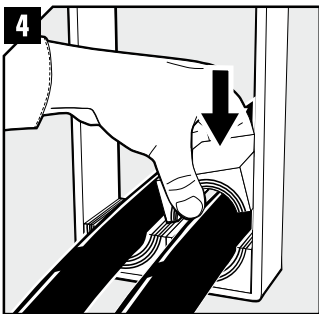


3 Lubricate all modules for the frame thoroughly, both the inside and the outside surfaces.

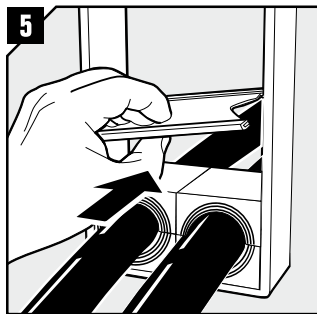


The recommended choice

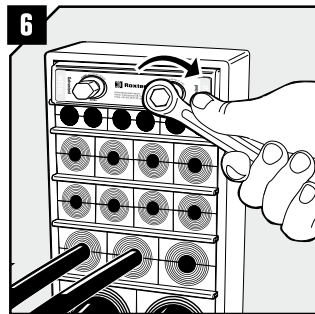
What more can you ask for than a certified, user-friendly and standardized solution for cable and pipe seals, covering all the safety needs in the data center industry? It is rather evident why our sealing system has become the globally recommended industry standard.



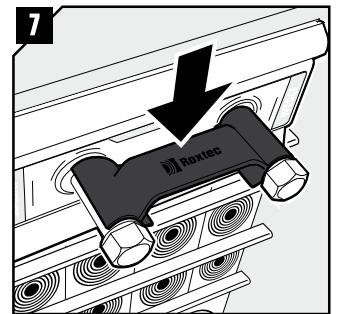
4 Insert the modules according to your installation plan (transit plan). It is recommended to seal cables/pipes at the bottom of the frame and put spare modules on top.



5 Insert a stayplate on top of every finished row of modules.



6 Insert the Rextec Wedge and tighten the screws until full stop.



7 Attach the Wedge Clip to the wedge bolts to check that the wedge is properly tightened.

We support you globally



Sharing our knowledge

Roxtec is much more than a supplier. Our sales and support staff around the world help customers find their optimal solution. Our knowledge, acquired through many years of work in the field, enables us to guide you to a solution that suits your specific needs.

We help ensure quality

Our extensive R&D resources, including a design department, an advanced fire test lab and a technical center, give us the opportunity to continuously develop and improve products and solutions for our customers. We provide tests and certificates as well as support and documentation for transferring knowledge within your project organization.



Roxtec Transit Designer™

Our free, web-based tool simplifies product selection according to needs and requirements and improves the entire process of designing, purchasing and installing cable and pipe transits. It is available on www.roxtec.com.

Installation training

Whenever desired, we provide product installation training on site through our sales staff and technicians. On our website www.roxtec.com, we have collected useful information for staff involved in assembly and installation of the Roxtec sealing system. Instructions and videos can be viewed online or downloaded for free.

Available on your market

All our sealing solutions are available through our extensive network of local suppliers. This means direct support and fast deliveries from local stocks in more than 70 markets.



Among our telecom, data center and construction customers, you find:

AT&T/Cingular, Banco do Brasil, Bharti, China Mobile, Clinical Center Jena, Delta, Dow Chemical, Eltek, Ericsson, Huawei, Motorola, Nokia Siemens Networks, Pfizer, proRZ, Reliance, Rittal/Lampertz, Royal Alex Hospital, Sprint Nextel, ST Microelectronics, Sul America, TDC Song, Telefónica, Tieto, Vodafone, Winnipeg Int. Airport.



Local presence worldwide

Roxtec is the world-leading provider of flexible sealing solutions for cable and pipe penetrations. Our adaptability solution, Multidiameter™, is based on modules with removable layers. It seals perfectly, regardless of the dimension of the cable or pipe. We are present all over the world in order to ensure product availability as well as quick support and supply.

Sweden, Roxtec International AB, HQ
Argentina, INGIAR Representaciones SRL
Australia, Roxtec Australia Ltd
Belgium, Roxtec b.v.b.a./s.p.r.l
Brazil, Roxtec Latin América Ltda
Chile, FACOR Ltda
China, Roxtec Sealing System (Shanghai) Co. Ltd
Croatia, Roxtec d.o.o.
Czech Republic, Roxtec CZ s.r.o
Denmark, Roxtec Denmark ApS
Finland, Roxtec Finland Oy
France, Roxtec France SAS
Germany, Roxtec GmbH
Hungary, Glob-Prot Trade and Service Ltd
India, Roxtec India Pvt Ltd
Israel, C&P Co. Ltd
Italy, Roxtec Italia S.r.l
Japan, Roxtec Japan K.K
Lithuania, SWELBALT UAB
Mexico, Roxtec de México, S.A. de C.V
Nigeria, Structured Resource Business Ltd
The Netherlands, Roxtec BV
Norway, Roxtec AS
Peru, Synixtor S.A.C
Poland, Pionet Sp.zo.o
Russia, Roxtec RU
Romania, Roxtec RO s.r.l.
Singapore/Indonesia, Roxtec Singapore PTE Ltd
South Africa, Roxtec Africa (PTY) Ltd
South Korea, Roxtec Korea Ltd
Spain, Roxtec Sistemas Pasamuros S.L
Switzerland, Agro AG
Turkey, Roxtec Yalıtım Çözümleri San. ve Tic. Ltd. Şti.
UAE, Roxtec Middle East F.Z.E
UK/Ireland, Roxtec Ltd,
USA/Canada, Roxtec Inc
Venezuela, Grupo ES Escorihuela Somes, C.A

For other markets and detailed contact information, please visit www.roxtec.com



Roxtec International AB
Box 540, 371 23 Karlskrona, SWEDEN
PHONE +46 455 36 67 00, FAX +46 455 820 12
EMAIL info@roxtec.com, www.roxtec.com