

DomiOP eBIS513

The DomiOP eBIS Series 500 HMI products combine state-of-the-art features and top performance with an outstanding design. They are the ideal choice for all demanding HMI applications including factory and building automation.

The eBIS513 features a bright 13"3 widescreen (16:9) TFT display with a fully dimmable LED backlight.

The JMobile software offers full vector graphic capabilities and plenty of connectivity options.



- 13"3 WXGA TFT color display, LED backlight
- 1280x800 pixel resolution, 64K colors
- Resistive touchscreen
- 2 Ethernet ports with switch function
- 2 USB Host ports
- SD Card Slot
- Connection to fieldbus systems and I/O using optional plug-in modules
- Slim design. Mounting depth less than 50mm

Highlights

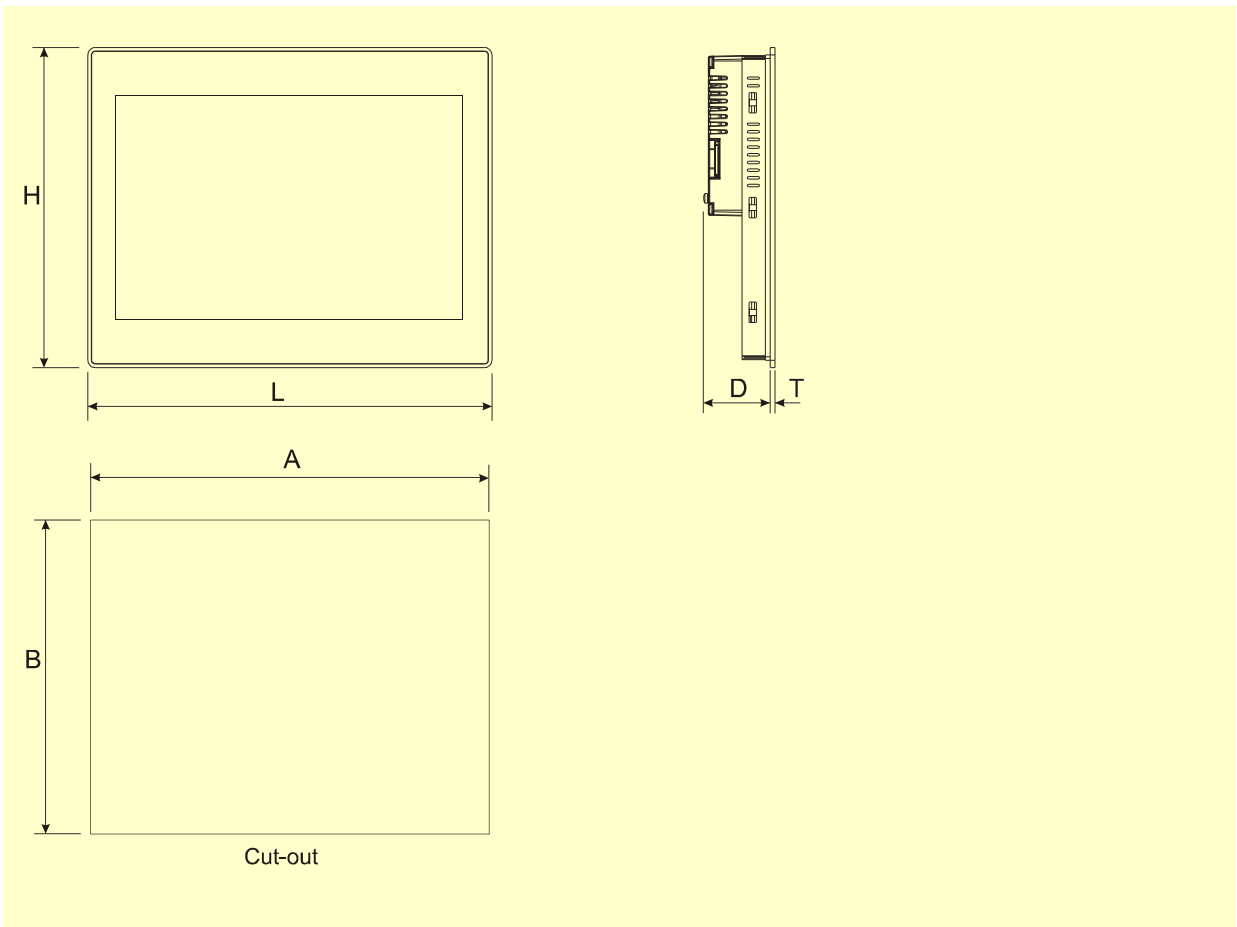
The eBIS Series 500 HMI panels have been designed to run the JMobile software.

- JMobile runtime included. Full compatibility with JMobile Studio.
- Full vector graphic support. Native support of SVG graphic objects. Transparency and alpha blending.
- Full object dynamics: control visibility and transparency, move, resize, rotate any object on screen. Change properties of basic and complex objects.
- TrueType fonts
- Multilanguage applications. Easily create and manage your applications in multiple languages to meet global requirements. Far East languages are supported. Tools available in JMobile Studio support easy third-party translations and help reducing development and maintenance costs of the application
- Data display in numerical, text, bargraph, analog gauges and graphic image formats.
- Rich set of state-of-the-art HMI features: data acquisition, alarm handling, scheduler and timed actions (daily and weekly schedulers, exception dates), recipes, users and passwords, e-mail and RSS feeds, rotating menus
- Includes support for a wide range of communication drivers for Factory and Building Automation systems.
- Multiple drivers communication capability.
- Remote monitoring and control. Client-Server functionality. Mobile clients supported.
- Remote maintenance and support with VNC-based functionality.
- Off-line simulation of the HMI application with JMobile Studio.
- Powerful scripting language for automating HMI applications. Script debugging improves efficiency in application development.
- Rich gallery of symbols and objects
- Project templates
- Optional plug-in modules for fieldbus systems, I/O and controllers.
- Display backlight dimmable 0%

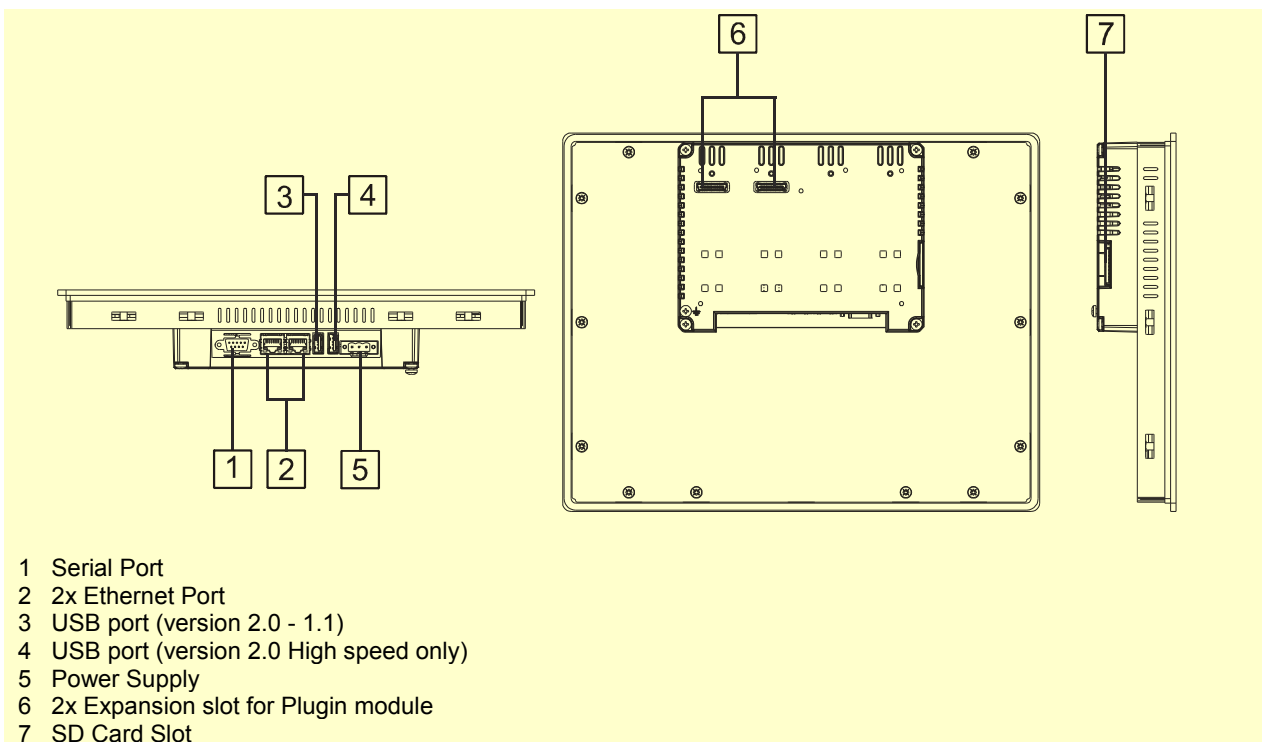
Technical Data

Display			
Type	TFT	Historical event list	Yes
Resolution	1280x800, WXGA	Users and passwords	Yes
Active display area	13"3 widescreen diagonal	Hardware Real Time Clock	Yes, with battery back-up
Colors	64K	Screen saver	Yes
Backlight	LED	Buzzer	Yes, audible feedback for touchscreen
Brightness	300 Cd/m ² typ.		
Dimming	Yes		
System Resources		Ratings	
Operating System	Microsoft Windows CE 6.0	Power supply voltage	24 Vdc (18 to 30 Vdc)
User memory	256 MB Flash	Current consumption	1.2A at 24Vdc(max.)
RAM	256MB DDR	Fuse	Automatic
		Weight	Approx 2.8 Kg
		Battery	Rechargeable Lithium battery, not user-replaceable
Operator Interface		Environmental Conditions	
Touchscreen	Analog resistive	Operating temperature	5 to 40 °C (vertical installation)
LED indicators	1 (dual color)	Storage temperature	-20 to +70 °C
		Operating and storage humidity	5 – 85 % relative humidity, non-condensing
		Protection class	IP20
Interface		Dimensions	
Ethernet	2 10/100 Mbit with integrated Switch	Faceplate LxH	336x267 mm (13.22x10.51")
USB	2 Host Interface (1 version 2.0, 1 version 2.0 and 1.1)	Cutout AxB	326x256 mm (12.83x10.07")
Serial	RS-232, RS-485, RS-422, software configurable	Depth D+T	56+4 mm (2.20+0.16")
Expansion Slot	2 Optional plug-in		
Memory Card	SD Card Slot		
Functionality		Approvals	
Vector graphics	Yes, includes SVG support	CE	EN 50090-2-2 + EN 50090-2-2/A1+EN 50090-2-2/A2
Object dynamics	Yes. Visibility, opacity, position, size, rotation for most object types.		Immunity
TrueType fonts	Yes		EN 61000-6-1,
Multiple driver communication	Yes, max 2 drivers		Emission
Data acquisition and trend presentation	Yes. Flash memory storage limited only by available memory		EN 61000-6-3
Multilanguage	Yes, with runtime language switching.		for installation in residential environments
Recipes	Yes. Flash memory storage limited only by available memory		
Alarms	Yes		

Dimensions

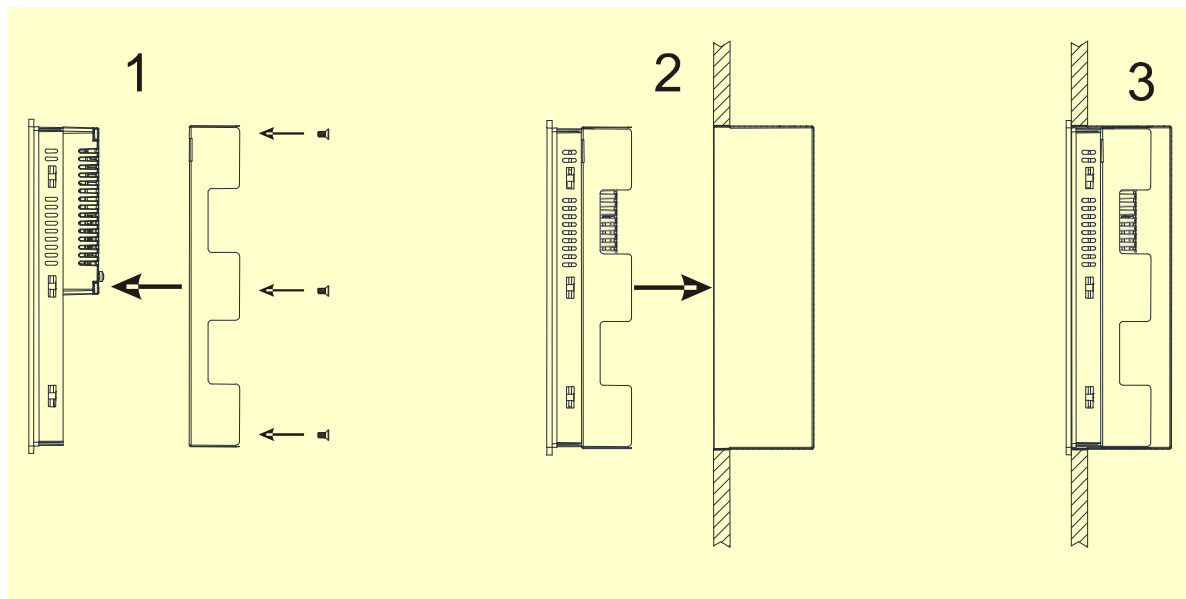


Connections



- 1 Serial Port
- 2 2x Ethernet Port
- 3 USB port (version 2.0 - 1.1)
- 4 USB port (version 2.0 High speed only)
- 5 Power Supply
- 6 2x Expansion slot for Plugin module
- 7 SD Card Slot

Mounting into Wall-mount Box (sequence)



Ordering Information

Model	Part Number	Description
eBIS513-White	+EBIS513U101	13"3 widescreen TFT color touchscreen with Ethernet and USB interfaces. JMobile run-time. White front panel.
eBIS513-Grey	+EBIS513U201	13"3 widescreen TFT color touchscreen with Ethernet and USB interfaces. JMobile run-time. Grey front panel.
eBIS513-Black	+EBIS513U301	13"3 widescreen TFT color touchscreen with Ethernet and USB interfaces. JMobile run-time. Black front panel.
BOX513-01	R-BOX13	Wall-mount box (329,2 x 259,2 x 80) for eBIS513

ptn0389

Ver. 1.2 Copyright © 2012 Exor International S.p.A. – Verona, Italy

Subject to change without notice

The information contained in this document is provided for informational purposes only. While efforts were made to verify the accuracy of the information contained in this documentation, it is provided "as is" without warranty of any kind.

www.uniop.com