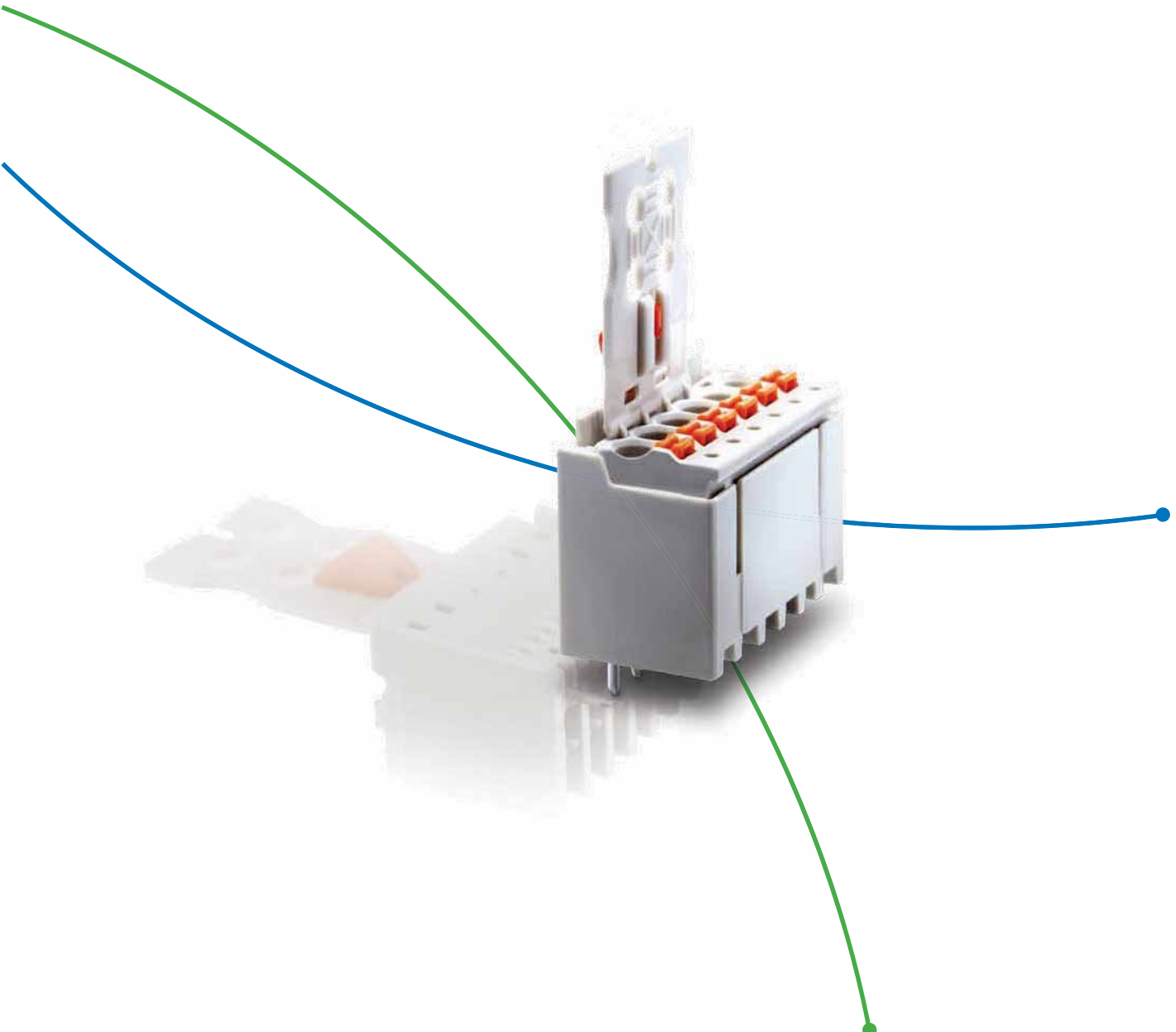


*pico*MAX[®]

The Pluggable Connection System



WAGO[®]
INNOVATIVE CONNECTIONS

TECHNOLOGY THIS SPECIALIZED
CAN'T MEET ALL REQUIREMENTS.

YES IT CAN.

picoMAX[®] Pin spacing: 3.5 mm/0.138 in; 5.0 mm/0.197 in; 7.5 mm/0.295 in **Versatile Pluggable Connectors for a Wide Range of Applications**

	System Description	2 - 8		
	Handling	9 - 13		
<div style="border: 1px solid green; border-radius: 10px; padding: 10px; text-align: center; width: 100px; margin: 10px auto;"> 3.5 2091 Series </div>	Standard Female Connectors	14 - 17	3.5	
	Male Headers with Solder Pins	18 - 20		
	Standard Male Connectors	22 - 23		
	Female Headers with Solder Pins	24 - 25		
	Panel Feedthrough Male Connectors	26 - 27		
<div style="border: 1px solid green; border-radius: 10px; padding: 10px; text-align: center; width: 100px; margin: 10px auto;"> 5.0 2092 Series </div>	Standard Female Connectors	28 - 31	5.0	
	Male Headers with Solder Pins	32 - 34		
	Standard Male Connectors	36 - 37		
	Female Headers with Solder Pins	38 - 39		
	Panel Feedthrough Male Connectors	40 - 41		
<div style="border: 1px solid green; border-radius: 10px; padding: 10px; text-align: center; width: 100px; margin: 10px auto;"> 7.5 2092 Series </div>	Standard Female Connectors	42 - 45	7.5	
	Male Headers with Solder Pins	46 - 48		
	Standard Male Connectors	50 - 51		
	Female Headers with Solder Pins	52 - 53		

picoMAX[®] eCOM Pin spacing: 3.5 mm/0.138 in; 5.0 mm/0.197 in; 7.5 mm/0.295 in **The Easiest Way to Make PCBs Pluggable**

	Description and Handling	54 - 57	
<div style="border: 1px solid green; border-radius: 10px; padding: 10px; text-align: center; width: 100px; margin: 10px auto;"> 3.5 2091 Series </div>	Standard Pluggable Female Headers for Direct Soldering to PCB	58 - 59	3.5
<div style="border: 1px solid green; border-radius: 10px; padding: 10px; text-align: center; width: 100px; margin: 10px auto;"> 5.0 2092 Series </div>	Standard Pluggable Female Headers for Direct Soldering to PCB	60 - 61	5.0
<div style="border: 1px solid green; border-radius: 10px; padding: 10px; text-align: center; width: 100px; margin: 10px auto;"> 7.5 2092 Series </div>	Standard Pluggable Female Headers for Direct Soldering to PCB	62 - 63	7.5
	Accessories	64 - 68	
	Technical Section	70 - 77	
	Index of Item Numbers	78 - 79	
	WAGO Offices	80 - 83	



PACKED WITH INNOVATION, *pico*MAX[®] SHOULD BE MUCH BIGGER.

BUT IT ISN'T.

The *pico*MAX[®] pluggable connection system has an innovative, **highly compact** design:

- Reduces space by up to 30%
- Minimal space requirements when mated
- The female connector is fully shrouded by the male header's housing.

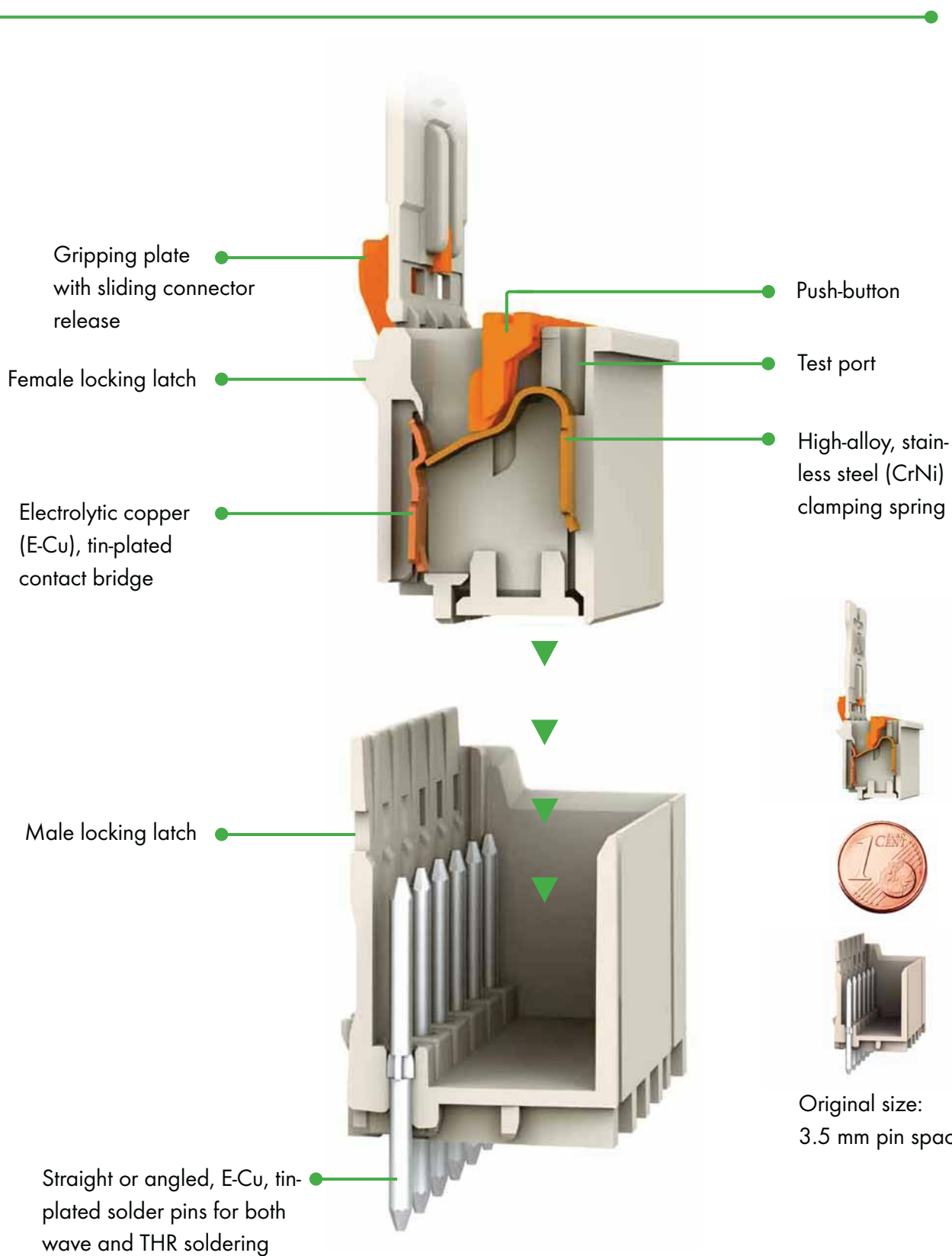
The *pico*MAX[®] design yields extremely short female connectors.
Male headers are equipped with an integrated locking latch.

The **very short contact bridge** separates the termination unit from the header pin.
This **extremely short current path** minimizes contact resistance.

*pico*MAX[®] is the only pluggable connection system that makes double use of the contact force of **a single stainless steel spring (CrNi)**:

For clamping the conductor **and** connecting the header pin.

The combination of our special design, the **innovative Spring Pressure Connection Technology** and **new insulation material** guarantees **absolute contact reliability** even at high temperatures.



COMPACT

VIBRATION-PROOF

INTUITIVE

UNIVERSAL

EFFICIENT

Pages 54 - 63



VIBRATION-PROOF UP TO 20 g. NO PLUGGABLE CONNECTOR CAN BE SO SAFE.

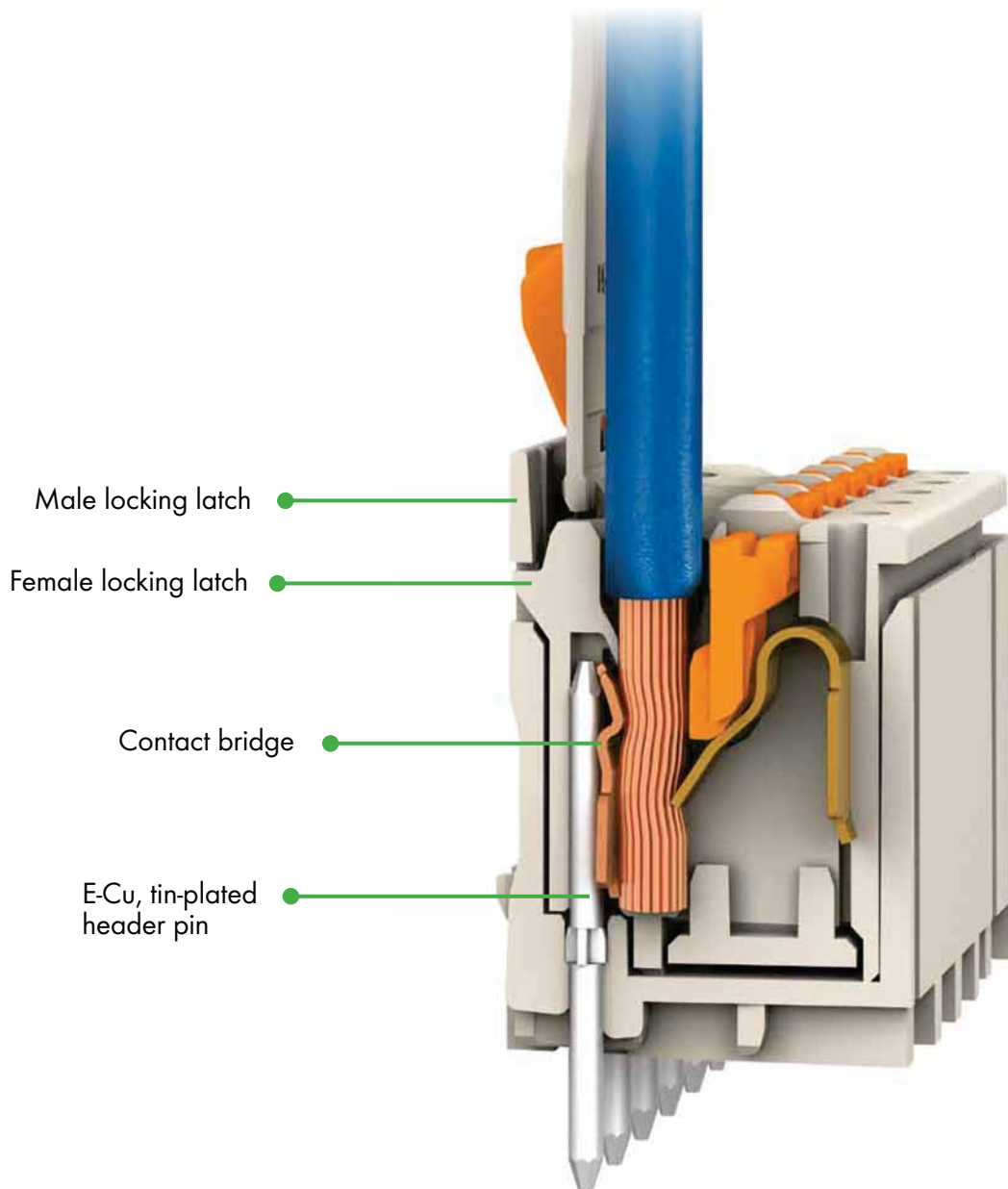
YES IT CAN.

The *picoMAX*[®] pluggable connection system has an innovative, **extremely vibration-proof** design: The protruding **locking latch** of the male header **interlocks** with the **locking latch** of the female connector, for a secure connection. This allows the female connector to be **automatically locked in place**, while being almost fully shrouded by the male header.

The clamping point of the terminated conductor and the contact point of the inserted header pin are virtually opposite each other. This unique configuration provides **uniform mass distribution**, making *picoMAX*[®] connectors ideal for vibration-prone applications. Essentially, the **contact force** between conductor, contact bridge and header pin is **automatically adjusted**.

This also allows *picoMAX*[®] wire-to-board connections to achieve high contact reliability when subjected to vibrations of **up to 20 g** based on IEC 60068-2-6.

Mass concentration of conductor, contact bridge and header pin within the pin housing turns *picoMAX*[®] into the **new standard for vibration-proof pluggable connector systems**.



COMPACT

VIBRATION-PROOF

INTUITIVE

UNIVERSAL

EFFICIENT
Pages 54 - 63



WITH SO MANY COMBINATION POSSIBILITIES, *picoMAX[®]* MUST BE DIFFICULT TO USE.

BUT IT ISN'T.

The *picoMAX[®]* pluggable connection system is intuitive and easy to use – worldwide:

Fast conductor termination

- Push-in termination of solid or ferruled conductors
- Easy push-button actuation

Integrated locking latches

- Prevent accidental disconnection of male header and female connector

Easy disconnection

- Using convenient unlocking tool for applications without gripping plate
- Via easy-to-use sliding connector release on gripping plate

Efficient testing

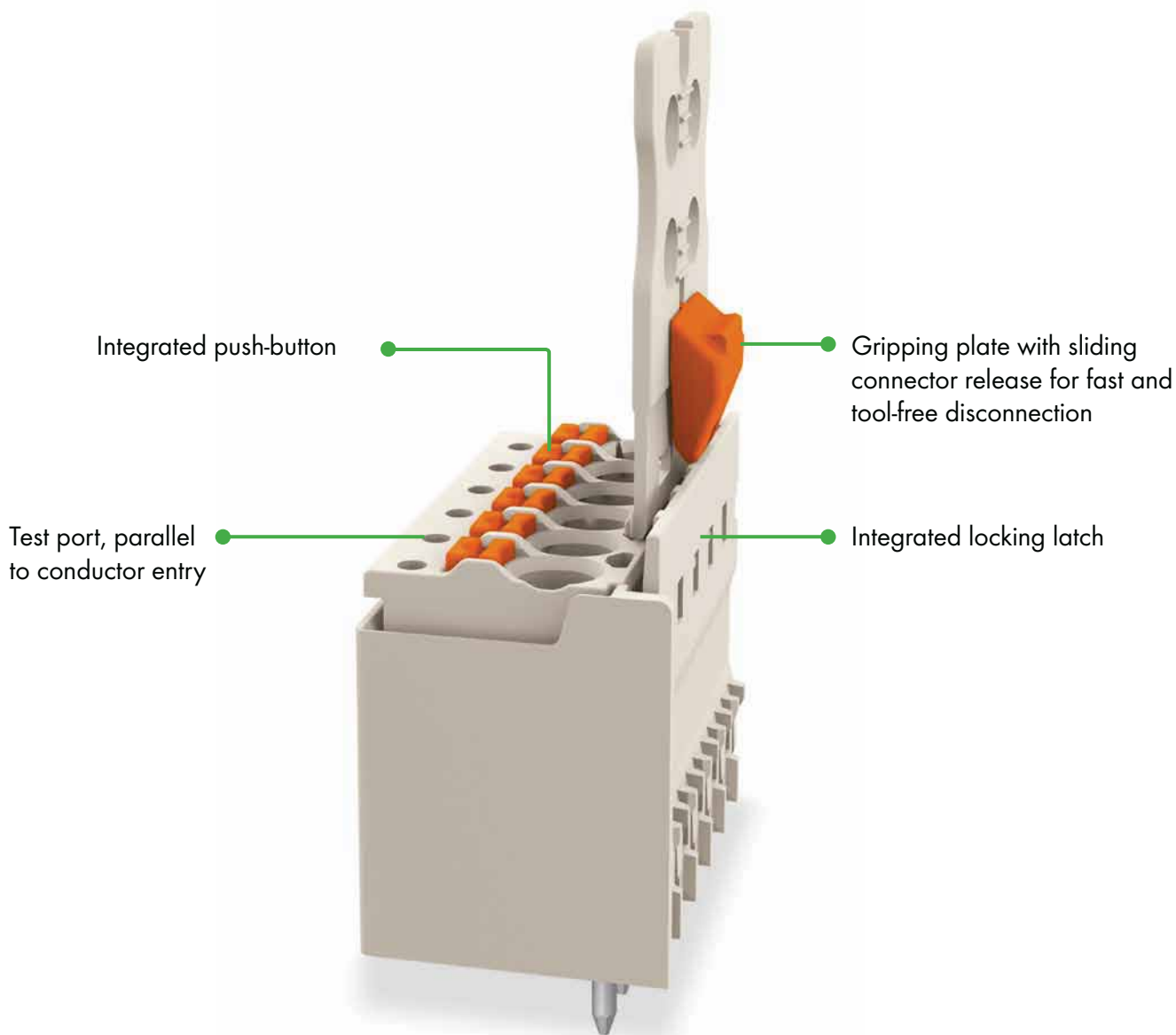
- Via test port, parallel to conductor entry
- Even when mated

Assembling connectors without losing any poles

- Within a male header's housing

Easy panel feedthrough connections

- E.g., for extensions with plug-in option on both sides



Integrated push-button

Test port, parallel to conductor entry

Gripping plate with sliding connector release for fast and tool-free disconnection

Integrated locking latch

COMPACT

VIBRATION-PROOF

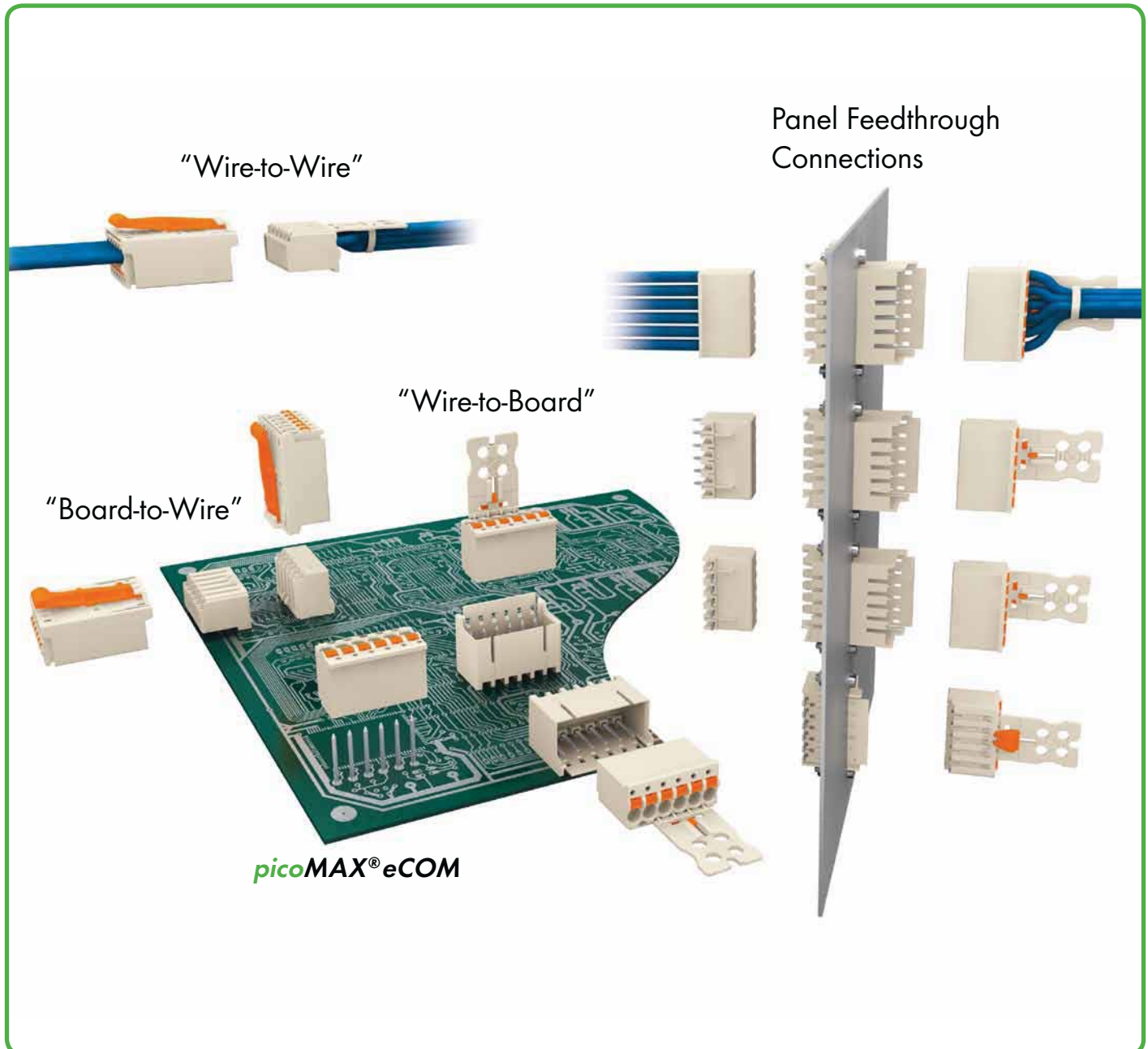
INTUITIVE

UNIVERSAL

EFFICIENT
Pages 54 - 63





































*pico*MAX[®]

The Pluggable Connection System



picoMAX® Pluggable Connectors

Combination Overview for Male and Female Connectors/Headers
 Pin Spacing: 3.5 mm/0.138 in; 5.0 mm/0.197 in; 7.5 mm/0.295 in

Female Connectors/ Headers	Male Connectors/Headers					
	Header with straight solder pins	Header with angled solder pins	Standard connector and integrated release lever	Panel feedthrough connector		
						
				Outside	Inside (unlocked)	
Standard connector and gripping plate with sliding connector release 						
Standard connector and gripping plate 	 	 		 		
Standard connector 	 	 		 		
Header with straight solder pins 						
Header with angled solder pins 						



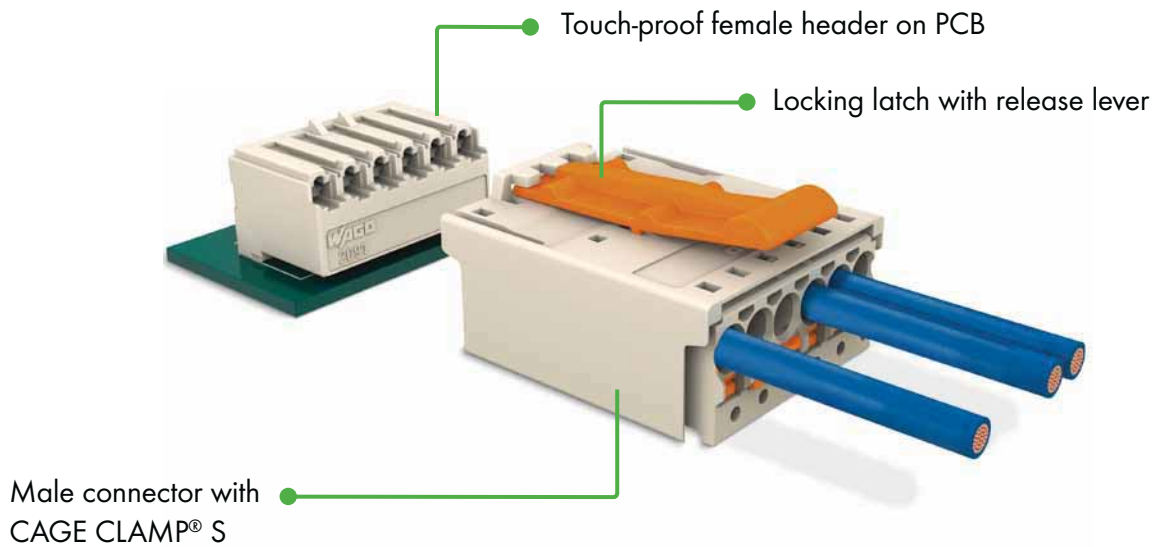
Disconnection: Open locking latches via unlocking tool.

*pico*MAX[®]

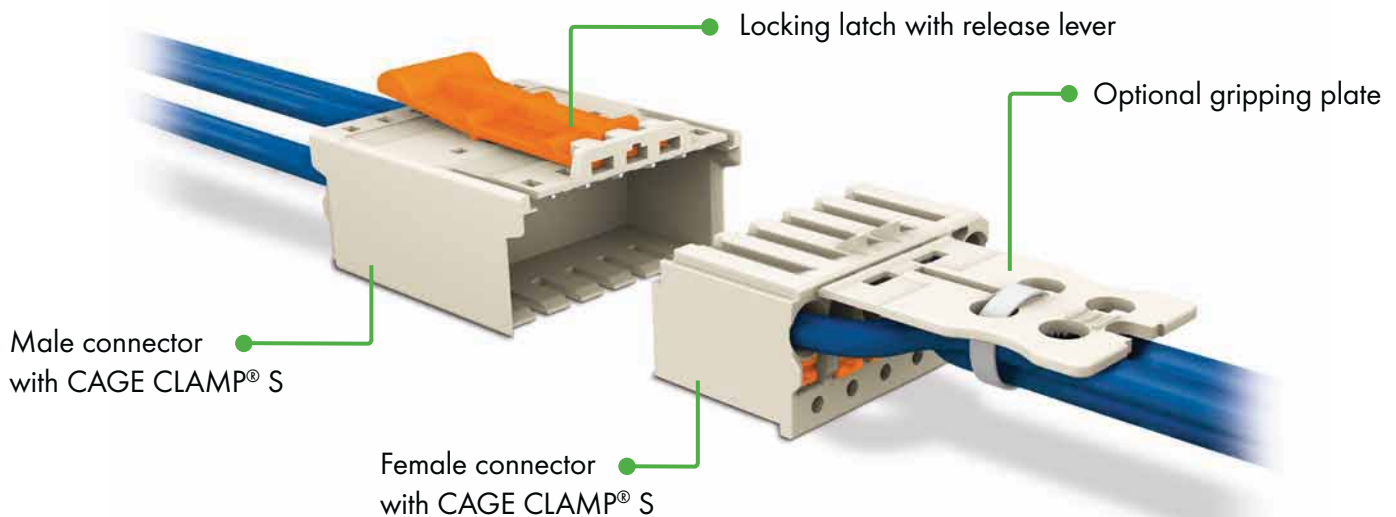
The Pluggable Connection System



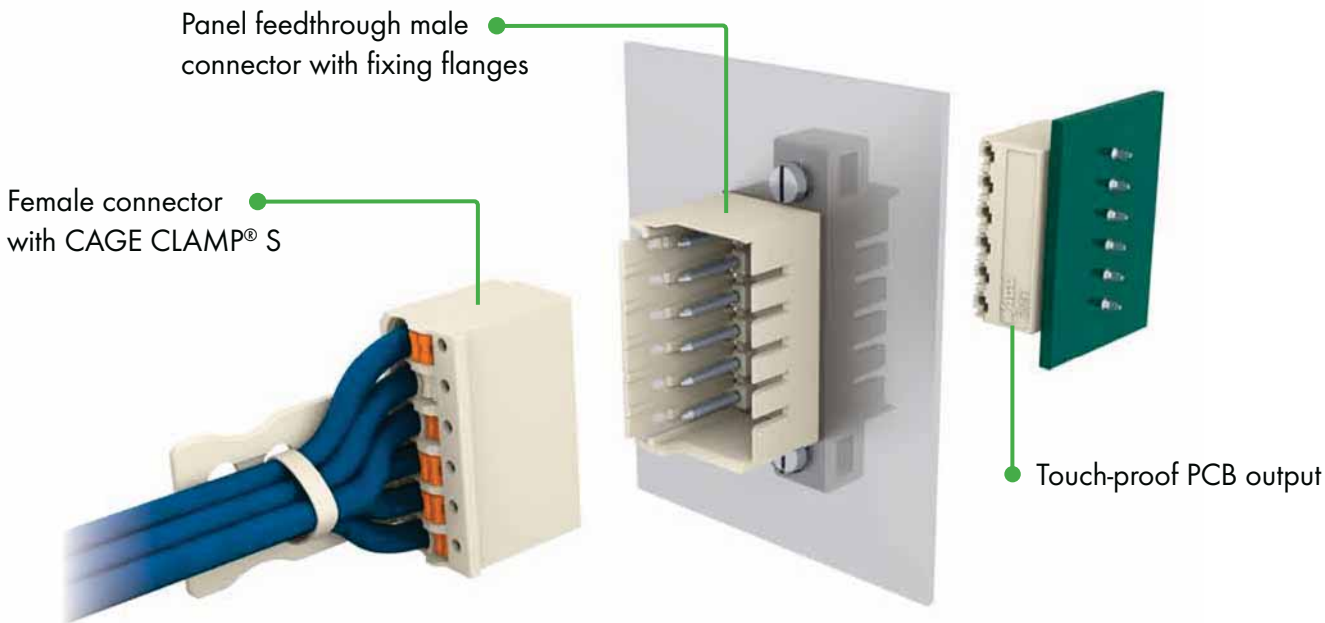
Touch-Proof PCB Output: "Board-to-Wire"



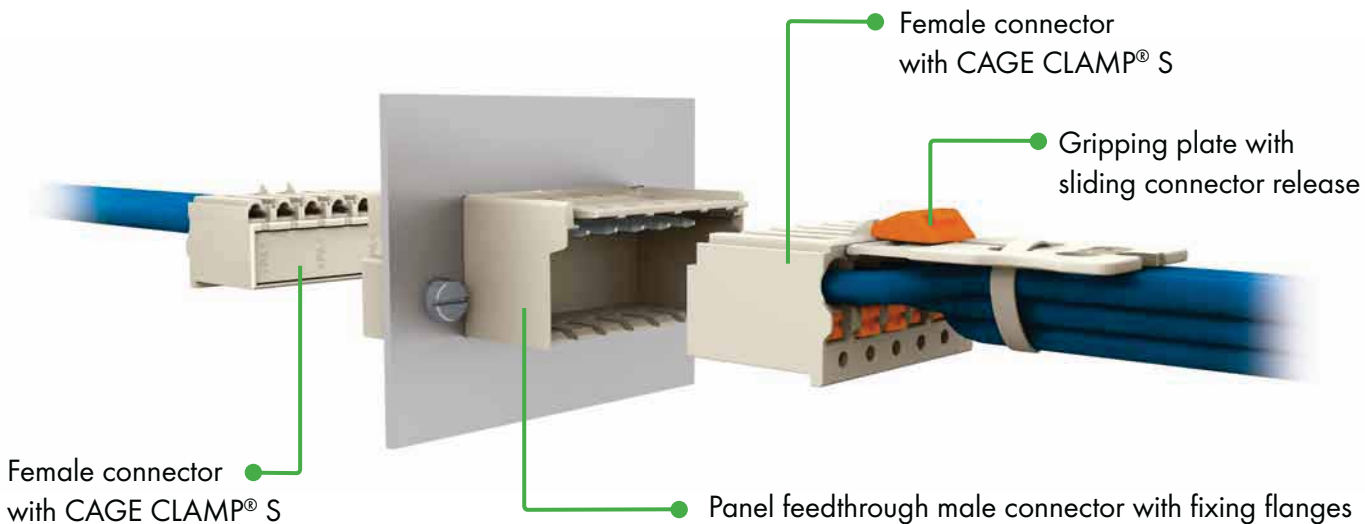
"Wire-to-Wire" Flying Lead



“Wire-to-Board” Panel Feedthrough

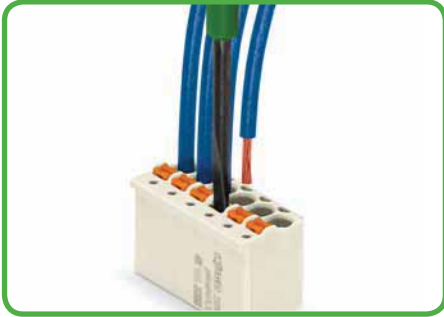


“Wire-to-Wire” Panel Feedthrough

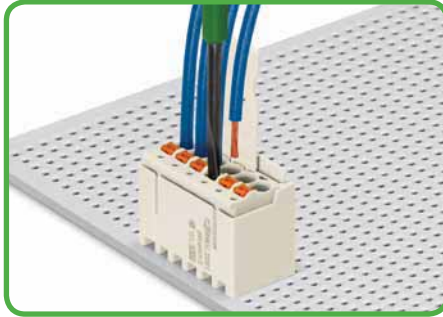


Handling *picoMAX*[®]

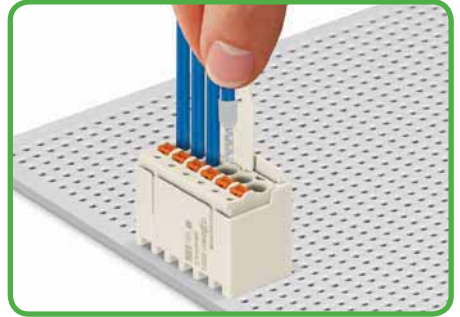
Pin Spacing: 3.5 mm/0.138 in; 5.0 mm/0.197 in; 7.5 mm/0.295 in



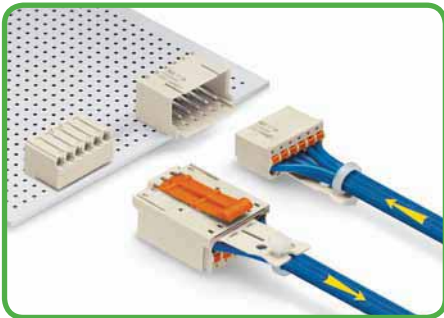
Inserting fine-stranded conductor into unmated female connector via push-button.



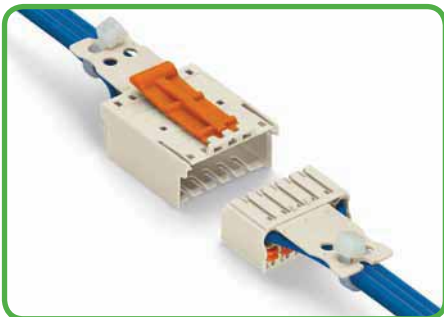
Inserting fine-stranded conductor into mated female connector via push-button.



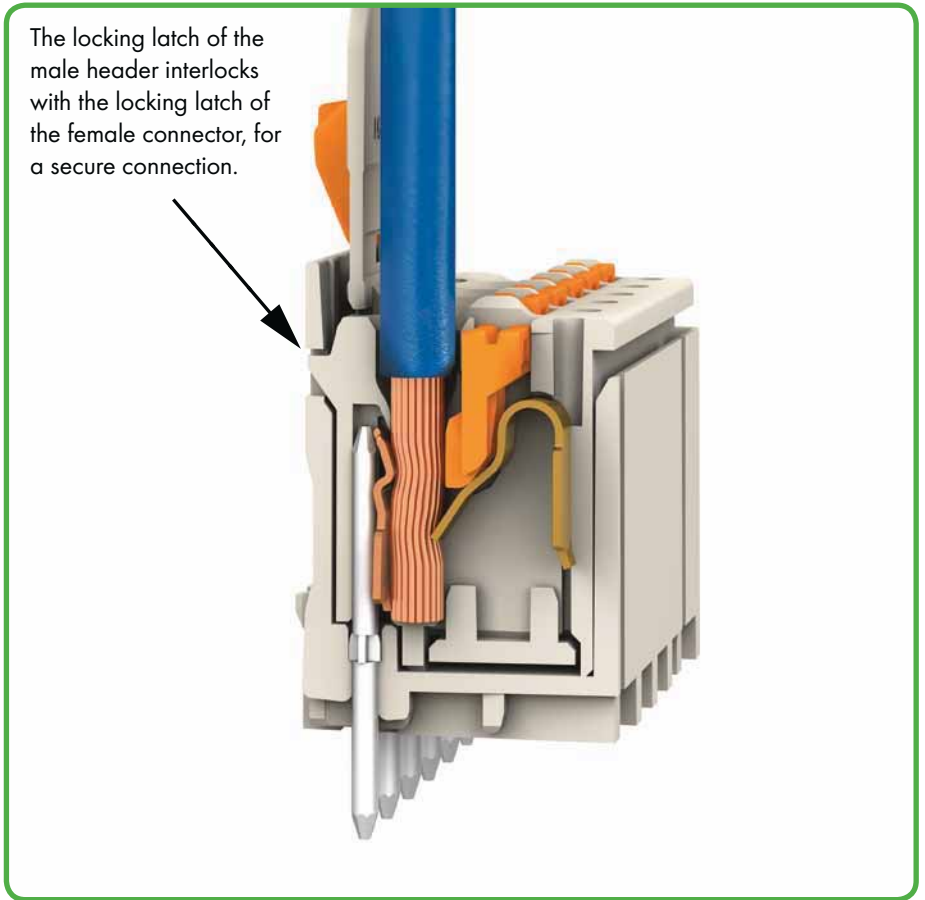
Inserting solid and ferruled conductors via push-in termination.



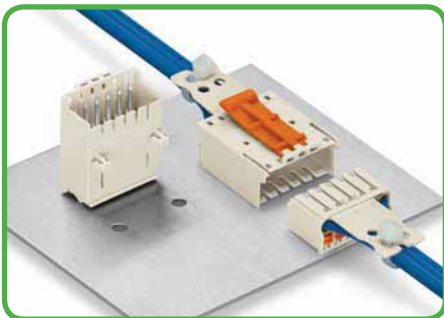
Easy-to-identify PCB inputs and outputs.



"Wire-to-wire" flying leads



The locking latch of the male header interlocks with the locking latch of the female connector, for a secure connection.



Male connectors with snap-in mounting feet for panel mounting.



Male connector with snap-in mounting feet on mounting adapter for DIN 35 rail.



Pole marking via factory direct printing.



CAGE CLAMP[®] S
clamps the following
copper conductors:

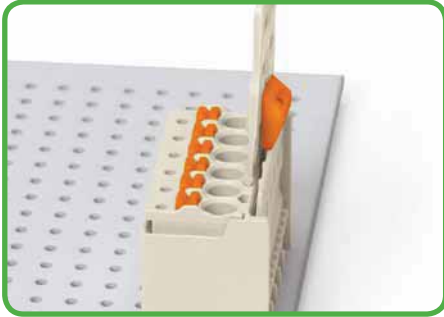
solid



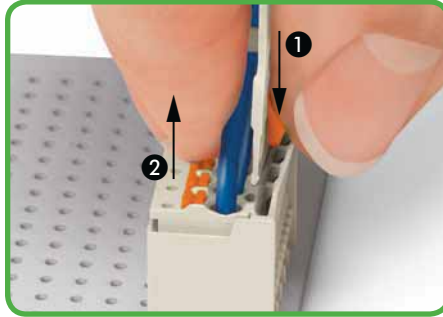
stranded



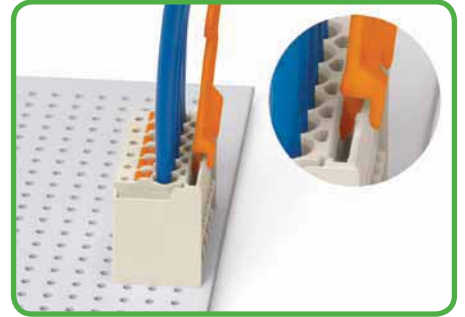
fine-stranded,
also with tinned
single strands



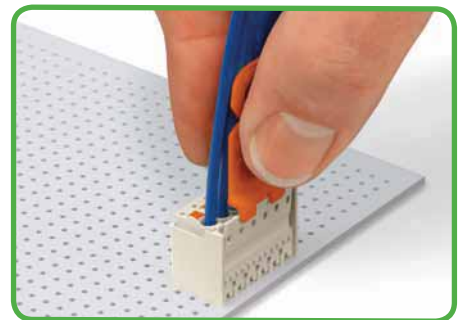
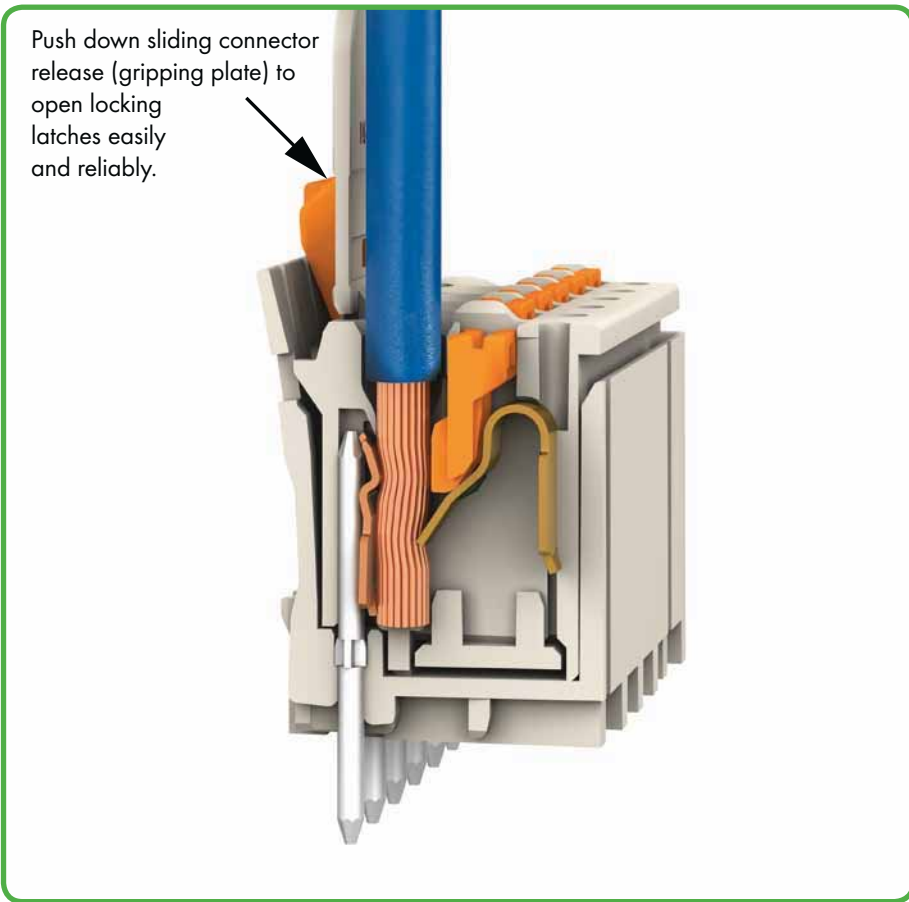
Male header mated to a female connector with gripping plate and sliding connector release.



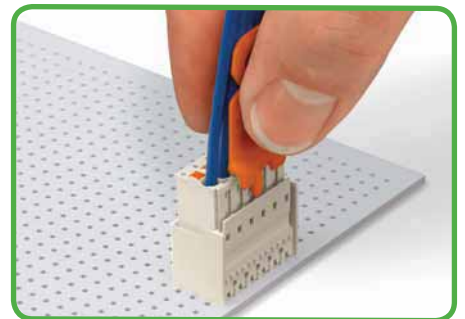
Disconnecting female connector via sliding connector release.
 ❶ Push down sliding connector release (gripping plate) to open the locking latch.
 ❷ Pull out female connector from male header.



Disconnecting female connector via unlocking tool. Plug unlocking tool into the male locking latch.



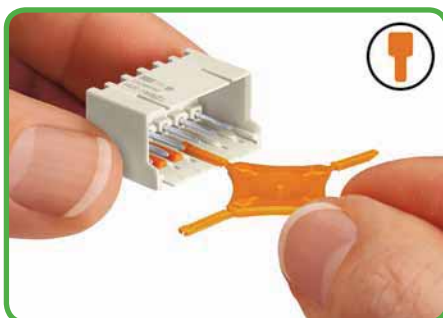
Insert unlocking tool until it hits backstop. Wedge opens locking latches.



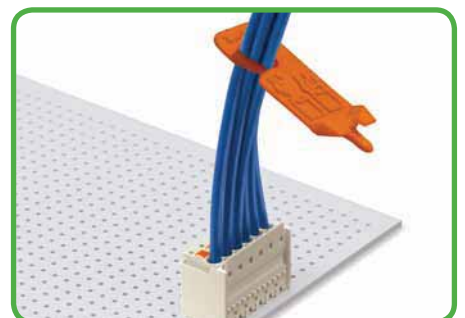
Pull on both unlocking tool and conductors to remove female connector from male header.



Coding a female connector (via coding key carrier and two keys for female connector, see symbol).



Coding a male header (via coding key carrier and two keys for male header, see symbol).



Unlocking tool may be suspended on wire harness for storage.

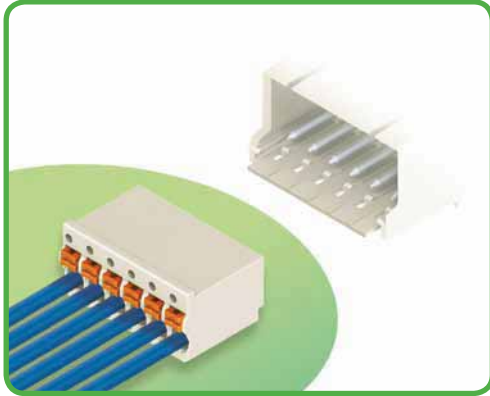


fine-stranded, tip-bonded



fine-stranded, with ferrule (gastight crimped)

Standard Female Connectors picoMAX® 3.5



- Universal connection for all conductor types
- Simple, push-in termination of solid and ferruled conductors
- Ability to wire while mated or unmated
- Testing port parallel to conductor entry – tip contact
- Integrated locking latches prevent accidental disconnection

Technical data:

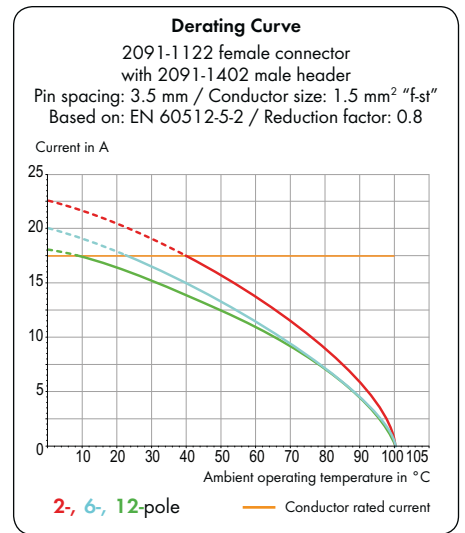
Pin Spacing	3.5 mm 0.138 in		
Ratings per	IEC/EN 60664-1		
Overtension category	III	III	II
Pollution degree	3	2	2
Rated voltage	160 V	160 V	320 V
Rated surge voltage	2.5 kV	2.5 kV	2.5 kV
Nominal current	10 A	10 A	10 A
Approvals per	UL/CSA*		
Use group UL 1059	B	C	D
Rated voltage	-	-	-
Nominal current UL	-	-	-
Nominal current CSA	-	-	-

Conductor data:

Connection technology	CAGE CLAMP® S	
Conductor size: solid	0.2 - 1.5 mm ²	
Conductor size: fine-stranded	0.2 - 1.5 mm ²	
Conductor size: fine-stranded	0.25 - 0.75 mm ² (with insulated ferrule)	
Conductor size: fine-stranded	0.25 - 1.5 mm ² (with uninsulated ferrule)	
AWG	24 - 14	14: THHN, THWN
Strip length	8 - 9 mm / 0.31 - 0.35 in	

Material data:

Material group	I
Insulation material	Glass-fiber-reinforced polyphthalamide (PPA-GF)
Flammability rating per UL 94	V0
Lower/Upper limit temperature	-60 °C / +100 °C
Clamping spring material	Chrome nickel spring steel (CrNi)
Contact material	Electrolytic copper (E _{Cu})
Contact plating	tin-plated



For additional derating curves, see page 71.

Accessories for picoMAX®:

Page:

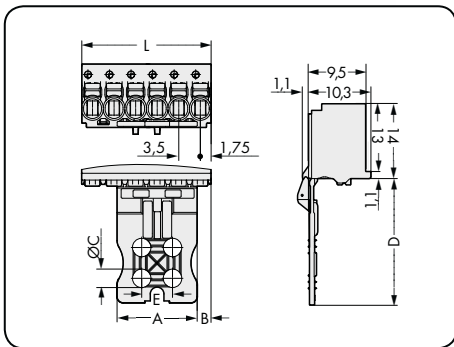
Operating tools	64
Direct printing	68
Gripping plates	65
Coding pins	66
Test pin	64

The **picoMAX® pluggable connection system** includes connectors without breaking capacity in accordance with DIN EN 61984. When used as intended, these connectors shall not be connected/disconnected when live or under load. The circuit design should ensure header pins, which can be touched, are not live when unmated.



Standard Female Connectors picoMAX® 3.5

<p>With gripping plate and sliding connector release Pin spacing: 3.5 mm / 0.138 in</p> <p>0.2 - 1.5 mm² AWG 24 - 14 160 V/2.5 kV/2 10 A</p>	<p>Types of assembly with male headers/connectors</p>	
---	--	--

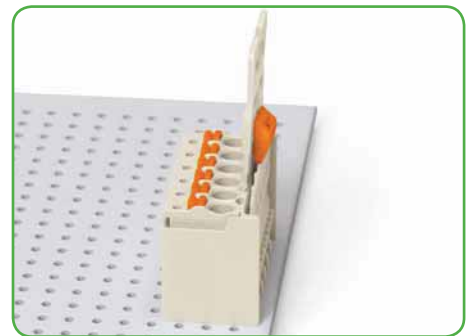
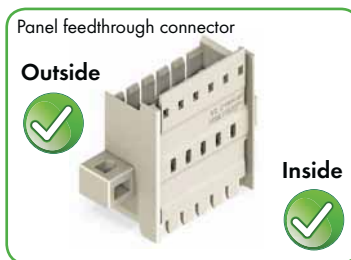
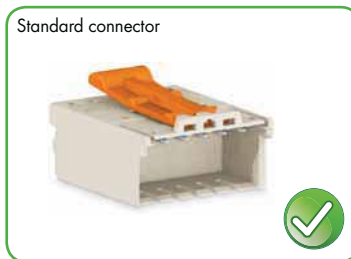
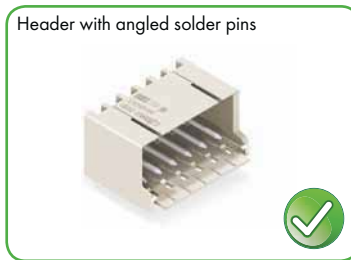


L = pole no. x pin spacing

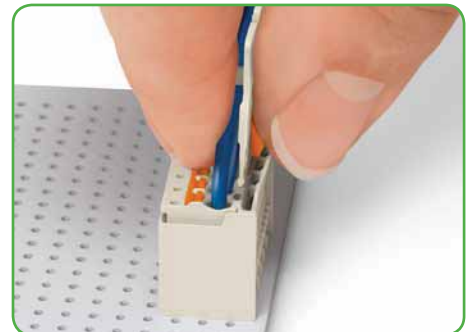
Pole No.	Item No.	Pack. Unit
Female connector with gripping plate and sliding connector release, light gray		
2	2091-1102/002-000	100
3	2091-1103/002-000	100
4	2091-1104/002-000	100
5	2091-1105/002-000	50
6	2091-1106/002-000	50
8	2091-1108/002-000	50
10	2091-1110/002-000	50
12	2091-1112/002-000	50

Gripping plate dimensions (in mm):

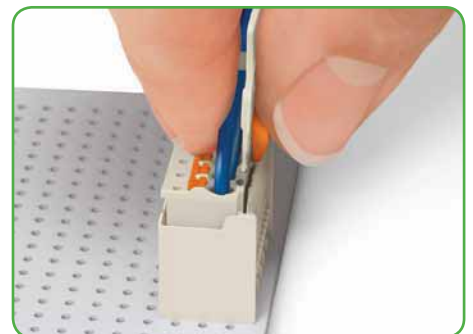
Pole No.	A	B	C	D	E
2	6	2.00	-	17	-
3	6	2.25	-	17	-
4	6	2.25	-	17	-
5	13	2.25	3.0	20	5
6	13	2.25	3.0	20	5
8	13	5.75	3.0	20	5
10	27	2.25	4.2	25	8
12	27	5.75	4.2	25	8



Male header mated to a female connector with gripping plate and sliding connector release.



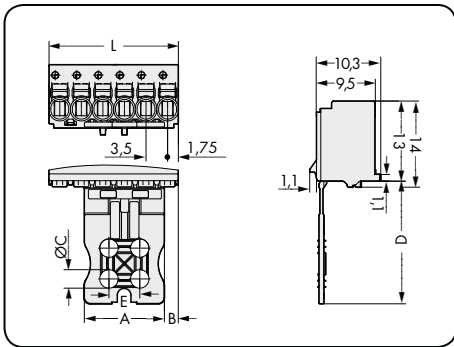
Push down sliding connector release (gripping plate) to open the locking latch.



Pull out female connector with gripping plate from male header.

Standard Female Connectors picoMAX® 3.5

<p>With gripping plate Pin spacing: 3.5 mm / 0.138 in</p> <p>0.2 - 1.5 mm² AWG 24 - 14 160 V/2.5 kV/2 10 A</p>	<p>Types of assembly with male headers/connectors</p>
--	--

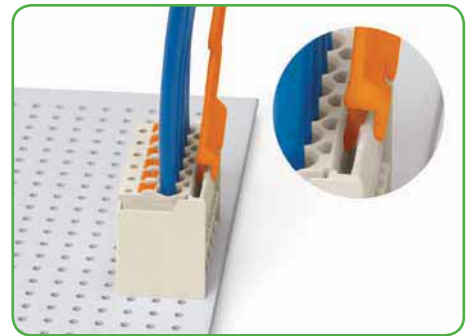
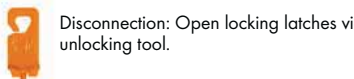
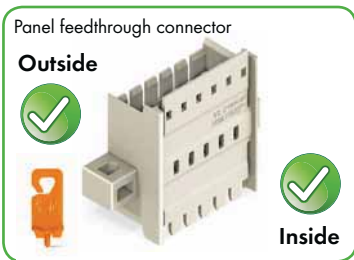
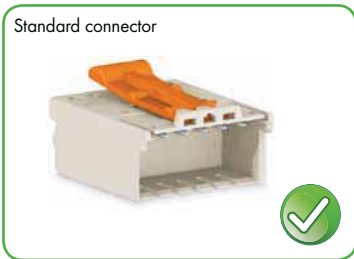


L = pole no. x pin spacing

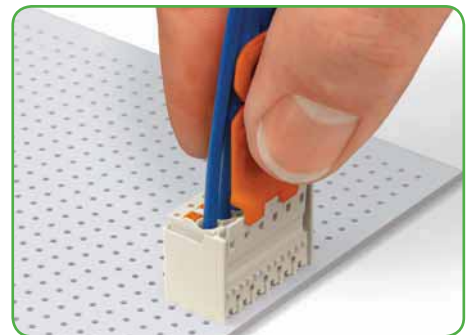
Pole No.	Item No.	Pack.	Unit
Female connector with gripping plate, light gray			
2	2091-1102	100	
3	2091-1103	100	
4	2091-1104	100	
5	2091-1105	50	
6	2091-1106	50	
8	2091-1108	50	
10	2091-1110	50	
12	2091-1112	50	
Product Accessories			
Unlocking tool (2092-1630)			64

Gripping plate dimensions (in mm):

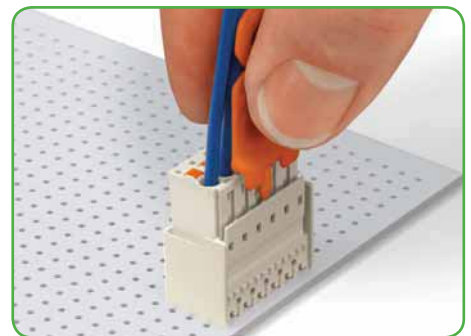
Pole No.	A	B	C	D	E
2	3	2.00	-	17	-
3	6	2.25	-	17	-
4	6	2.25	-	17	-
5	13	2.25	3.0	20	5
6	13	2.25	3.0	20	5
8	13	5.75	3.0	20	5
10	27	2.25	4.2	25	8
12	27	5.75	4.2	25	8



Disconnecting female connector via unlocking tool. Plug unlocking tool into the male header's locking latch.



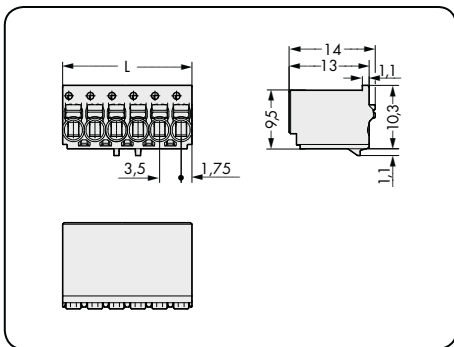
Insert unlocking tool until it hits backstop. Wedge opens locking latch.



Pull on both unlocking tool and conductors to remove female connector from male header.

Standard Female Connectors picoMAX® 3.5

Pin spacing: 3.5 mm / 0.138 in 0.2 - 1.5 mm ² AWG 24 - 14 160 V/2.5 kV/2 10 A	Types of assembly with male headers/connectors
---	---



L = pole no. x pin spacing

Pole No.	Item No.	Pack. Unit
Female connector, light gray		
2	2091-1122	200
3	2091-1123	200
4	2091-1124	200
5	2091-1125	200
6	2091-1126	100
8	2091-1128	100
10	2091-1130	100
12	2091-1132	100
Product Accessories		
Unlocking tool (2092-1630)		64

Header with straight solder pins

Header with angled solder pins

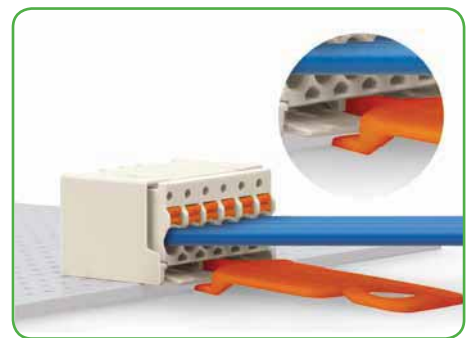
Standard connector

Panel feedthrough connector

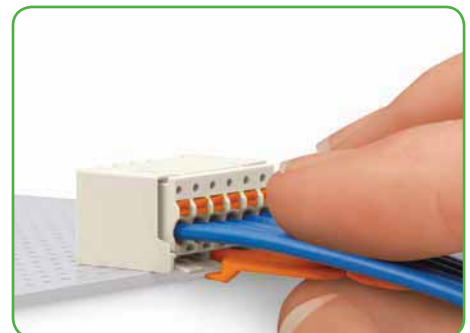
Outside

Inside

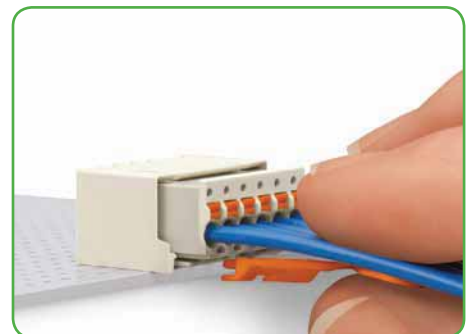
Disconnection: Open locking latches via unlocking tool.



Disconnecting female connector via unlocking tool. Plug unlocking tool into the male header's locking latch.



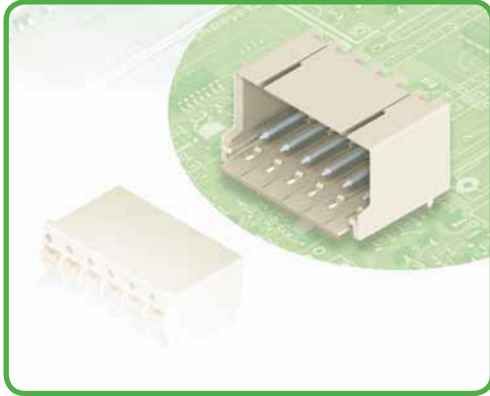
Insert unlocking tool until it hits backstop. Wedge opens locking latch.



Pull on both unlocking tool and conductors to remove female connector from male header.

3.5

Male Headers with Solder Pins picoMAX® 3.5



- Horizontal or vertical PCB mounting via straight or angled solder pins
- Assembly of female connectors without loss of poles, allowing different functions to be divided within one male header
- Coding pins inserted into the header interface prevent mismatching, allowing subsequent coding in panel feedthrough applications
- Female connector is almost fully shrouded by the male header, providing vibration-resistance up to 20 g*

Technical data:

Pin Spacing	3.5 mm 0.138 in		
	IEC/EN 60664-1		
Ratings per	III	III	II
Overtoltage category	3	2	2
Pollution degree	3	2	2
Rated voltage	160 V	160 V	320 V
Rated surge voltage	2.5 kV	2.5 kV	2.5 kV
Nominal current	10 A	10 A	10 A
Approvals per	UL/CSA**		
Use group UL 1059	B	C	D
Rated voltage	-	-	-
Nominal current UL	-	-	-
Nominal current CSA	-	-	-

Solder pin data for THT (wave soldering):

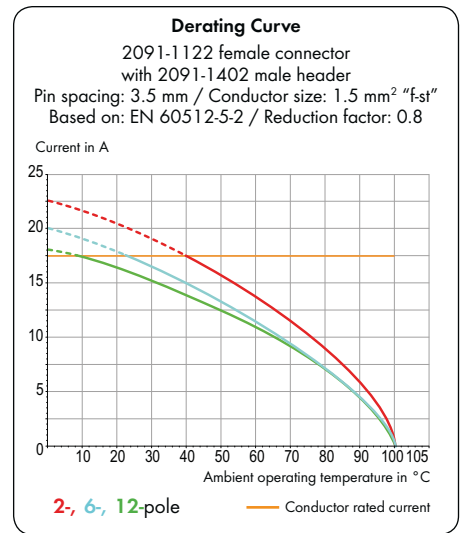
Solder pin: length/width	3.6 mm / 1.0 mm Ø
Solder pin: drilled hole diameter	1.2 ^{+0.1} mm

Solder pin data for THR* (reflow soldering):**

Solder pin: length/width	2.4 mm / 1.0 mm Ø
Solder pin: metal-plated hole	1.2 ^{+0.1} mm Ø

Material data:

Material group	I
Insulation material	Glass-fiber-reinforced polyphthalamide (PPA-GF)
Flammability rating per UL 94	V0
Lower/Upper limit temperature	-60 °C / +100 °C
Contact material	Electrolytic copper (E _{Cu})
Contact plating	tin-plated



For additional derating curves, see page 71.

Accessories for picoMAX®:

Page:

Coding pins	66
-------------	----

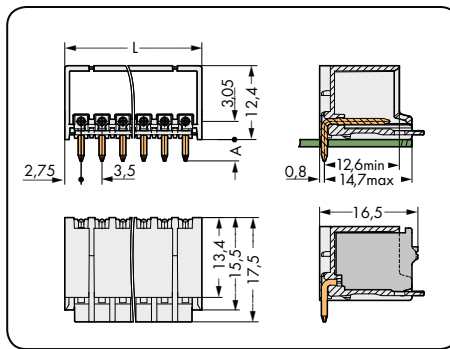
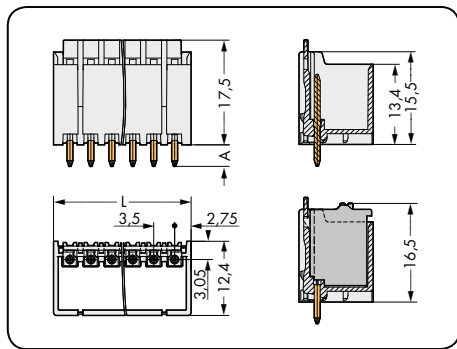
The **picoMAX® pluggable connection system** includes connectors without breaking capacity in accordance with DIN EN 61984. When used as intended, these connectors shall not be connected/disconnected when live or under load. The circuit design should ensure header pins, which can be touched, are not live when unmated.



Male Headers with Solder Pins

picoMAX® 3.5

With straight solder pins Pin spacing: 3.5 mm / 0.138 in	With angled solder pins Pin spacing: 3.5 mm / 0.138 in	Types of assembly with female connectors
160 V/2.5 kV/2 10 A	160 V/2.5 kV/2 10 A	

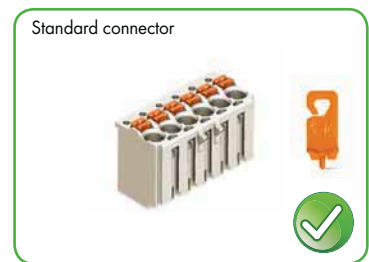


L = (pole no. x pin spacing) + 2 mm
 A = 3.6 mm (THT solder pin)
 A = 2.4 mm (THR solder pin)

Pole No.	Item No.	Pack. Unit	Pole No.	Item No.	Pack. Unit
Male header with straight solder pins, light gray			Male header with angled solder pins, light gray		
2	2091-1402	200	2	2091-1422	200
3	2091-1403	200	3	2091-1423	200
4	2091-1404	200	4	2091-1424	200
5	2091-1405	200	5	2091-1425	200
6	2091-1406	100	6	2091-1426	100
8	2091-1408	100	8	2091-1428	100
10	2091-1410	100	10	2091-1430	100
12	2091-1412	100	12	2091-1432	100

Item no. suffix for colored THR version:

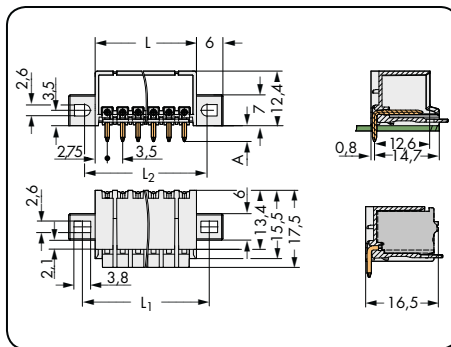
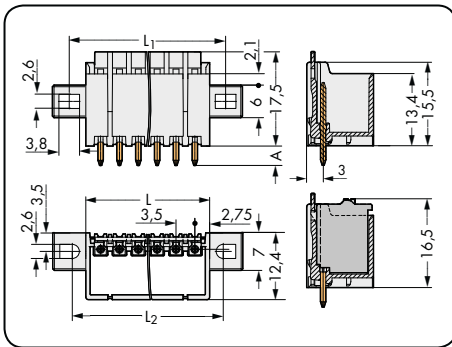
○ light gray/200-000	Ordering example:
THR male headers with solder pins in tape-and-reel packaging available upon request		THR male header with straight solder pins, 3.5 mm pin spacing, 8-pole, light gray: 2091-1408/200-000



3.5

Male Headers with Solder Pins and Fixing Flanges picoMAX® 3.5

With straight solder pins and fixing flanges Pin spacing: 3.5 mm / 0.138 in	With angled solder pins and fixing flanges Pin spacing: 3.5 mm / 0.138 in	Types of assembly with female connectors
160 V/2.5 kV/2 10 A	160 V/2.5 kV/2 10 A	



- L = (pole no. x pin spacing) + 2 mm
- L₁ = (pole no. x pin spacing) + 7.8 mm
- L₂ = (pole no. x pin spacing) + 6.8 mm
- A = 3.6 mm (THT solder pin)
- A = 2.4 mm (THR solder pin)

Pole No.	Item No.	Pack. Unit	Pole No.	Item No.	Pack. Unit
Male header with straight solder pins and fixing flanges, light gray			Male header with angled solder pins and fixing flanges, light gray		
2	2091-1402/005-000	200	2	2091-1422/005-000	200
3	2091-1403/005-000	200	3	2091-1423/005-000	200
4	2091-1404/005-000	200	4	2091-1424/005-000	200
5	2091-1405/005-000	200	5	2091-1425/005-000	200

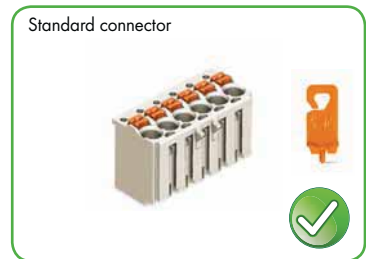
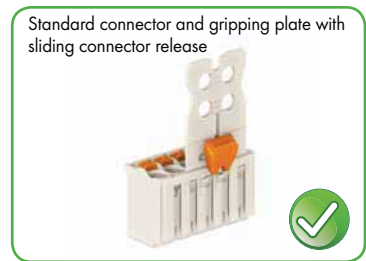
Item no. suffix for colored THR version:

○ light gray -...../205-000

Ordering example:

THR male headers with solder pins in tape-and-reel packaging available upon request

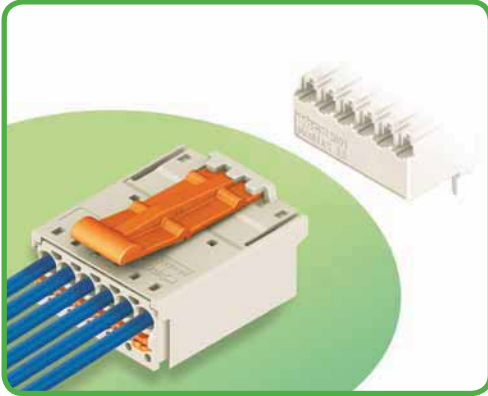
THR male header with straight solder pins and fixing flanges, 3.5 mm pin spacing, 5-pole, light gray: **2091-1405/205-000**



Disconnection: Open locking latches via unlocking tool.



Standard Male Connectors picoMAX® 3.5



- Universal connection for all conductor types
- Simple, push-in termination of solid and ferruled conductors
- Easy-to-use design does not require specialty tools
- Testing port parallel to conductor entry – tip contact
- For “wire-to-wire” and “board-to-wire” connections
- Integrated release lever
- Also available with gripping plates

Technical data:

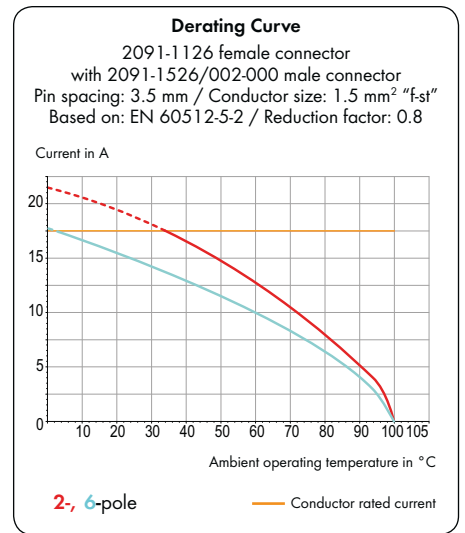
Pin Spacing	3.5 mm 0.138 in		
Ratings per	IEC/EN 60664-1		
Overtoltage category	III	III	II
Pollution degree	3	2	2
Rated voltage	160 V	160 V	320 V
Rated surge voltage	2.5 kV	2.5 kV	2.5 kV
Nominal current	10 A	10 A	10 A
Approvals per	UL/CSA*		
Use group UL 1059	B	C	D
Rated voltage	-	-	-
Nominal current UL	-	-	-
Nominal current CSA	-	-	-

Conductor data:

Connection technology	CAGE CLAMP® S	
Conductor size: solid	0.2 - 1.5 mm ²	
Conductor size: fine-stranded	0.2 - 1.5 mm ²	
Conductor size: fine-stranded	0.25 - 0.75 mm ² (with insulated ferrule)	
Conductor size: fine-stranded	0.25 - 1.5 mm ² (with uninsulated ferrule)	
AWG	24 - 14	14: THHN, THWN
Strip length	8 - 9 mm / 0.31 - 0.35 in	

Material data:

Material group	I
Insulation material	Glass-fiber-reinforced polyphthalamide (PPA-GF)
Flammability rating per UL 94	V0
Lower/Upper limit temperature	-60 °C / +100 °C
Clamping spring material	Chrome nickel spring steel (CrNi)
Contact material	Electrolytic copper (E _{cu})
Contact plating	tin-plated



For additional derating curves, see page 71.

Accessories for picoMAX®:

Page:

Operating tools	64
Direct printing	68
Gripping plates	65
Coding pins	66
Test pin	64

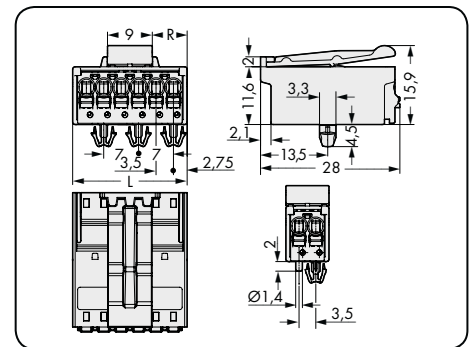
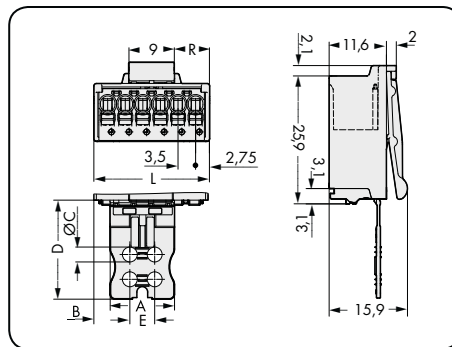
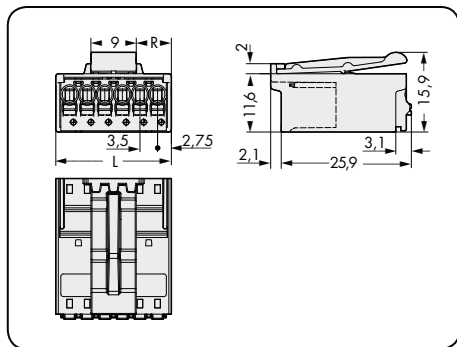
The **picoMAX® pluggable connection system** includes connectors without breaking capacity in accordance with DIN EN 61984. When used as intended, these connectors shall not be connected/disconnected when live or under load. The circuit design should ensure header pins, which can be touched, are not live when unmated.

Standard Male Connectors picoMAX® 3.5

Pin spacing: 3.5 mm / 0.138 in		With gripping plate Pin spacing: 3.5 mm / 0.138 in		With snap-in mounting feet Pin spacing: 3.5 mm / 0.138 in	
0.2 - 1.5 mm ²	AWG 24 - 14	0.2 - 1.5 mm ²	AWG 24 - 14	0.2 - 1.5 mm ²	AWG 24 - 14
160 V/2.5 kV/2 10 A		160 V/2.5 kV/2 10 A		160 V/2.5 kV/2 10 A	



3.5



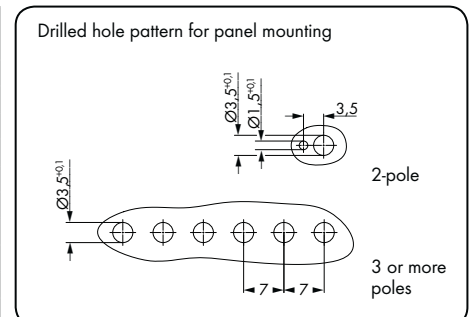
L = (pole no. x pin spacing) + 2 mm
 Even pole number R = (L - 9 mm) : 2
 Odd pole number R = (L - 12.5 mm) : 2

Pole No.	Item No.	Pack. Unit	Pole No.	Item No.	Pack. Unit	Pole No.	Item No.	Pack. Unit
Male connector, light gray			Male connector with gripping plate, light gray			Male connector with snap-in mounting feet, for 0.6 - 1.2 mm plate thickness, light gray		
2	2091-1522/002-000	200	2	2091-1502/002-000	200	2	2091-1522/020-000	200
4	2091-1524/002-000	200	4	2091-1504/002-000	100	4	2091-1524/020-000	200
6	2091-1526/002-000	100	6	2091-1506/002-000	50	6	2091-1526/020-000	100
8	2091-1528/002-000	100	8	2091-1508/002-000	50	8	2091-1528/020-000	100

Product Accessories	Page
Mounting adapter for DIN 35 rail, 3 or more poles (209-189)	66

Gripping plate dimensions (in mm):

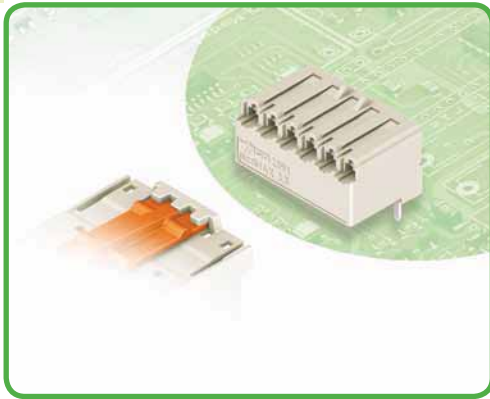
Pole No.	A	B	C	D	E
2	6	3	-	17	-
4	6	3.25	-	17	-
6	13	3.25	3	20	5
8	13	6.75	3	20	5



Standard male connectors can be combined with any female connectors/headers.

Female Headers with Solder Pins

picoMAX® 3.5



- Horizontal or vertical PCB mounting via straight or angled solder pins
- Touch-proof PCB outputs
- Easy-to-identify PCB inputs and outputs
- Coding pins available

Technical data:

Pin Spacing	3.5 mm 0.138 in		
Ratings per	IEC/EN 60664-1		
Overtoltage category	III	III	II
Pollution degree	3	2	2
Rated voltage	160 V	160 V	320 V
Rated surge voltage	2.5 kV	2.5 kV	2.5 kV
Nominal current	10 A	10 A	10 A
Approvals per	UL/CSA*		
Use group UL 1059	B	C	D
Rated voltage	-	-	-
Nominal current UL	-	-	-
Nominal current CSA	-	-	-

Solder pin data for THT (wave soldering):

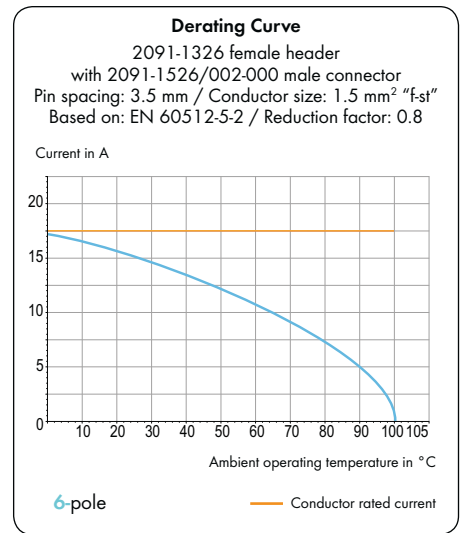
Solder pin: length/width	3.6 mm / 0.4 x 0.9 mm
Solder pin: drilled hole diameter	1.1 ^{+0.1} mm

Solder pin data for THR (reflow soldering):**

Solder pin: length/width	2.4 mm / 0.4 x 0.9 mm
Solder pin: metal-plated hole	1.1 ^{+0.1} mm Ø

Material data:

Material group	I
Insulation material	Glass-fiber-reinforced polyphthalamide (PPA-GF)
Flammability rating per UL 94	V0
Lower/Upper limit temperature	-60 °C / +100 °C
Contact material	Copper alloy
Contact plating	tin-plated



For additional derating curves, see page 71.

Accessories for picoMAX®:

Page:

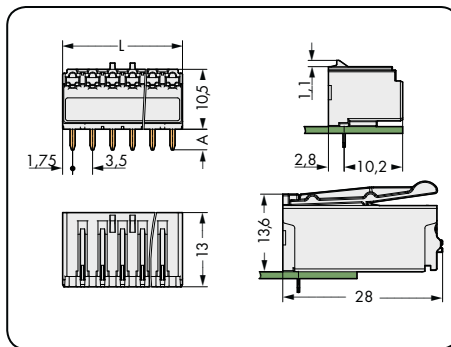
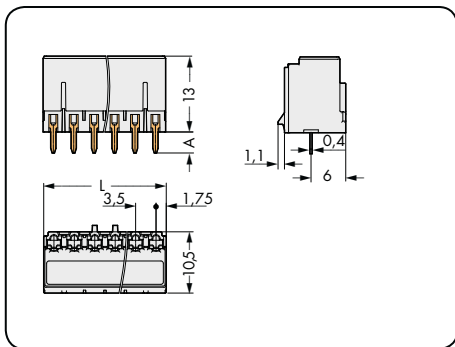
Coding pins	66

The **picoMAX® pluggable connection system** includes connectors without breaking capacity in accordance with DIN EN 61984. When used as intended, these connectors shall not be connected/disconnected when live or under load. The circuit design should ensure header pins, which can be touched, are not live when unmated.

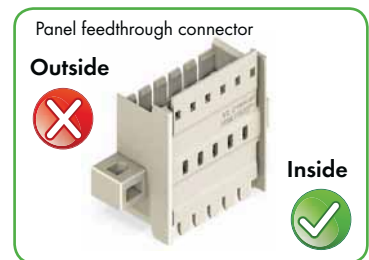
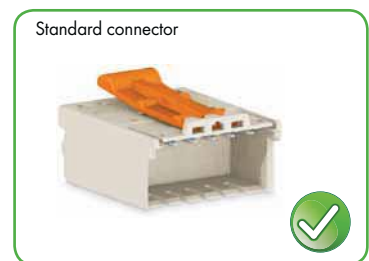
Female Headers with Solder Pins

picoMAX® 3.5

With straight solder pins Pin spacing: 3.5 mm / 0.138 in	With angled solder pins Pin spacing: 3.5 mm / 0.138 in	Types of assembly with male connectors
160 V/2.5 kV/2 10 A	160 V/2.5 kV/2 10 A	



L = pole no. x pin spacing
 A = 3.6 mm (THT solder pin)
 A = 2.4 mm (THR solder pin)



Pole No.	Item No.	Pack. Unit	Pole No.	Item No.	Pack. Unit
Female header with straight solder pins, light gray			Female header with angled solder pins, light gray		
2	2091-1302	200	2	2091-1322	200
4	2091-1304	200	4	2091-1324	200
6	2091-1306	100	6	2091-1326	100
8	2091-1308	100	8	2091-1328	100

Item no. suffix for colored THR version:

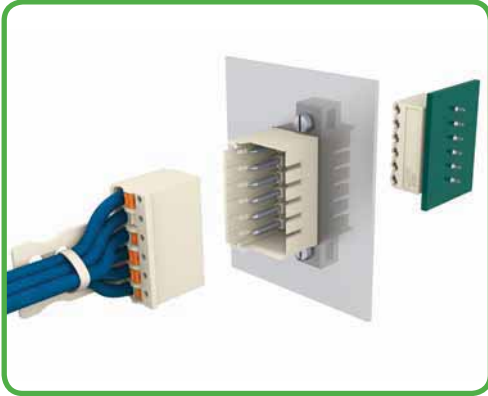
○ light gray/200-000	Ordering example:
THR female headers with solder pins in tape-and-reel packaging available upon request		THR female header with straight solder pins, 3.5 mm pin spacing, 8-pole, light gray: 2091-1308/200-000

3.5

Panel Feedthrough Male Connectors with Fixing Flanges

picoMAX® 3.5

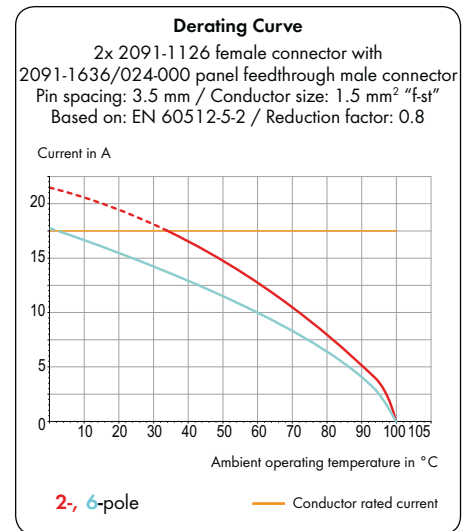
26



- Male connectors for screw mounting in device or enclosure panels
- External plug-in connection to standard female connector via integrated locking latches
- Internal plug-in connection to female header with solder pins or standard female connector
- Fixing flanges also suitable for panel mounting

Technical data:

Pin Spacing	3.5 mm 0.138 in		
	IEC/EN 60664-1		
Ratings per	III	III	II
Overtoltage category	3	2	2
Pollution degree	3	2	2
Rated voltage	160 V	160 V	320 V
Rated surge voltage	2.5 kV	2.5 kV	2.5 kV
Nominal current	10 A	10 A	10 A
Approvals per	UL/CSA*		
Use group UL 1059	B	C	D
Rated voltage	-	-	-
Nominal current UL	-	-	-
Nominal current CSA	-	-	-



For additional derating curves, see page 71.

Material data:

Material group	I
Insulation material	Glass-fiber-reinforced polyphthalamide (PPA-GF)
Flammability rating per UL 94	V0
Lower/Upper limit temperature	-60 °C / +100 °C
Contact material	Electrolytic copper (E _{Cu})
Contact plating	tin-plated

Accessories for picoMAX®:

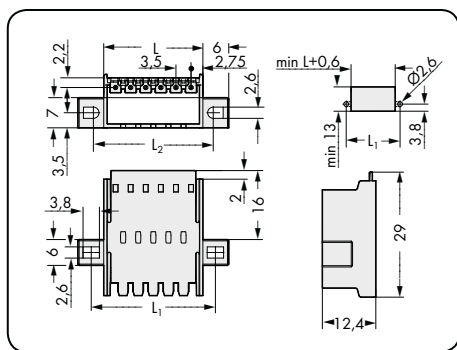
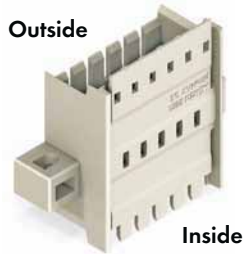
Page:

Operating tools	64
Coding pins	66
Test pin	64

The **picoMAX® pluggable connection system** includes connectors without breaking capacity in accordance with DIN EN 61984. When used as intended, these connectors shall not be connected/disconnected when live or under load. The circuit design should ensure header pins, which can be touched, are not live when unmated.

Panel Feedthrough Male Connectors with Fixing Flanges picoMAX® 3.5

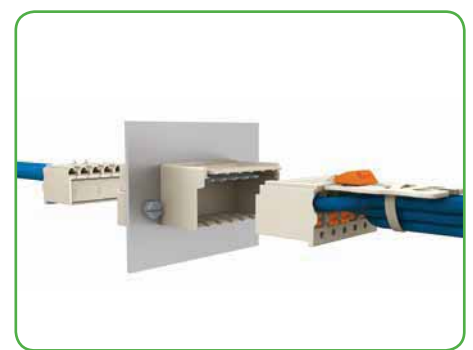
<p>Pin spacing: 3.5 mm / 0.138 in</p> <p>160 V/2.5 kV/2 10 A</p>	<p>Types of assembly with female connectors/headers</p>	<p>Applications</p>
--	---	---------------------



L = (pole no. x pin spacing) + 2 mm
 L_1 = (pole no. x pin spacing) + 7.8 mm
 L_2 = (pole no. x pin spacing) + 6.8 mm

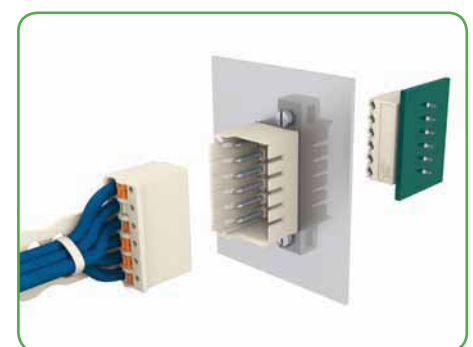
Pole No.	Item No.	Pack. Unit
Panel feedthrough male connector with fixing flanges, light gray		
2	2091-1632/024-000	100
4	2091-1634/024-000	100
6	2091-1636/024-000	50
8	2091-1638/024-000	50

Standard connector and gripping plate with sliding connector release



"Wire-to-wire" panel feedthrough connection
Notice: Male connectors shall not be live when disconnected!


Standard connector and gripping plate



"Wire-to-board" panel feedthrough connection

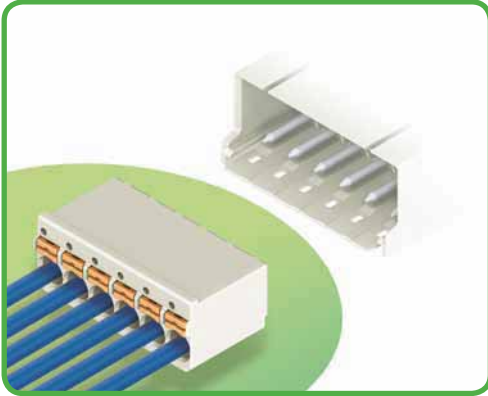
Standard connector

Header with straight or angled solder pins

 Disconnection: Open locking latches via unlocking tool.

3.5

Standard Female Connectors picoMAX® 5.0



- Universal connection for all conductor types
- Simple, push-in termination of solid and ferruled conductors
- Ability to wire while mated or unmated
- Testing port parallel to conductor entry – tip contact
- Integrated locking latches prevent accidental disconnection

Technical data:

Pin Spacing	5 mm 0.197 in		
Ratings per	IEC/EN 60664-1		
Overtension category	III	III	II
Pollution degree	3	2	2
Rated voltage	250 V	320 V	630 V
Rated surge voltage	4 kV	4 kV	4 kV
Nominal current	16 A	16 A	16 A
Approvals per	UL/CSA*		
Use group UL 1059	B	C	D
Rated voltage	-	-	-
Nominal current UL	-	-	-
Nominal current CSA	-	-	-

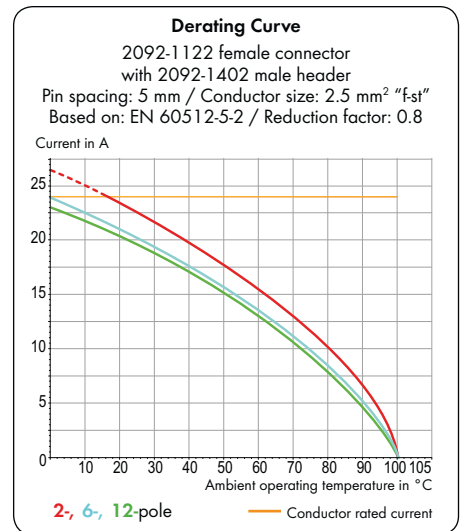
Conductor data:

Connection technology	CAGE CLAMP® S	
Conductor size: solid	0.2 - 2.5 mm ²	
Conductor size: fine-stranded	0.2 - 2.5 mm ²	
Conductor size: fine-stranded	0.25 - 1.5 mm ² (with insulated ferrule)	
Conductor size: fine-stranded	0.25 - 2.5 mm ² (with uninsulated ferrule)	
AWG	24 - 12	12: THHN, THWN
Strip length	9 - 10 mm / 0.35 - 0.39 in	

Material data:

Material group	I
Insulation material	Glass-fiber-reinforced polyphthalamide (PPA-GF)
Flammability rating per UL 94	V0
Lower/Upper limit temperature	-60 °C / +100 °C
Clamping spring material	Chrome nickel spring steel (CrNi)
Contact material	Electrolytic copper (E _{Cu})
Contact plating	tin-plated

The **picoMAX® pluggable connection system** includes connectors without breaking capacity in accordance with DIN EN 61984. When used as intended, these connectors shall not be connected/disconnected when live or under load. The circuit design should ensure header pins, which can be touched, are not live when unmated.



For additional derating curves, see page 72.

Accessories for picoMAX®:

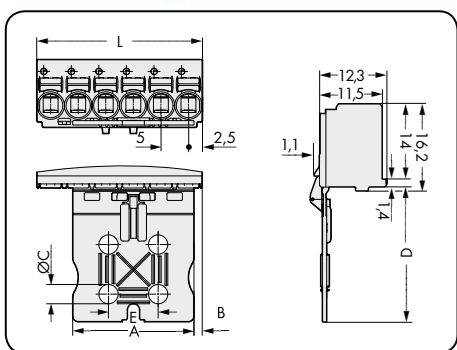
Page:

Operating tools	64
Direct printing	68
Gripping plates	65
Coding pins	66
Test pin	64



Standard Female Connectors picoMAX® 5.0

<p>With gripping plate and sliding connector release Pin spacing: 5 mm / 0.197 in</p> <p>0.2 - 2.5 mm² AWG 24 - 12 320 V/4 kV/2 16 A</p>	<p>Types of assembly with male headers/connectors</p>	
---	---	--

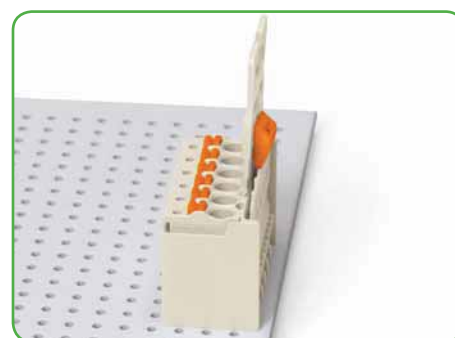
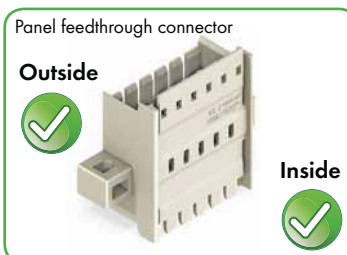
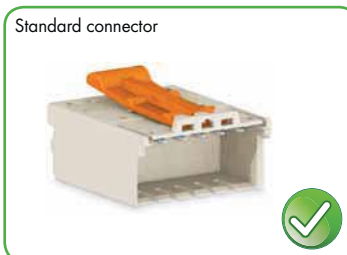


L = pole no. x pin spacing

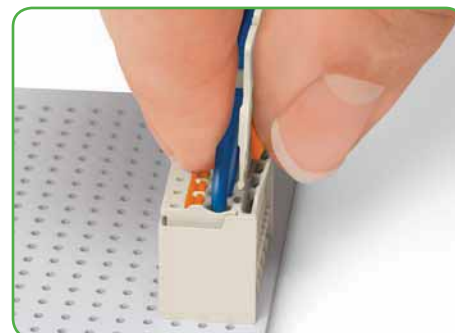
Pole No.	Item No.	Pack. Unit
Female connector with gripping plate and sliding connector release, light gray		
2	2092-1102/002-000	100
3	2092-1103/002-000	100
4	2092-1104/002-000	100
5	2092-1105/002-000	50
6	2092-1106/002-000	50
8	2092-1108/002-000	50
10	2092-1110/002-000	50
12	2092-1112/002-000	50

Gripping plate dimensions (in mm):

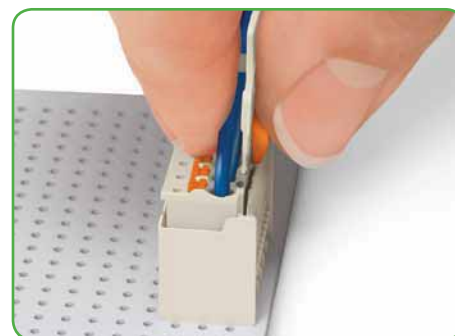
Pole No.	A	B	C	D	E
2	7	1.5	-	20	-
3	12	1.5	-	20	-
4	12	1.5	-	20	-
5	22	1.5	3.5	25	9
6	22	1.5	3.5	25	9
8	22	6.5	3.5	25	9
10	42	1.5	5.0	35	19
12	42	6.5	5.0	35	19



Male header mated to a female connector with gripping plate and sliding connector release.



Push down sliding connector release (gripping plate) to open the locking latch.

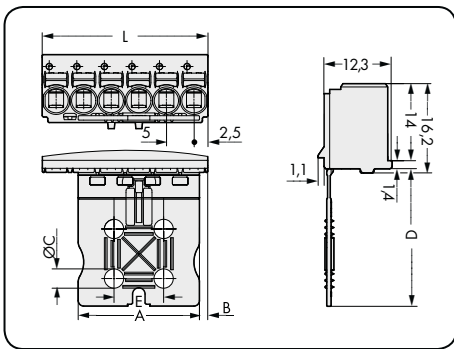


Pull out female connector with gripping plate from male header.

5.0

Standard Female Connectors picoMAX® 5.0

<p>With gripping plate Pin spacing: 5 mm / 0.197 in</p> <p>0.2 – 2.5 mm² AWG 24 – 12 320 V/4 kV/2 16 A</p>	<p>Types of assembly with male headers/connectors</p>
--	--

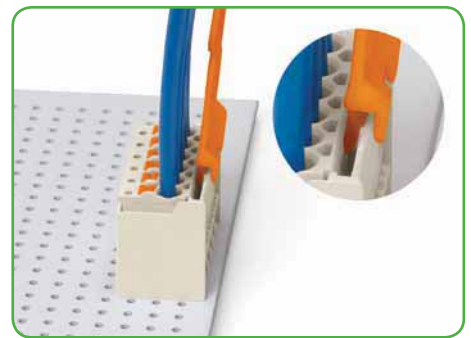
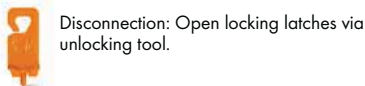
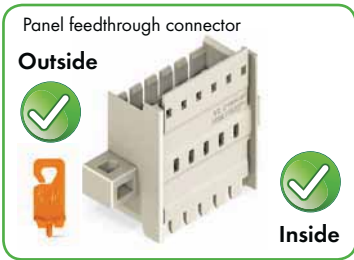


L = pole no. x pin spacing

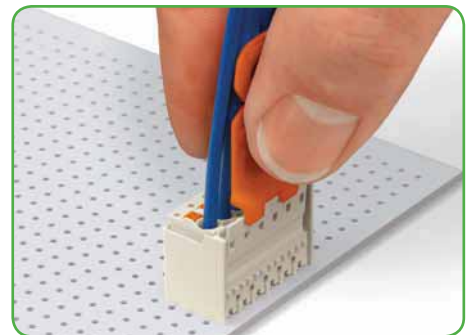
Pole No.	Item No.	Pack.	Unit
Female connector with gripping plate, light gray			
2	2092-1102	100	
3	2092-1103	100	
4	2092-1104	100	
5	2092-1105	50	
6	2092-1106	50	
8	2092-1108	50	
10	2092-1110	50	
12	2092-1112	50	
Product Accessories			
Unlocking tool (2092-1630)			64

Gripping plate dimensions (in mm):

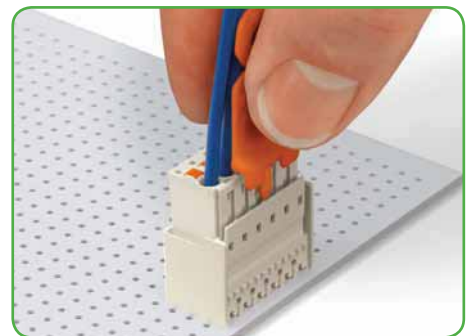
Pole No.	A	B	C	D	E
2	7	1.5	-	20	-
3	12	1.5	-	20	-
4	12	1.5	-	20	-
5	22	1.5	3.5	25	9
6	22	1.5	3.5	25	9
8	22	6.5	3.5	25	9
10	42	1.5	5.0	35	19
12	42	6.5	5.0	35	19



Disconnecting female connector via unlocking tool. Plug unlocking tool into the male header's locking latch.



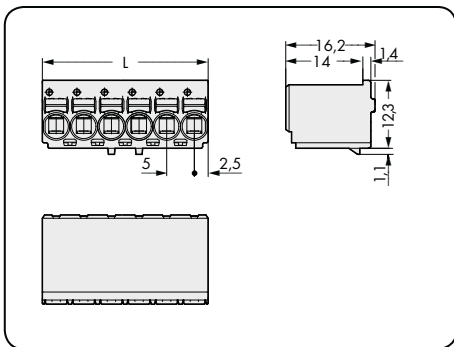
Insert unlocking tool until it hits backstop. Wedge opens locking latch.



Pull on both unlocking tool and conductors to remove female connector from male header.

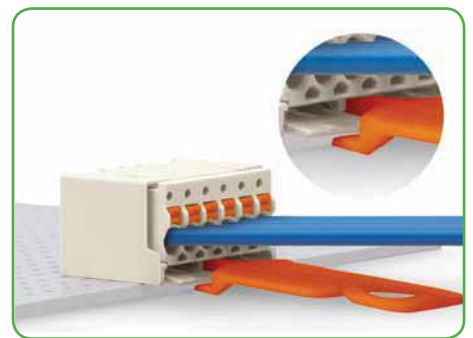
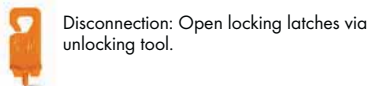
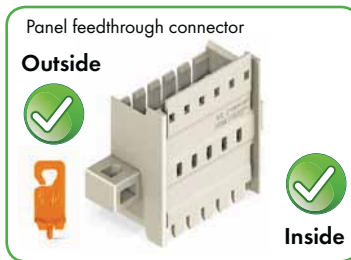
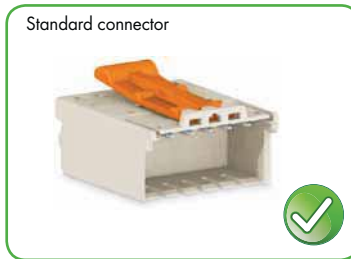
Standard Female Connectors picoMAX® 5.0

<p>Pin spacing 5 mm / 0.197 in</p> <p>0.2 - 2.5 mm² AWG 24 - 12</p> <p>320 V/4 kV/2 16 A</p>		<p>Types of assembly with male headers/connectors</p>
---	--	---

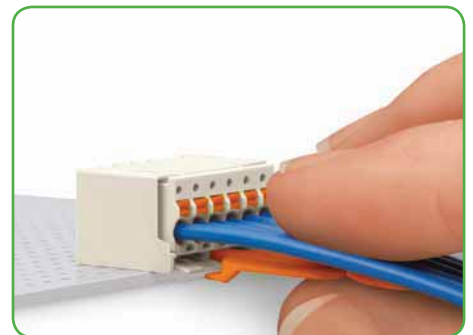


L = pole no. x pin spacing

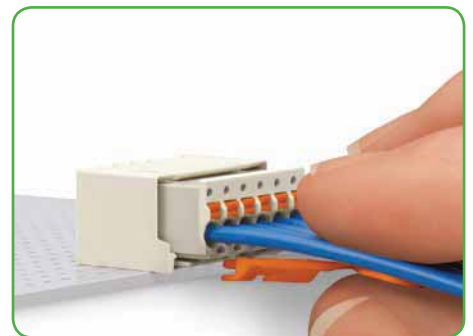
Pole No.	Item No.	Pack. Unit
Female connector, light gray		
2	2092-1122	200
3	2092-1123	200
4	2092-1124	200
5	2092-1125	200
6	2092-1126	100
8	2092-1128	100
10	2092-1130	100
12	2092-1132	100
Product Accessories		Page
Unlocking tool (2092-1630)		64



Disconnecting female connector via unlocking tool. Plug unlocking tool into the male header's locking latch.

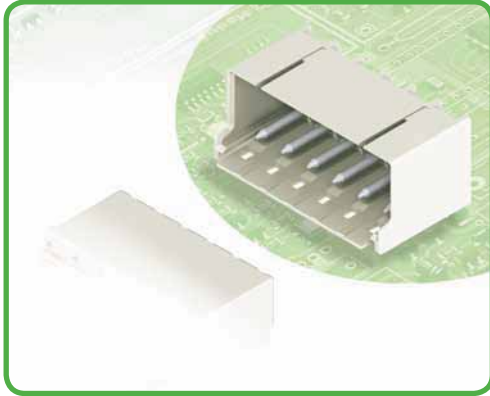


Insert unlocking tool until it hits backstop. Wedge opens locking latch.



Pull on both unlocking tool and conductors to remove female connector from male header.

Male Headers with Solder Pins picoMAX® 5.0



- Horizontal or vertical PCB mounting via straight or angled solder pins
- Assembly of female connectors without loss of poles, allowing different functions to be divided within one male header
- Coding pins inserted into the header interface prevent mismating, allowing subsequent coding in panel feedthrough applications
- Female connector is almost fully shrouded by the male header, providing vibration-resistance up to 20 g*

Technical data:

Pin Spacing	5 mm 0.197 in		
Ratings per	IEC/EN 60664-1		
Overtoltage category	III	III	II
Pollution degree	3	2	2
Rated voltage	250 V	320 V	630 V
Rated surge voltage	4 kV	4 kV	4 kV
Nominal current	16 A	16 A	16 A
Approvals per	UL/CSA**		
Use group UL 1059	B	C	D
Rated voltage	-	-	-
Nominal current UL	-	-	-
Nominal current CSA	-	-	-

Solder pin data for THT (wave soldering):

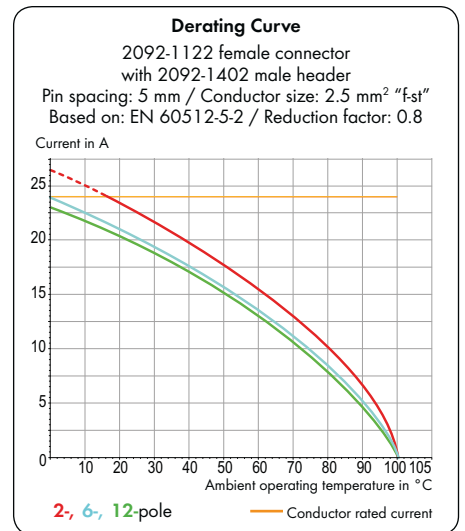
Solder pin: length/width	3.6 mm / 1.4 mm Ø
Solder pin: drilled hole diameter	1.6 ^{+0.1} mm

Solder pin data for THR (reflow soldering):**

Solder pin: length/width	2.4 mm / 1.4 mm Ø
Solder pin: metal-plated hole	1.6 ^{+0.1} mm Ø

Material data:

Material group	I
Insulation material	Glass-fiber-reinforced polyphthalamide (PPA-GF)
Flammability rating per UL 94	V0
Lower/Upper limit temperature	-60 °C / +100 °C
Contact material	Electrolytic copper (E _{Cu})
Contact plating	tin-plated



For additional derating curves, see page 72.

Accessories for picoMAX®:

Page:

Coding pins	66
-------------	----

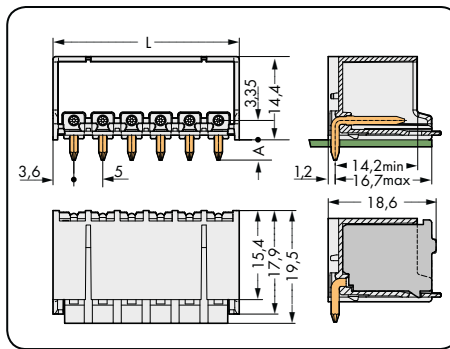
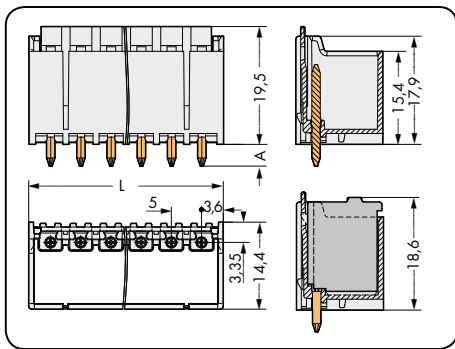
The **picoMAX® pluggable connection system** includes connectors without breaking capacity in accordance with DIN EN 61984. When used as intended, these connectors shall not be connected/disconnected when live or under load. The circuit design should ensure header pins, which can be touched, are not live when unmated.



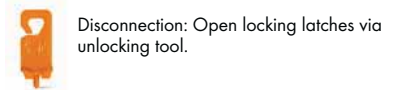
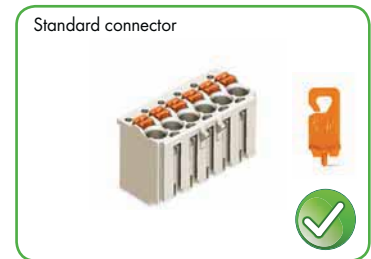
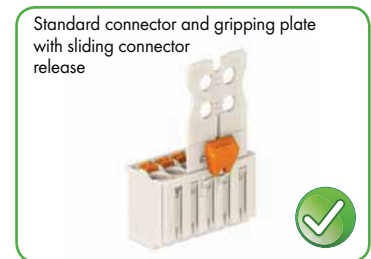
Male Headers with Solder Pins

picoMAX® 5.0

With straight solder pins Pin spacing: 5 mm / 0.197 in	With angled solder pins Pin spacing: 5 mm / 0.197 in	Types of assembly with female connectors
320 V/4 kV/2 16 A	320 V/4 kV/2 16 A	



L = (pole no. x pin spacing) + 2.2 mm
 A = 3.6 mm (THT solder pin)
 A = 2.4 mm (THR solder pin)



Pole No.	Item No.	Pack. Unit	Pole No.	Item No.	Pack. Unit
Male header with straight solder pins, light gray			Male header with angled solder pins, light gray		
2	2092-1402	200	2	2092-1422	200
3	2092-1403	200	3	2092-1423	200
4	2092-1404	200	4	2092-1424	200
5	2092-1405	200	5	2092-1425	200
6	2092-1406	100	6	2092-1426	100
8	2092-1408	100	8	2092-1428	100
10	2092-1410	100	10	2092-1430	100
12	2092-1412	100	12	2092-1432	100

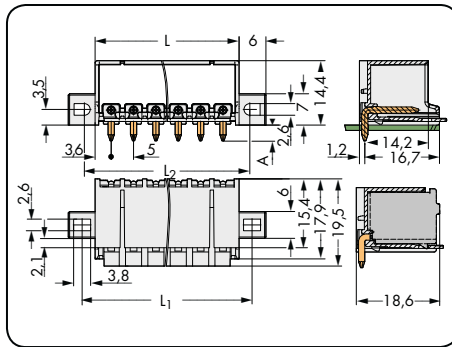
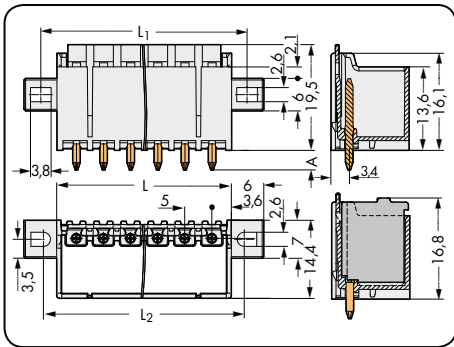
Item no. suffix for colored THR version:

○ light gray/200-000	Ordering example:
THR male headers with solder pins in tape-and-reel packaging available upon request		THR male header with straight solder pins, 5 mm pin spacing, 8-pole, light gray: 2092-1408/200-000

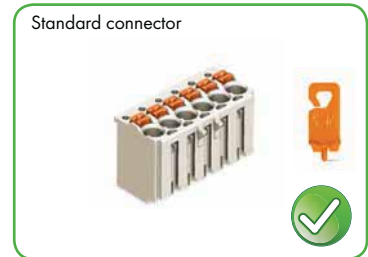
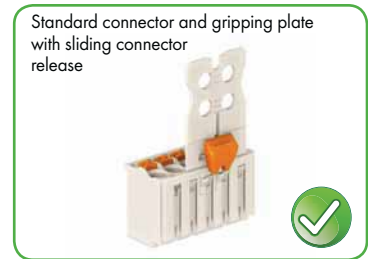


Male Headers with Solder Pins and Fixing Flanges picoMAX® 5.0

With straight solder pins and fixing flanges Pin spacing: 5 mm / 0.197 in 320 V/4 kV/2 16 A	With angled solder pins and fixing flanges Pin spacing: 5 mm / 0.197 in 320 V/4 kV/2 16 A	Types of assembly with female connectors
---	---	---



$L = (\text{pole no.} \times \text{pin spacing}) + 2.2 \text{ mm}$
 $L_1 = (\text{pole no.} \times \text{pin spacing}) + 8 \text{ mm}$
 $L_2 = (\text{pole no.} \times \text{pin spacing}) + 7 \text{ mm}$
 $A = 3.6 \text{ mm (THT solder pin)}$
 $A = 2.4 \text{ mm (THR solder pin)}$



Pole No.	Item No.	Pack. Unit	Pole No.	Item No.	Pack. Unit
Male header with straight solder pins and fixing flanges, light gray			Male header with angled solder pins and fixing flanges, light gray		
2	2092-1402/005-000	200	2	2092-1422/005-000	200
3	2092-1403/005-000	200	3	2092-1423/005-000	200
4	2092-1404/005-000	200	4	2092-1424/005-000	200
5	2092-1405/005-000	200	5	2092-1425/005-000	200

Item no. suffix for colored THR version:

○ light gray -..../205-000

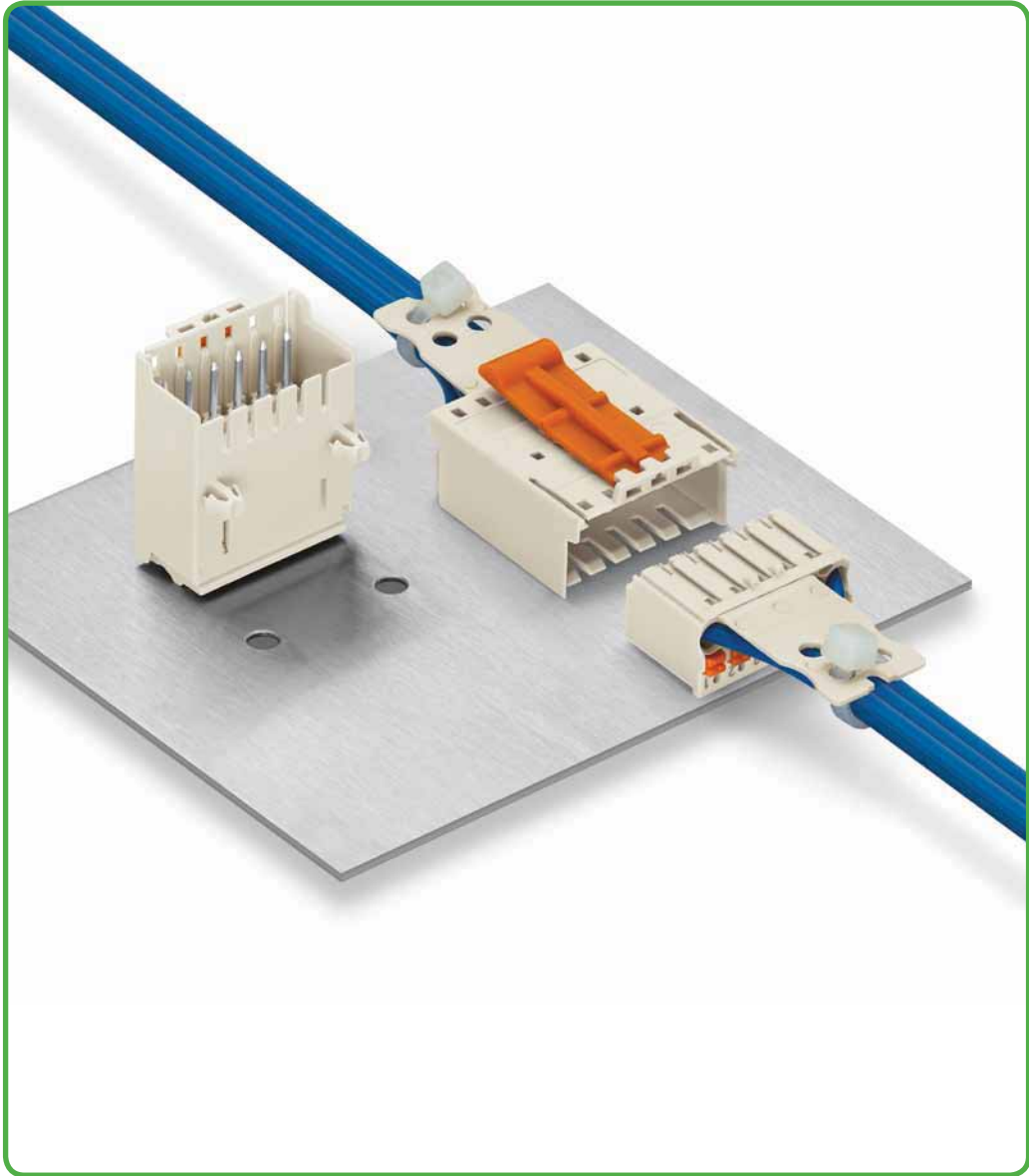
THR male headers with solder pins in tape-and-reel packaging available upon request

Ordering example:

THR male header with straight solder pins and fixing flanges, 5 mm pin spacing, 5-pole, light gray: **2092-1405/205-000**



Disconnection: Open locking latches via unlocking tool.



5.0

Standard Male Connectors picoMAX® 5.0



- Universal connection for all conductor types
- Simple, push-in termination of solid and ferruled conductors
- Easy-to-use design does not require specialty tools
- Testing port parallel to conductor entry – tip contact
- For “wire-to-wire” and “board-to-wire” connections
- Integrated release lever
- Also available with gripping plates

Technical data:

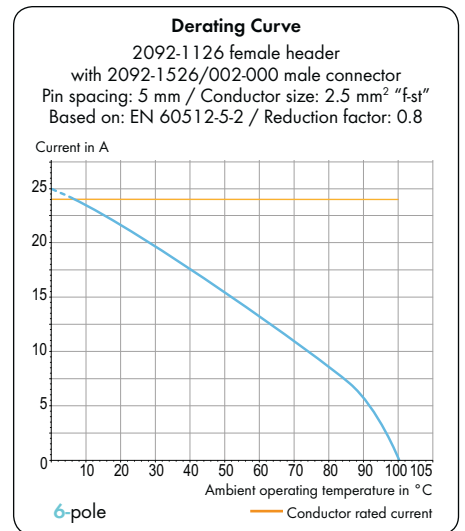
Pin Spacing	5 mm 0.197 in		
Ratings per	IEC/EN 60664-1		
Overtoltage category	III	III	II
Pollution degree	3	2	2
Rated voltage	250 V	320 V	630 V
Rated surge voltage	4 kV	4 kV	4 kV
Nominal current	16 A	16 A	16 A
Approvals per	UL/CSA*		
Use group UL 1059	B	C	D
Rated voltage	-	-	-
Nominal current UL	-	-	-
Nominal current CSA	-	-	-

Conductor data:

Connection technology	CAGE CLAMP® S	
Conductor size: solid	0.2 - 2.5 mm ²	
Conductor size: fine-stranded	0.2 - 2.5 mm ²	
Conductor size: fine-stranded	0.25 - 1.5 mm ² (with insulated ferrule)	
Conductor size: fine-stranded	0.25 - 2.5 mm ² (with uninsulated ferrule)	
AWG	24 - 12	12: THHN, THWN
Strip length	9 - 10 mm / 0.35 - 0.39 in	

Material data:

Material group	I
Insulation material	Glass-fiber-reinforced polyphthalamide (PPA-GF)
Flammability rating per UL 94	V0
Lower/Upper limit temperature	-60 °C / +100 °C
Clamping spring material	Chrome nickel spring steel (CrNi)
Contact material	Electrolytic copper (E _{cu})
Contact plating	tin-plated



For additional derating curves, see page 72.

Accessories for picoMAX®:

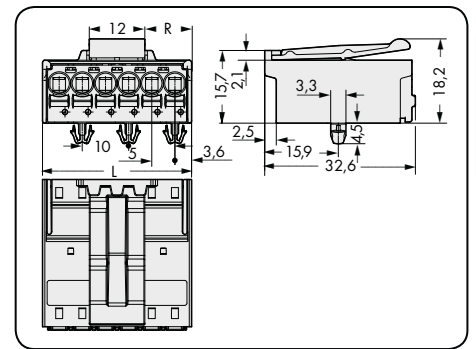
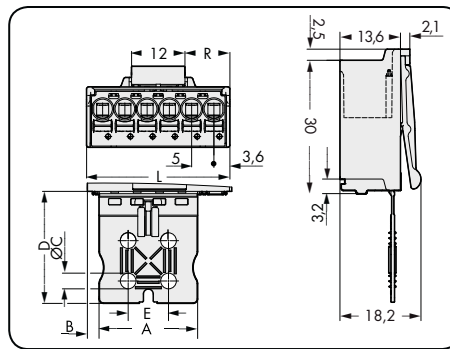
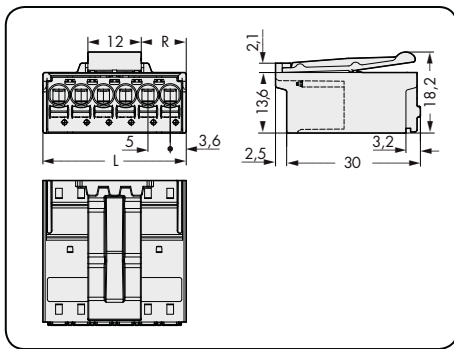
Page:

Gripping plates	65
Coding pins	66
Test pin	64

The **picoMAX® pluggable connection system** includes connectors without breaking capacity in accordance with DIN EN 61984. When used as intended, these connectors shall not be connected/disconnected when live or under load. The circuit design should ensure header pins, which can be touched, are not live when unmated.

Standard Male Connectors picoMAX® 5.0

Pin spacing: 5 mm / 0.197 in		With gripping plate Pin spacing: 5 mm / 0.197 in		With snap-in mounting feet Pin spacing: 5 mm / 0.197 in	
0.2 - 2.5 mm ² 320 V/4 kV/2 16 A	AWG 24 - 12	0.2 - 2.5 mm ² 320 V/4 kV/2 16 A	AWG 24 - 12	0.2 - 2.5 mm ² 320 V/4 kV/2 16 A	AWG 24 - 12



L = (pole no. x pin spacing) + 2.2 mm
 Even pole number R = (L - 12 mm) : 2
 Odd pole number R = (L - 17 mm) : 2

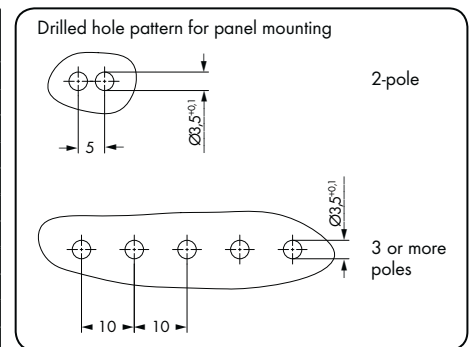
5.0

Pole No.	Item No.	Pack. Unit	Pole No.	Item No.	Pack. Unit	Pole No.	Item No.	Pack. Unit
Male connector, light gray			Male connector with gripping plate, light gray			Male connector with snap-in mounting feet, for 0.6 - 1.2 mm plate thickness, light gray		
2	2092-1522/002-000	200	2	2092-1502/002-000	100	2	2092-1522/020-000	200
3	2092-1523/002-000	100	3	2092-1503/002-000	100	3	2092-1523/020-000	100
4	2092-1524/002-000	100	4	2092-1504/002-000	50	4	2092-1524/020-000	100
5	2092-1525/002-000	100	5	2092-1505/002-000	50	5	2092-1525/020-000	100
6	2092-1526/002-000	100	6	2092-1506/002-000	50	6	2092-1526/020-000	50

Product Accessories	Page
Mounting adapter for DIN 35 rail, 3 or more poles (209-189)	66

Gripping plate dimensions (in mm):

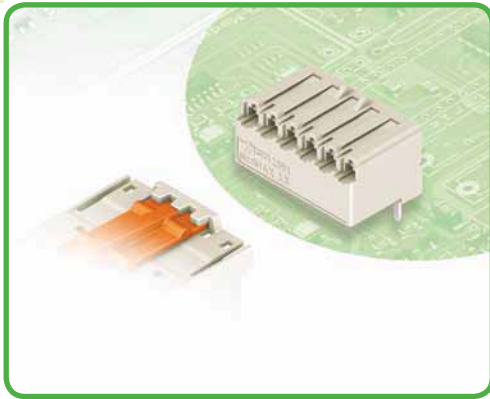
Pole No.	A	B	C	D	E
2	7	2.6	-	20	-
3	12	2.6	-	20	-
4	12	2.6	-	20	-
5	22	2.6	3.5	25	9
6	22	2.6	3.5	25	9



Standard male connectors can be combined with any female connectors/headers.

Female Headers with Solder Pins

picoMAX® 5.0



- Horizontal or vertical PCB mounting via straight or angled solder pins
- Touch-proof PCB outputs
- Easy-to-identify PCB inputs and outputs
- Coding pins available

Technical data:

Pin Spacing	5 mm 0.197 in		
Ratings per	IEC/EN 60664-1		
Overtoltage category	III	III	II
Pollution degree	3	2	2
Rated voltage	250 V	320 V	630 V
Rated surge voltage	4 kV	4 kV	4 kV
Nominal current	16 A	16 A	16 A
Approvals per	UL/CSA*		
Use group UL 1059	B	C	D
Rated voltage	-	-	-
Nominal current UL	-	-	-
Nominal current CSA	-	-	-

Solder pin data for THT (wave soldering):

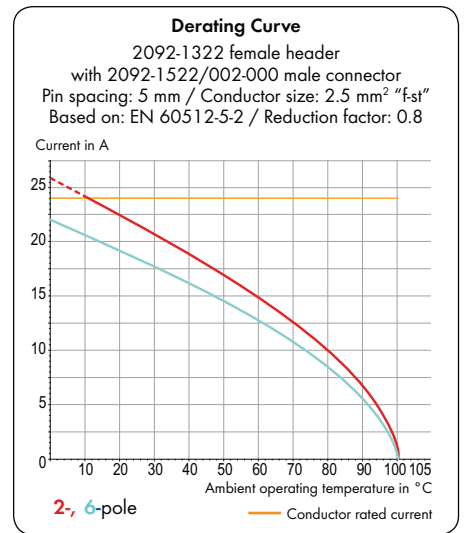
Solder pin: length/width	3.6 mm / 0.4 x 1.3 mm
Solder pin: drilled hole diameter	1.5 ^{+0.1} mm

Solder pin data for THR (reflow soldering):**

Solder pin: length/width	2.4 mm / 0.4 x 1.3 mm
Solder pin: metal-plated hole	1.5 ^{+0.1} mm Ø

Material data:

Material group	I
Insulation material	Glass-fiber-reinforced polyphthalamide (PPA-GF)
Flammability rating per UL 94	V0
Lower/Upper limit temperature	-60 °C / +100 °C
Contact material	Copper alloy
Contact plating	tin-plated



For additional derating curves, see page 72.

Accessories for picoMAX®:

Page:

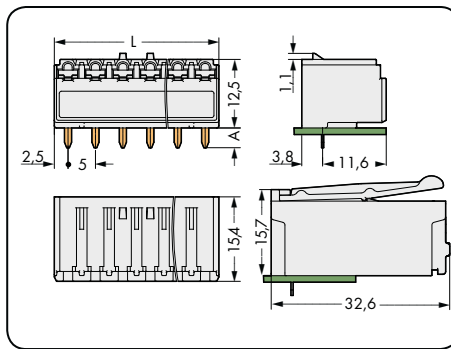
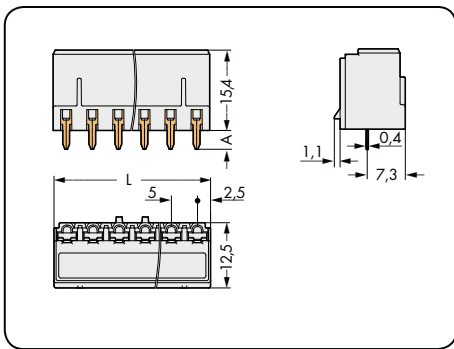
Coding pins	66

The **picoMAX® pluggable connection system** includes connectors without breaking capacity in accordance with DIN EN 61984. When used as intended, these connectors shall not be connected/disconnected when live or under load. The circuit design should ensure header pins, which can be touched, are not live when unmated.

Female Headers with Solder Pins

picoMAX® 5.0

With straight solder pins Pin spacing: 5 mm / 0.197 in	With angled solder pins Pin spacing: 5 mm / 0.197 in	Types of assembly with male connectors
320 V/4 kV/2 16 A	320 V/4 kV/2 16 A	

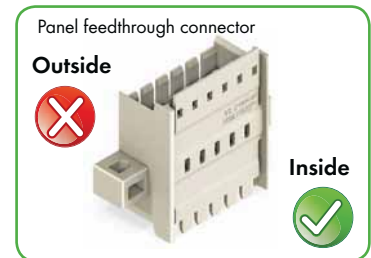
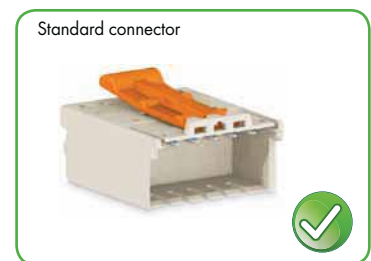


L = pole no. x pin spacing
 A = 3.6 mm (THT solder pin)
 A = 2.4 mm (THR solder pin)

Pole No.	Item No.	Pack. Unit	Pole No.	Item No.	Pack. Unit
Female header with straight solder pins, light gray			Female header with angled solder pins, light gray		
2	2092-1302	200	2	2092-1322	200
3	2092-1303	200	3	2092-1323	200
4	2092-1304	200	4	2092-1324	200
5	2092-1305	100	5	2092-1325	100
6	2092-1306	100	6	2092-1326	100

Item no. suffix for colored THR version:

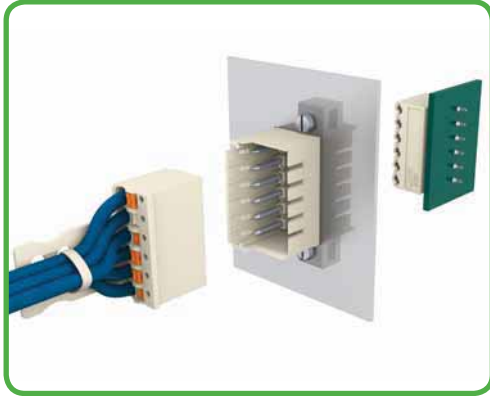
○ light gray/200-000	Ordering example:
THR female headers with solder pins in tape-and-reel packaging available upon request		THR female header with straight solder pins, 5 mm pin spacing, 8-pole, light gray: 2092-1308/200-000



5.0

Panel Feedthrough Male Connectors with Fixing Flanges

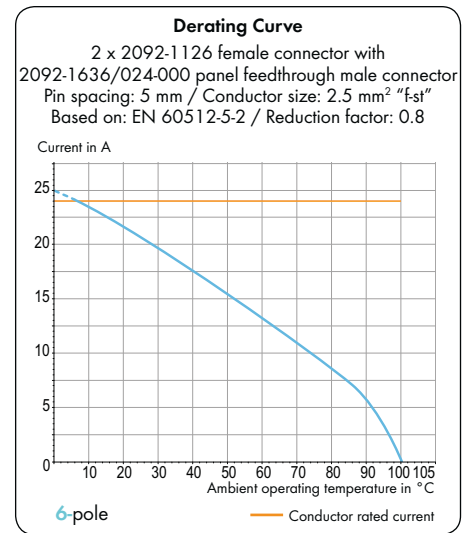
picoMAX® 5.0



- Male connectors for screw mounting in device or enclosure panels
- External plug-in connection to standard female connector via integrated locking latches
- Internal plug-in connection to female header with solder pins or standard female connector
- Fixing flanges also suitable for panel mounting

Technical data:

Pin Spacing	5 mm 0.197 in		
Ratings per	IEC/EN 60664-1		
Overtoltage category	III	III	II
Pollution degree	3	2	2
Rated voltage	250 V	320 V	630 V
Rated surge voltage	4 kV	4 kV	4 kV
Nominal current	16 A	16 A	16 A
Approvals per	UL/CSA*		
Use group UL 1059	B	C	D
Rated voltage	-	-	-
Nominal current UL	-	-	-
Nominal current CSA	-	-	-



For additional derating curves, see page 72.

Material data:

Material group	I
Insulation material	Glass-fiber-reinforced polyphthalamide (PPA-GF)
Flammability rating per UL 94	V0
Lower/Upper limit temperature	-60 °C / +100 °C
Contact material	Electrolytic copper (E _{Cu})
Contact plating	tin-plated

Accessories for picoMAX®:

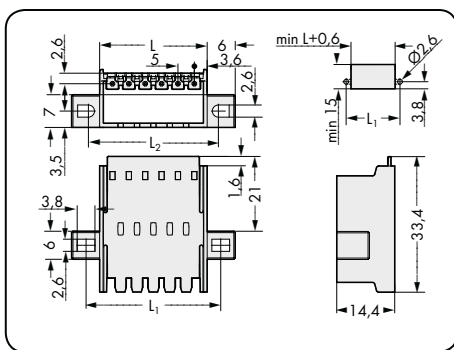
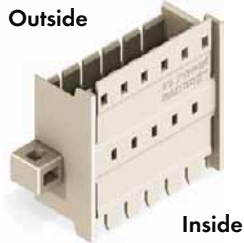
Page:

Operating tools	64
Coding pins	66
Test pin	64

The **picoMAX® pluggable connection system** includes connectors without breaking capacity in accordance with DIN EN 61984. When used as intended, these connectors shall not be connected/disconnected when live or under load. The circuit design should ensure header pins, which can be touched, are not live when unmated.

Panel Feedthrough Male Connectors with Fixing Flanges picoMAX® 5.0



<p>Pin spacing: 5 mm / 0.197 in</p> <p>320 V/4 kV/2 16 A</p>	<p>Types of assembly with female connectors/headers</p>	<p>Applications</p>
--	---	---------------------

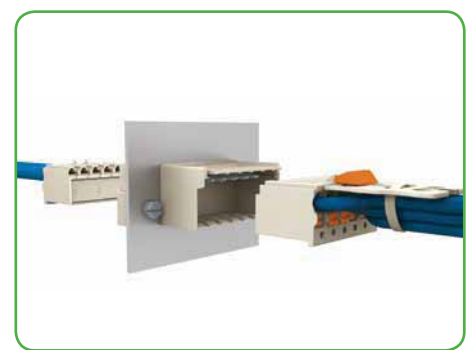


$L = (\text{pole no.} \times \text{pin spacing}) + 2.2 \text{ mm}$
 $L_1 = (\text{pole no.} \times \text{pin spacing}) + 8 \text{ mm}$
 $L_2 = (\text{pole no.} \times \text{pin spacing}) + 7 \text{ mm}$

Pole No.	Item No.	Pack. Unit
Panel feedthrough male connector with fixing flanges, light gray		
2	2092-1632/024-000	100
3	2092-1633/024-000	100
4	2092-1634/024-000	50
5	2092-1635/024-000	50
6	2092-1636/024-000	50



Standard connector and gripping plate with sliding connector release

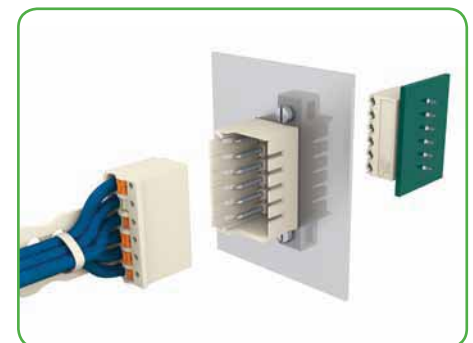
Outside  Inside 



"Wire-to-wire" panel feedthrough connection
 Notice: Male connectors shall not be live when disconnected!



Standard connector and gripping plate

Outside  Inside 






"Wire-to-board" panel feedthrough connection

Standard connector

Outside  Inside 

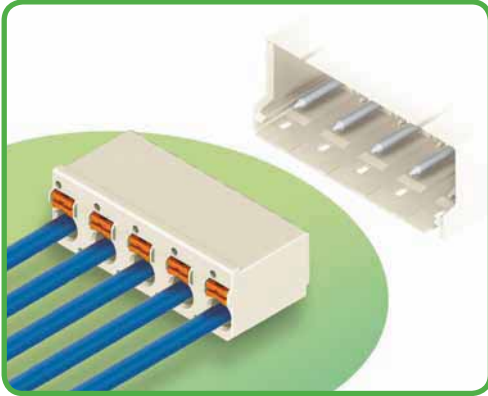
Header with straight or angled solder pins

Outside  Inside 

 Disconnection: Open locking latches via unlocking tool.

5.0

Standard Female Connectors picoMAX® 7.5



- Universal connection for all conductor types
- Simple, push-in termination of solid and ferruled conductors
- Ability to wire while mated or unmated
- Testing port parallel to conductor entry – tip contact
- Integrated locking latches prevent accidental disconnection

Technical data:

Pin Spacing	7.5 mm 0.295 in		
Ratings per	IEC/EN 60664-1		
Overtoltage category	III	III	II
Pollution degree	3	2	2
Rated voltage	400 V	630 V	1000 V
Rated surge voltage	6 kV	6 kV	6 kV
Nominal current	16 A	16 A	16 A
Approvals per	UL/CSA*		
Use group UL 1059	B	C	D
Rated voltage	-	-	-
Nominal current UL	-	-	-
Nominal current CSA	-	-	-

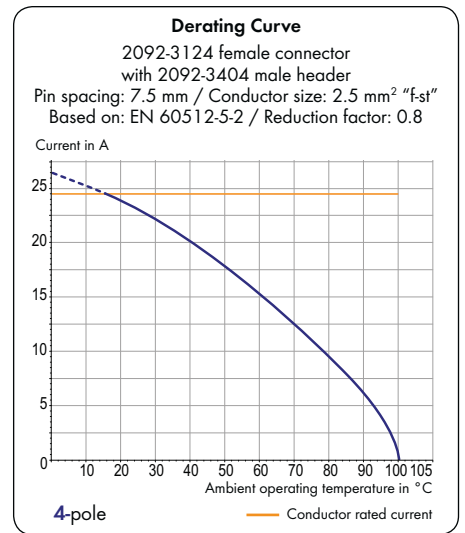
Conductor data:

Connection technology	CAGE CLAMP® S	
Conductor size: solid	0.2 - 2.5 mm ²	
Conductor size: fine-stranded	0.2 - 2.5 mm ²	
Conductor size: fine-stranded	0.25 - 1.5 mm ² (with insulated ferrule)	
Conductor size: fine-stranded	0.25 - 2.5 mm ² (with uninsulated ferrule)	
AWG	24 - 12	12: THHN, THWN
Strip length	9 - 10 mm / 0.35 - 0.39 in	

Material data:

Material group	I
Insulation material/Insulation material	Glass-fiber-reinforced polyphthalamide (PPA-GF)
Flammability rating per UL 94	V0
Lower/Upper limit temperature	-60 °C / +100 °C
Clamping spring material	Chrome nickel spring steel (CrNi)
Contact material	Electrolytic copper (E _{Cu})
Contact plating	tin-plated

The **picoMAX® pluggable connection system** includes connectors without breaking capacity in accordance with DIN EN 61984. When used as intended, these connectors shall not be connected/disconnected when live or under load. The circuit design should ensure header pins, which can be touched, are not live when unmated.



For additional derating curves, see page 73.

Accessories for picoMAX®:

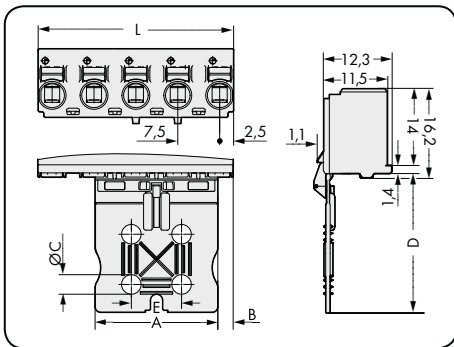
Page:

Operating tools	64
Direct printing	68
Gripping plates	65
Coding pins	66
Test pin	64



Standard Female Connectors picoMAX® 7.5

<p>With gripping plate and sliding connector release Pin spacing: 7.5 mm / 0.295 in</p> <p>0.2 - 2.5 mm² AWG 24 - 12 630 V/6 kV/2 16 A</p>	<p>Types of assembly with male headers/connectors</p>	
---	--	--



L = (pole no. - 1) x pin spacing + 5 mm

Pole No.	Item No.	Pack. Unit
Female connector with gripping plate and sliding connector release, light gray		
2	2092-3102/002-000	100
3	2092-3103/002-000	100
4	2092-3104/002-000	100
5	2092-3105/002-000	100

Gripping plate dimensions (in mm):

Pole No.	A	B	C	D	E
2	7	2.75	-	20	-
3	12	4	-	20	-
4 - 5	22	2.75	3.5	25	9

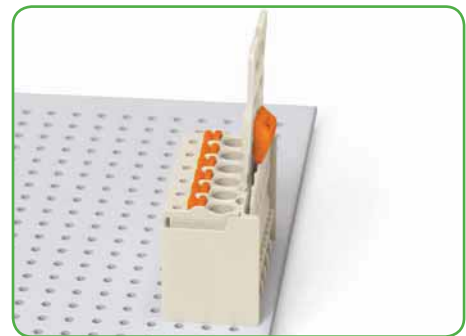
Header with straight solder pins

Header with angled solder pins

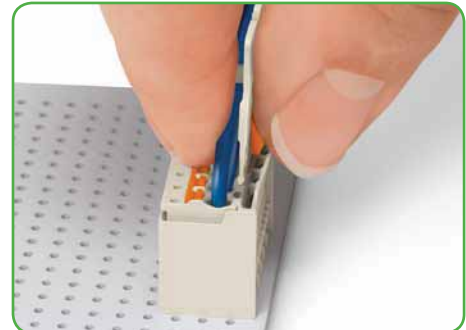
Standard connector

Panel feedthrough connector

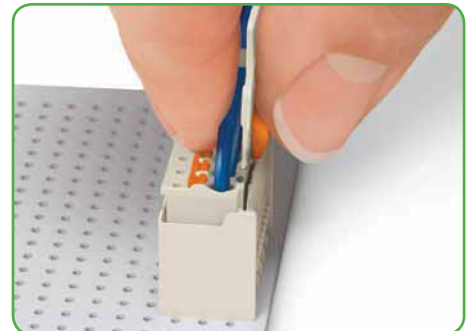
Outside **Inside**



Male header mated to a female connector with gripping plate and sliding connector release.



Push down sliding connector release (gripping plate) to open the locking latch.



Pull out female connector with gripping plate from male header.

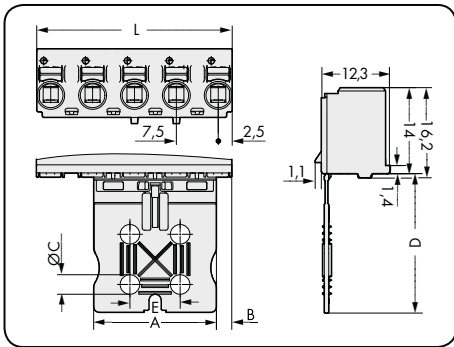
7.5

Standard Female Connectors picoMAX® 7.5

With gripping plate
Pin spacing: 7.5 mm / 0.295 in

0.2 - 2.5 mm² | AWG 24 - 12
630 V/6 kV/2 16 A

Types of assembly
with male headers/connectors



$L = (\text{pole no.} - 1) \times \text{pin spacing} + 5 \text{ mm}$

Pole No.	Item No.	Pack.	Unit
Female connector with gripping plate, light gray			
2	2092-3102	100	
3	2092-3103	100	
4	2092-3104	100	
5	2092-3105	100	
Product Accessories			
Unlocking tool (2092-1630)		64	

Gripping plate dimensions (in mm):

Pole No.	A	B	C	D	E
2	7	2.75	-	20	-
3	12	4	-	20	-
4 - 5	22	2.75	3.5	25	9

Header with straight solder pins

Header with angled solder pins

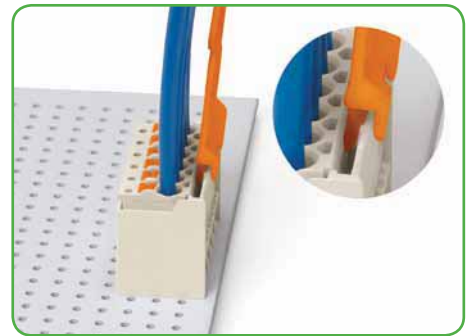
Standard connector

Panel feedthrough connector

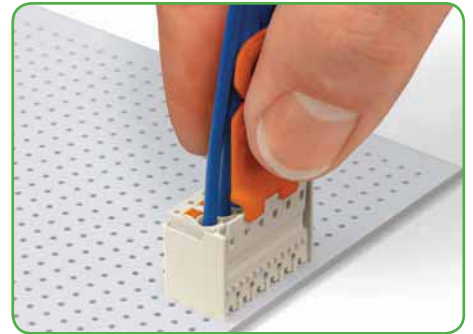
Outside

Inside

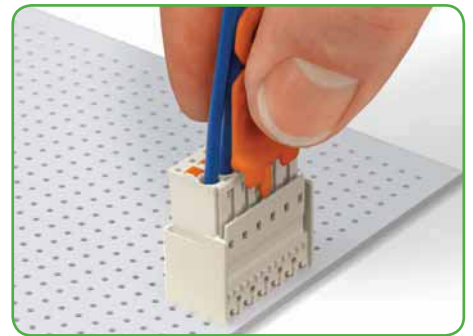
Disconnection: Open locking latches via unlocking tool.



Disconnecting female connector via unlocking tool. Plug unlocking tool into the male header's locking latch.



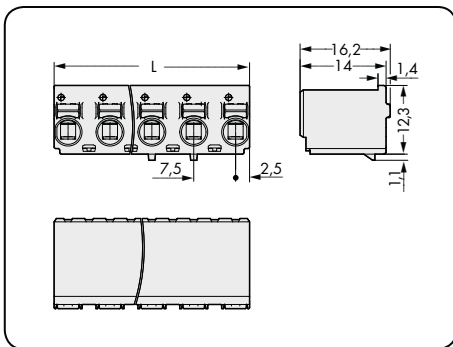
Insert unlocking tool until it hits backstop. Wedge opens locking latch.



Pull on both unlocking tool and conductors to remove female connector from male header.

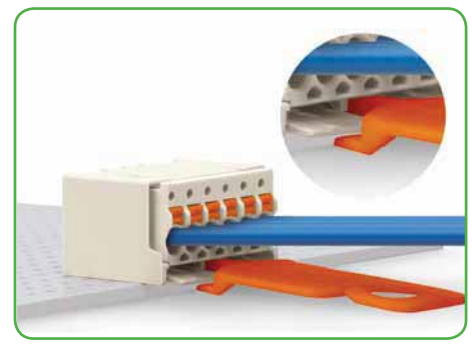
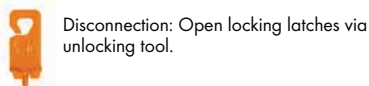
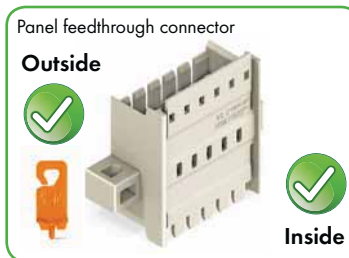
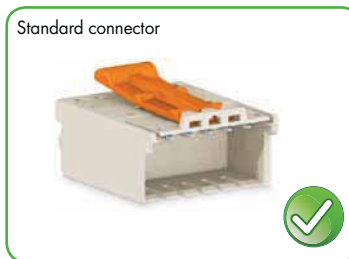
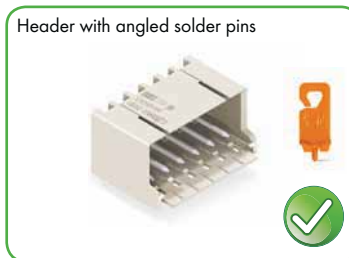
Standard Female Connectors picoMAX® 7.5

Pin spacing: 7.5 mm / 0.295 in		Types of assembly with male headers/connectors
0.2 - 2.5 mm ² 630 V/6 kV/2 16 A	AWG 24 - 12	

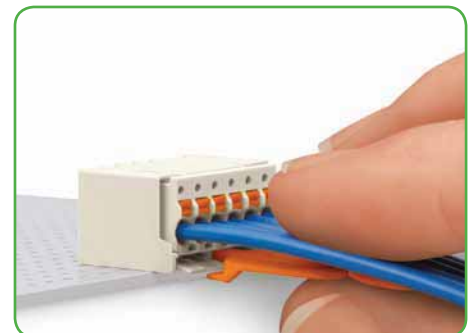


$L = (\text{pole no.} - 1) \times \text{pin spacing} + 5 \text{ mm}$

Pole No.	Item No.	Pack. Unit
Female connector, light gray		
2	2092-3122	100
3	2092-3123	100
4	2092-3124	100
5	2092-3125	100
Product Accessories		
Unlocking tool (2092-1630)		64



Disconnecting female connector via unlocking tool. Plug unlocking tool into the male header's locking latch.



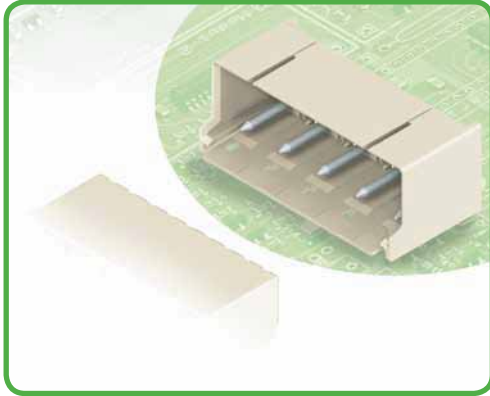
Insert unlocking tool until it hits backstop. Wedge opens locking latch.



Pull on both unlocking tool and conductors to remove female connector from male header.

7.5

Male Headers with Solder Pins picoMAX® 7.5



- Horizontal or vertical PCB mounting via straight or angled solder pins
- Assembly of female connectors without loss of poles, allowing different functions to be divided within one male header
- Coding pins inserted into the header interface prevent mismating, allowing subsequent coding in panel feedthrough applications
- Female connector is almost fully shrouded by the male header, providing vibration-resistance up to 20 g*

Technical data:

Pin Spacing	7.5 mm 0.295 in		
Ratings per	IEC/EN 60664-1		
Overtoltage category	III	III	II
Pollution degree	3	2	2
Rated voltage	400 V	630 V	1000 V
Rated surge voltage	6 kV	6 kV	6 kV
Nominal current	16 A	16 A	16 A
Approvals per	UL/CSA**		
Use group UL 1059	B	C	D
Rated voltage	-	-	-
Nominal current UL	-	-	-
Nominal current CSA	-	-	-

Solder pin data for THT (wave soldering):

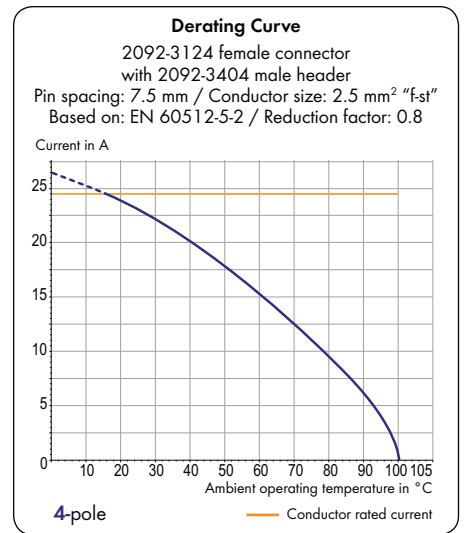
Solder pin: length/width	3.6 mm / 1.4 mm Ø
Solder pin: drilled hole diameter	1.6 ^{+0.1} mm

Solder pin data for THR* (reflow soldering):**

Solder pin: length/width	2.4 mm / 1.4 mm Ø
Solder pin: metal-plated hole	1.6 ^{+0.1} mm Ø

Material data:

Material group	I
Insulation material/Insulation material	Glass-fiber-reinforced polyphthalamide (PPA-GF)
Flammability rating per UL 94	V0
Lower/Upper limit temperature	-60 °C / +100 °C
Contact material	Electrolytic copper (E _{Cu})
Contact plating	tin-plated



For additional derating curves, see page 73.

Accessories for picoMAX®:

Page:

Coding pins	66
-------------	----

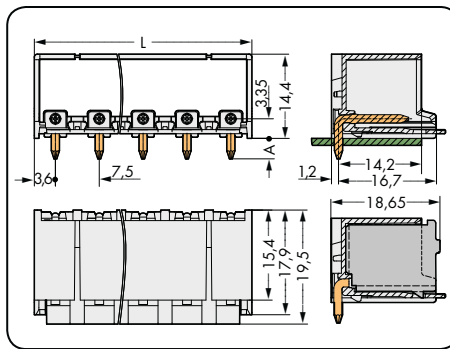
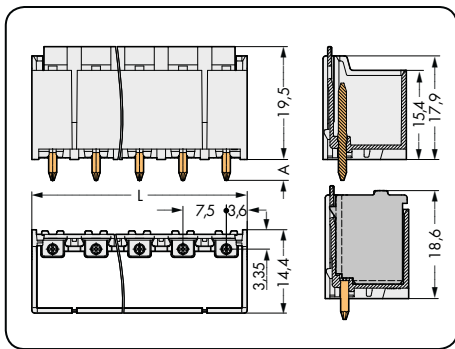
The **picoMAX® pluggable connection system** includes connectors without breaking capacity in accordance with DIN EN 61984. When used as intended, these connectors shall not be connected/disconnected when live or under load. The circuit design should ensure header pins, which can be touched, are not live when unmated.



Male Headers with Solder Pins

picoMAX® 7.5

With straight solder pins Pin spacing: 7.5 mm / 0.295 in 630 V/6 kV/2 16 A	With angled solder pins Pin spacing: 7.5 mm / 0.295 in 630 V/6 kV/2 16 A	Types of assembly with female connectors
--	--	---

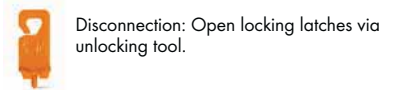
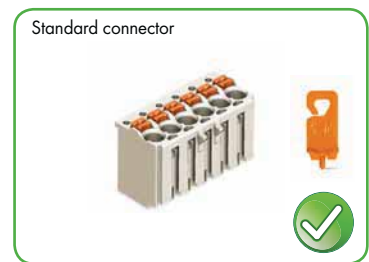


L = (pole no. - 1) x pin spacing + 7.2 mm
 A = 3.6 mm (THT solder pin)
 A = 2.4 mm (THR solder pin)

Pole No.	Item No.	Pack. Unit	Pole No.	Item No.	Pack. Unit
Male header with straight solder pins, light gray			Male header with angled solder pins, light gray		
2	2092-3402	100	2	2092-3422	100
3	2092-3403	100	3	2092-3423	100
4	2092-3404	100	4	2092-3424	100
5	2092-3405	100	5	2092-3425	100

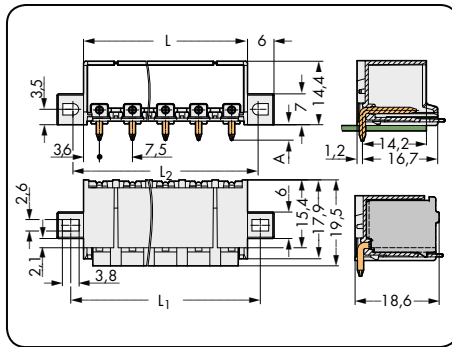
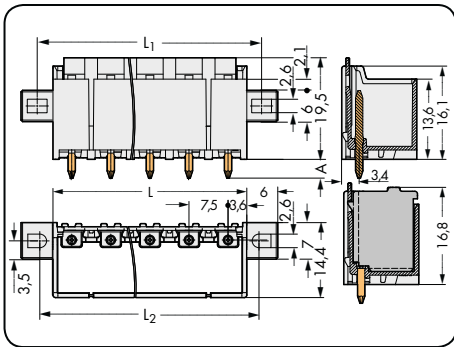
Item no. suffix for colored THR version:

○ light gray/200-000	Ordering example:
THR male headers with solder pins in tape-and-reel packaging available upon request		THR male header with straight solder pins, 7.5 mm pin spacing, 8-pole, light gray: 2092-3408/200-000



Male Headers with Solder Pins and Fixing Flanges picoMAX® 7.5

With straight solder pins and fixing flanges Pin spacing: 7.5 mm / 0.295 in	With angled solder pins and fixing flanges Pin spacing: 7.5 mm / 0.295 in	Types of assembly with female connectors
630 V/6 kV/2 16 A	630 V/6 kV/2 16 A	



$L = (\text{pole no.} - 1) \times \text{pin spacing} + 7.2 \text{ mm}$
 $L_1 = (\text{pole no.} \times \text{pin spacing}) + 5.5 \text{ mm}$
 $L_2 = (\text{pole no.} \times \text{pin spacing}) + 4.5 \text{ mm}$
 $A = 3.6 \text{ mm (THT solder pin)}$
 $A = 2.4 \text{ mm (THR solder pin)}$

Standard connector and gripping plate with sliding connector release

Standard connector and gripping plate

Standard connector

Pole No.	Item No.	Pack. Unit	Pole No.	Item No.	Pack. Unit
Male header with straight solder pins and fixing flanges, light gray			Male header with angled solder pins and fixing flanges, light gray		
2	2092-3402/005-000	100	2	2092-3422/005-000	100
3	2092-3403/005-000	100	3	2092-3423/005-000	100
4	2092-3404/005-000	100	4	2092-3424/005-000	100
5	2092-3405/005-000	100	5	2092-3425/005-000	100

Item no. suffix for colored THR version:

○ light gray -...../205-000

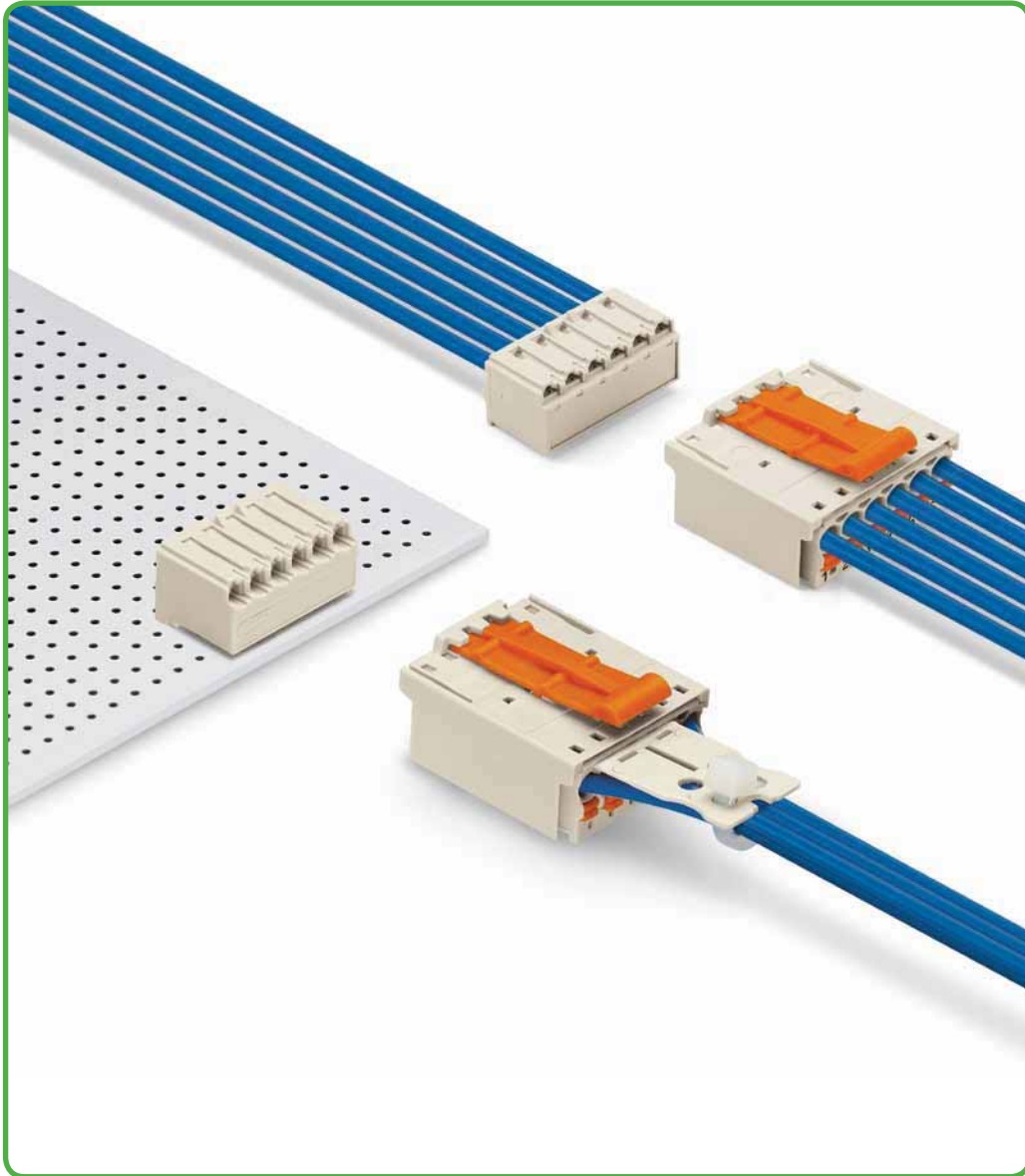
Ordering example:

THR male headers with solder pins in tape-and-reel packaging available upon request

THR male header with straight solder pins and fixing flanges, 7.5 mm pin spacing, 5-pole, light gray: **2092-3405/205-000**



Disconnection: Open locking latches via unlocking tool.

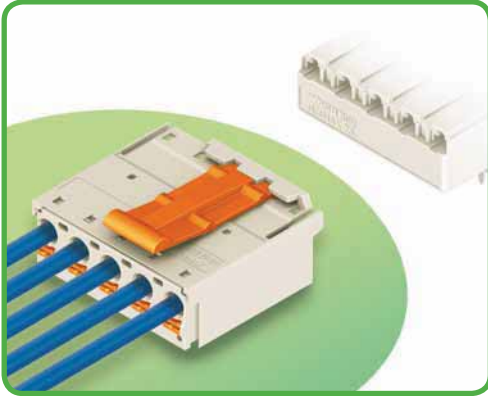


7.5

Standard Male Connectors

picoMAX® 7.5

50



- Universal connection for all conductor types
- Simple, push-in termination of solid and ferruled conductors
- Easy-to-use design does not require specialty tools
- Testing port parallel to conductor entry – tip contact
- For “wire-to-wire” and “board-to-wire” connections
- Integrated release lever
- Also available with gripping plates

Technical data:

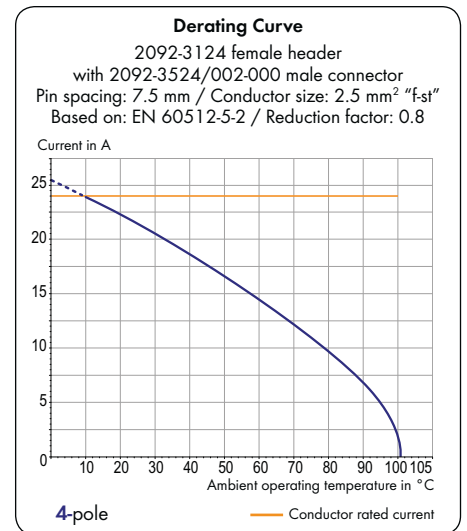
Pin Spacing	7.5 mm 0.295 in		
Ratings per	IEC/EN 60664-1		
Overtension category	III	III	II
Pollution degree	3	2	2
Rated voltage	400 V	630 V	1000 V
Rated surge voltage	6 kV	6 kV	6 kV
Nominal current	16 A	16 A	16 A
Approvals per	UL/CSA*		
Use group UL 1059	B	C	D
Rated voltage	-	-	-
Nominal current UL	-	-	-
Nominal current CSA	-	-	-

Conductor data:

Connection technology	CAGE CLAMP® S	
Conductor size: solid	0.2 - 2.5 mm ²	
Conductor size: fine-stranded	0.2 - 2.5 mm ²	
Conductor size: fine-stranded	0.25 - 1.5 mm ²	(with insulated ferrule)
Conductor size: fine-stranded	0.25 - 2.5 mm ²	(with uninsulated ferrule)
AWG	24 - 12	12: THHN, THWN
Strip length	9 - 10 mm / 0.35 - 0.39 in	

Material data:

Material group	I
Insulation material	Glass-fiber-reinforced polyphthalamide (PPA-GF)
Flammability rating per UL 94	V0
Lower/Upper limit temperature	-60 °C / +100 °C
Clamping spring material	Chrome nickel spring steel (CrNi)
Contact material	Electrolytic copper (E _{cu})
Contact plating	tin-plated



For additional derating curves, see page 73.

Accessories for picoMAX®:

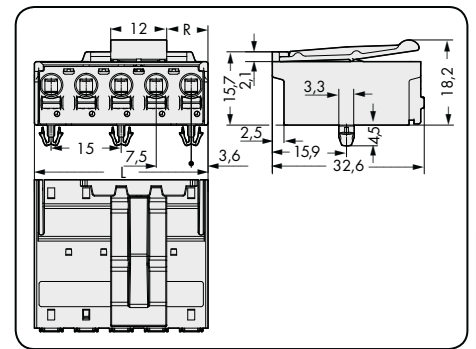
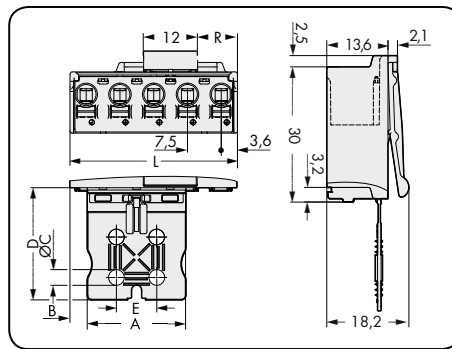
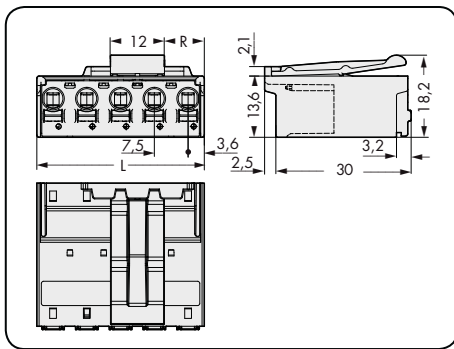
Page:

Gripping plates	65
Coding pins	66
Test pin	64

The **picoMAX® pluggable connection system** includes connectors without breaking capacity in accordance with DIN EN 61984. When used as intended, these connectors shall not be connected/disconnected when live or under load. The circuit design should ensure header pins, which can be touched, are not live when unmated.

Standard Male Connectors picoMAX® 7.5

Pin spacing: 7.5 mm / 0.295 in		With gripping plate Pin spacing: 7.5 mm / 0.295 in		With snap-in mounting feet Pin spacing: 7.5 mm / 0.295 in	
0.2 - 2.5 mm ²	AWG 24 - 12	0.2 - 2.5 mm ²	AWG 24 - 12	0.2 - 2.5 mm ²	AWG 24 - 12
630 V/6 kV/2 16 A		630 V/6 kV/2 16 A		630 V/6 kV/2 16 A	



L = (pole no. - 1) x pin spacing + 7.2 mm
 Even pole number R = (L - 12 mm) : 2
 Odd pole number R = (L - 19.5 mm) : 2

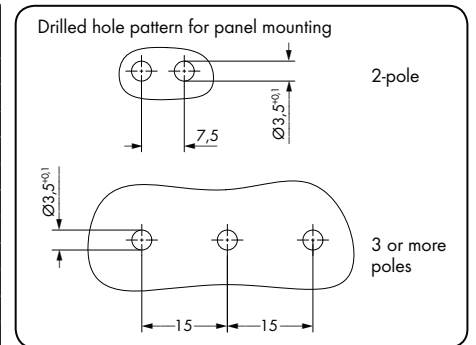
7.5

Pole No.	Item No.	Pack. Unit	Pole No.	Item No.	Pack. Unit	Pole No.	Item No.	Pack. Unit
Male connector, light gray			Male connector with gripping plate, light gray			Male connector with snap-in mounting feet, for 0.6 - 1.2 mm plate thickness, light gray		
2	2092-3522/002-000	100	2	2092-3502/002-000	100	2	2092-3522/020-000	100
3	2092-3523/002-000	100	3	2092-3503/002-000	100	3	2092-3523/020-000	100
4	2092-3524/002-000	50	4	2092-3504/002-000	50	4	2092-3524/020-000	50
5	2092-3525/002-000	50	5	2092-3505/002-000	50	5	2092-3525/020-000	50

Product Accessories	Page
Mounting adapter for DIN 35 rail, 3 or more poles (209-189)	66

Gripping plate dimensions (in mm):

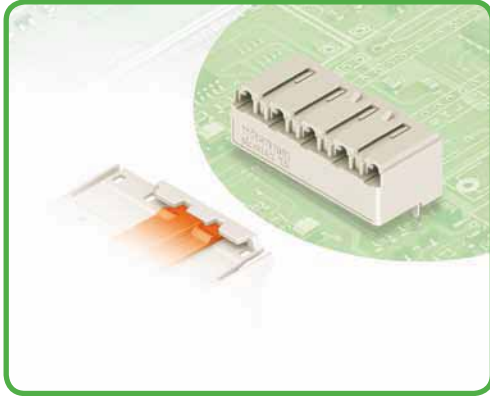
Pole No.	A	B	C	D	E
2	7	3.85	-	20	-
3	12	5.1	-	20	-
4 - 5	22	3.85	3.5	25	9



Standard male connectors can be combined with any female connectors/headers.

Female Headers with Solder Pins

picoMAX® 7.5



- Horizontal or vertical PCB mounting via straight or angled solder pins
- Touch-proof PCB outputs
- Easy-to-identify PCB inputs and outputs
- Coding pins available

Technical data:

Pin Spacing	7.5 mm 0.295 in		
	IEC/EN 60664-1		
Ratings per	III	III	II
Overvoltage category	3	2	2
Pollution degree	3	2	2
Rated voltage	400 V	630 V	1000 V
Rated surge voltage	6 kV	6 kV	6 kV
Nominal current	16 A	16 A	16 A
Approvals per	UL/CSA*		
Use group UL 1059	B	C	D
Rated voltage	-	-	-
Nominal current UL	-	-	-
Nominal current CSA	-	-	-

Solder pin data for THT (wave soldering):

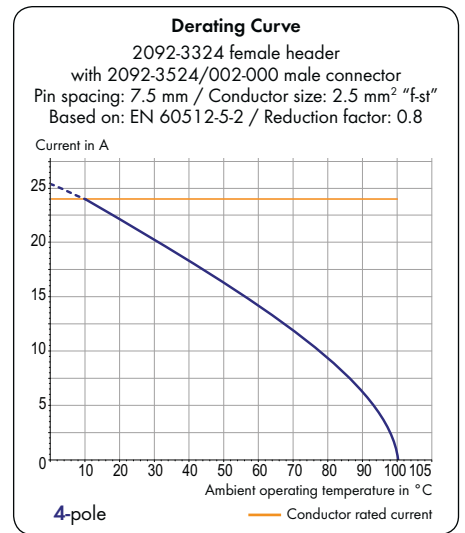
Solder pin: length/width	3.6 mm / 0.4 x 1.3 mm
Solder pin: drilled hole diameter	1.5 ^{+0.1} mm

Solder pin data for THR (reflow soldering):**

Solder pin: length/width	2.4 mm / 0.4 x 1.3 mm
Solder pin: metal-plated hole	1.5 ^{+0.1} mm Ø

Material data:

Material group	I
Insulation material	Glass-fiber-reinforced polyphthalamide (PPA-GF)
Flammability rating per UL 94	V0
Lower/Upper limit temperature	-60 °C / +100 °C
Contact material	Copper alloy
Contact plating	tin-plated



For additional derating curves, see page 73.

Accessories for picoMAX®:

Page:

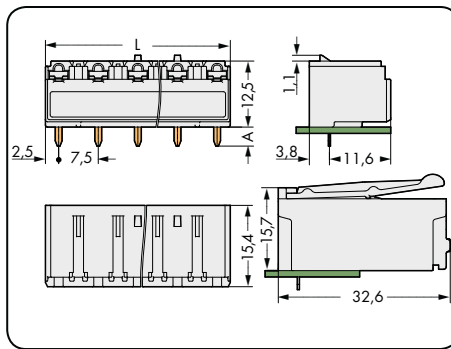
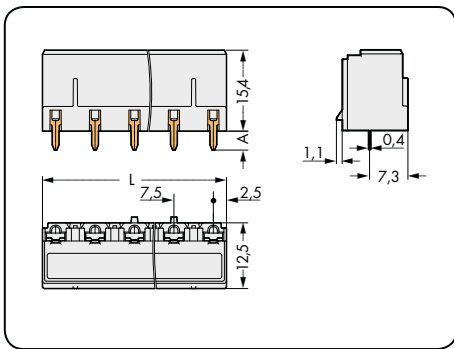
Coding pins	66

The **picoMAX® pluggable connection system** includes connectors without breaking capacity in accordance with DIN EN 61984. When used as intended, these connectors shall not be connected/disconnected when live or under load. The circuit design should ensure header pins, which can be touched, are not live when unmated.

Female Headers with Solder Pins

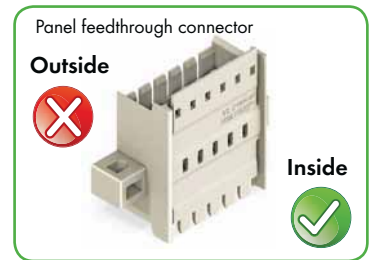
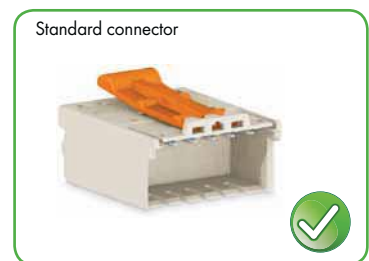
picoMAX® 7.5

With straight solder pins Pin spacing: 7.5 mm / 0.295 in	With angled solder pins Pin spacing: 7.5 mm / 0.295 in	Types of assembly with male connectors
630 V/6 kV/2 16 A	630 V/6 kV/2 16 A	



L = (pole no. - 1) x pin spacing + 5 mm
 A = 3.6 mm (THT solder pin)
 A = 2.4 mm (THR solder pin)

Pole No.	Item No.	Pack. Unit	Pole No.	Item No.	Pack. Unit
Female header with straight solder pins, light gray			Female header with angled solder pins, light gray		
2	2092-3302	100	2	2092-3322	100
3	2092-3303	100	3	2092-3323	100
4	2092-3304	100	4	2092-3324	100
5	2092-3305	100	5	2092-3325	100



7.5

Item no. suffix for colored THR version:

○ light gray/200-000	Ordering example:
THR female headers with solder pins in tape-and-reel packaging available upon request		THR female header with straight solder pins, 5 mm pin spacing, 5-pole, light gray: 2092-3305/200-000



A RADICALLY SIMPLIFIED CONNECTOR CAN'T POSSIBLY HAVE WHAT IT TAKES.

YES IT CAN.

picoMAX[®] eCOM – It doesn't get any easier!

picoMAX[®] eCOM is the easiest way to make PCBs pluggable.

If you don't need all picoMAX[®] functionalities, opt for an **even more efficient and compact version** without pin housing – **picoMAX[®] eCOM**.

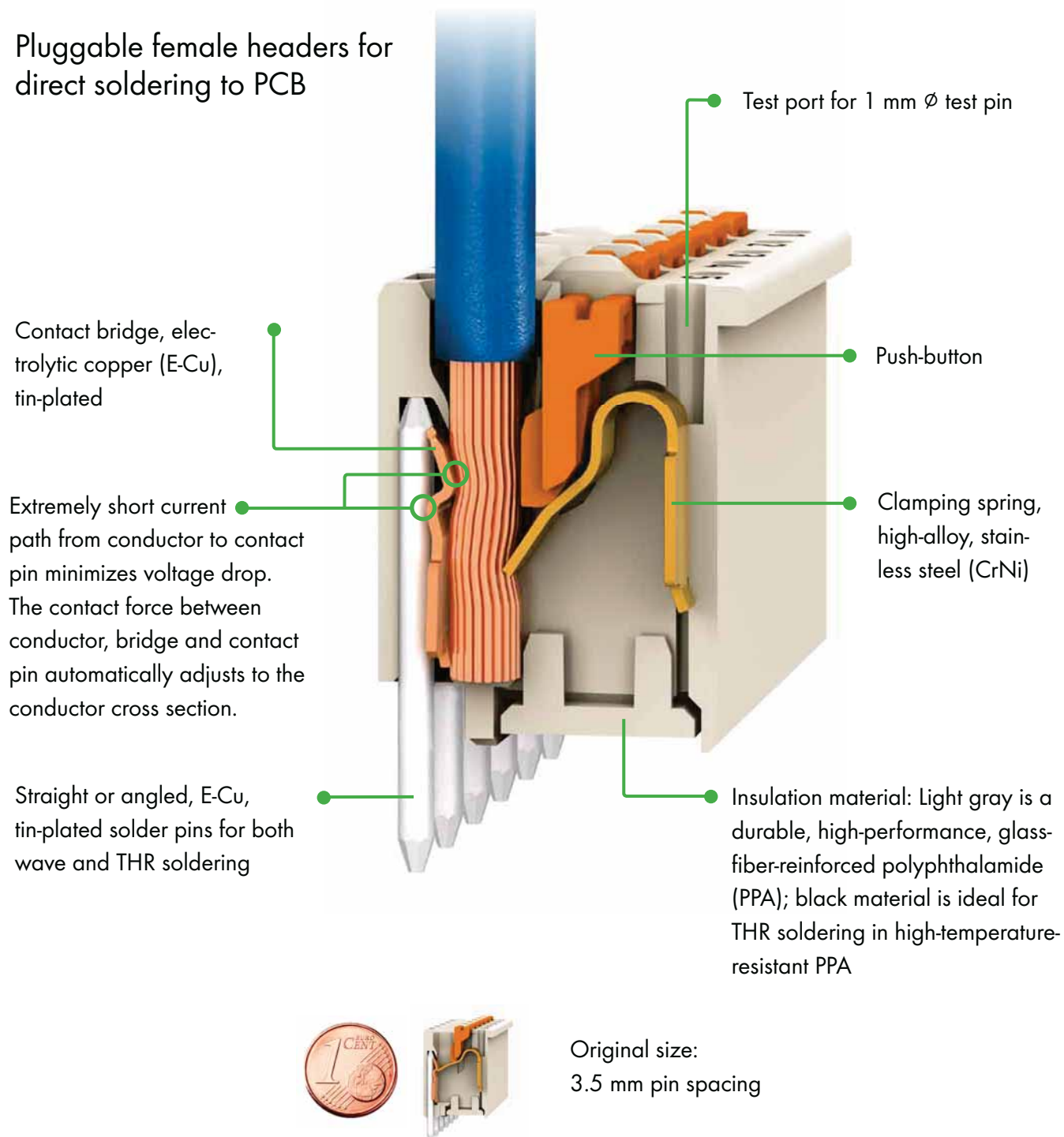
With 3.5 mm (0.138 in), 5.0 mm (0.197 in) and 7.5 mm (0.295 in) pin spacing, this system of **pluggable female headers for direct soldering to PCB** is the ideal solution for **cost-efficient PCB applications**. The connectors are delivered with solder pins so they can be mounted and soldered to the PCB just as you would for a conventional PCB component. picoMAX[®] eCOM is suitable for all conductor types via CAGE CLAMP[®] S universal connection. Furthermore, solid and ferruled conductors are connected by simply pushing them into unit.

During maintenance, **picoMAX[®] eCOM can be removed from the circuit board like a pluggable connector**. This allows PCB or components to be replaced without costly rewiring. Connectors of different lengths can be arranged side by side without loss of poles, **maximizing space savings** on the PCB! The pluggable PCB terminal blocks are also available as versions for THR soldering!

These features make picoMAX[®] eCOM **extremely efficient, pluggable PCB terminal blocks**. picoMAX[®] eCOM is available as straight and angled PCB terminal block for conductors 0.2–1.5 mm² (AWG 24–14) with 3.5 mm (0.138 in), as well as 0.2–2.5 mm² (24–12) with 5.0 mm (0.197 in) and 7.5 mm (0.295 in) pin spacing.

picoMAX[®]: Highly efficient system.

Pluggable female headers for direct soldering to PCB



COMPACT

VIBRATION-PROOF

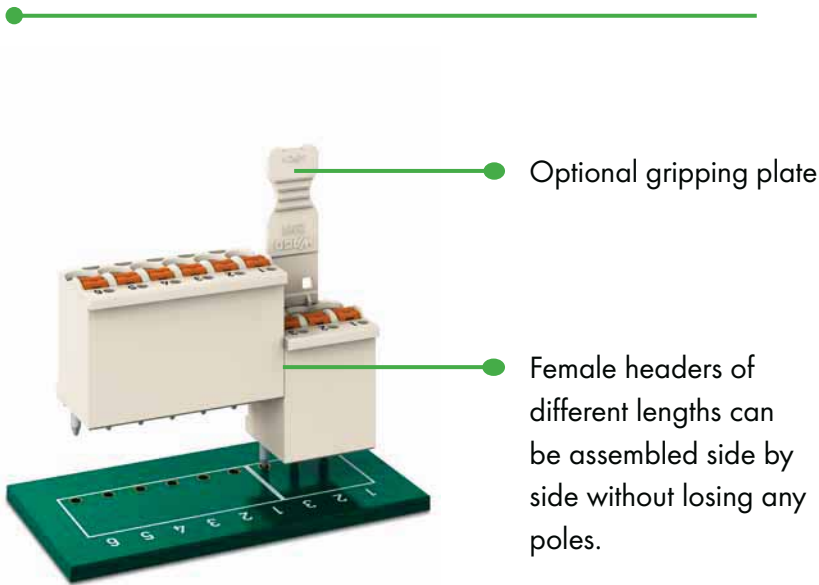
INTUITIVE

UNIVERSAL

EFFICIENT

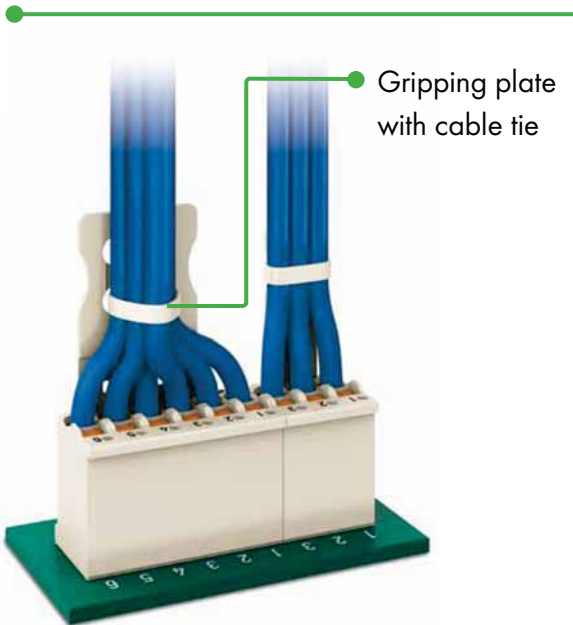
PCB Terminal Blocks that Double as Pluggable Connectors

1. Place and solder the pluggable female headers as marked on the PCB

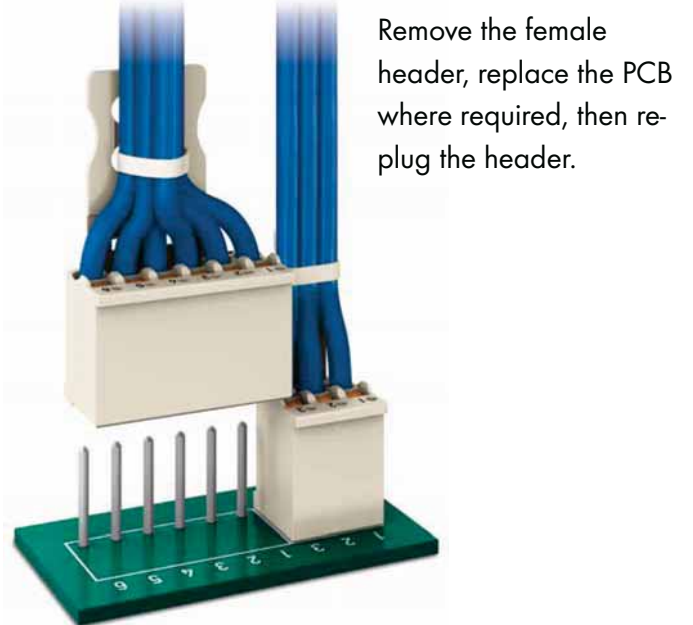


picoMAX[®] eCOM pluggable female headers are delivered with solder pins so they can be directly soldered to a PCB and then wired just as terminal blocks are. CAGE CLAMP[®] S allows solid, stranded and fine-stranded conductors to be terminated via push-buttons. Solid and feruled conductors are terminated by simply pushing them into unit. For ease of maintenance, the pluggable female headers can be removed without altering the wiring and then plugged onto the spare PCB.

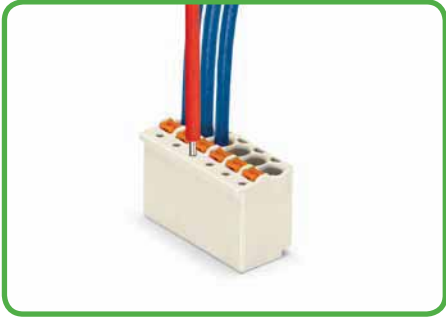
2. Wired female headers



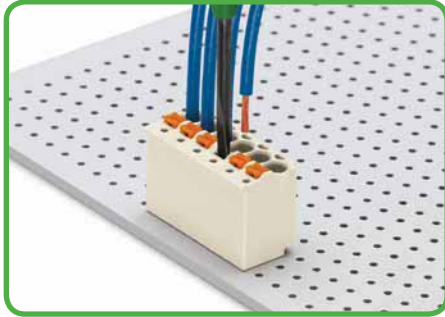
3. During maintenance



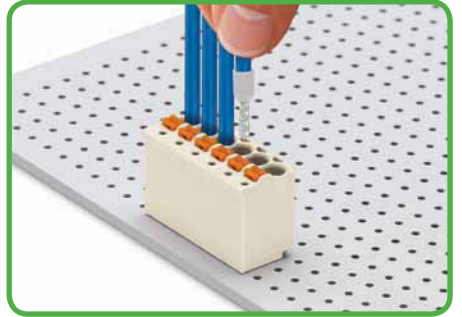
Handling *picoMAX*[®] eCOM Pin Spacing: 3.5 mm/0.138 in, 5.0 mm/0.197 in and 7.5 mm/0.295 in



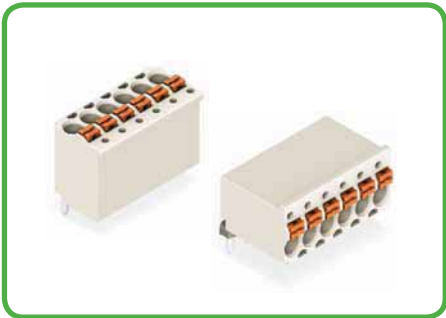
Testing with 1 mm Ø test pin, tip contact.



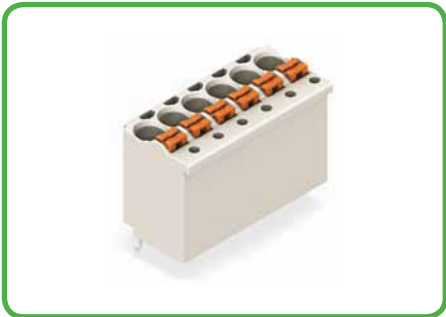
Terminating fine-stranded conductors and removing all conductor types via push-buttons.



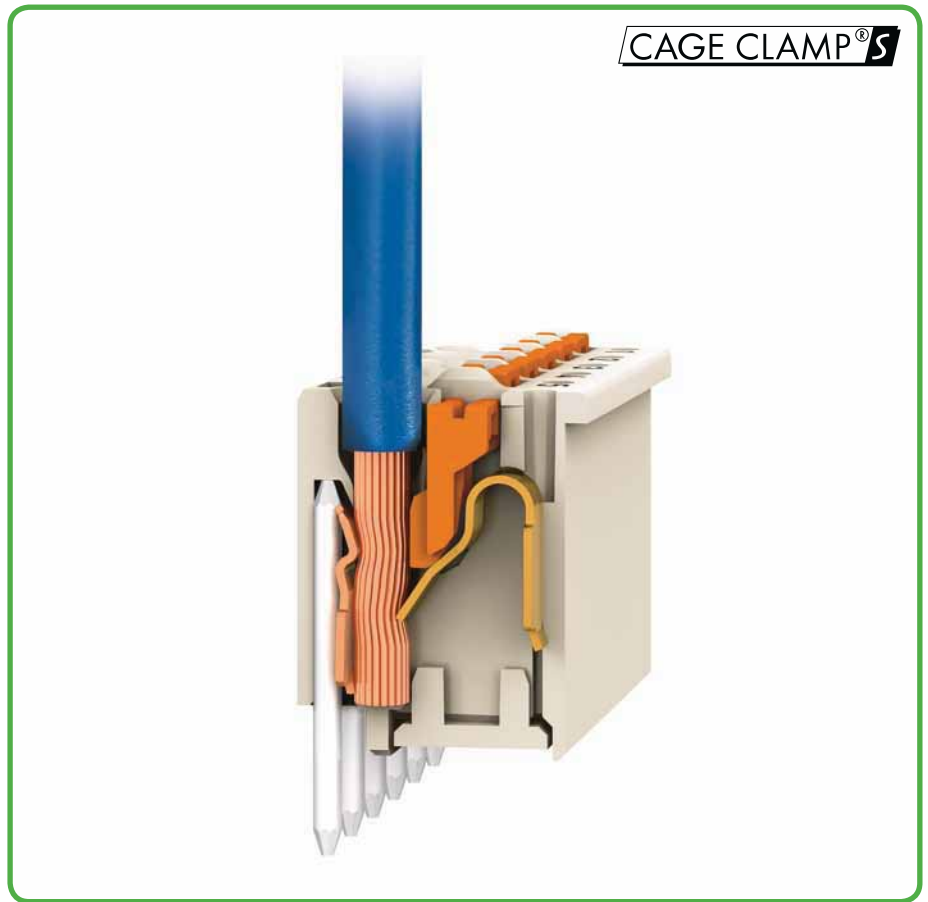
Terminating solid and ferruled conductors via push-in termination.



Horizontal or vertical PCB mounting.



THR version with shorter solder pins.



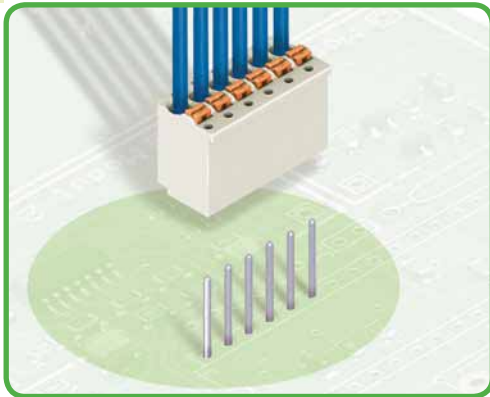
Pole marking via direct printing perpendicular to conductor entry.



Pole marking via direct printing parallel to conductor entry.

Notice:
picoMAX[®] eCOM shall only be used with factory-installed solder pins!

picoMAX® eCOM 3.5 – Standard Pluggable Female Headers for Direct Soldering to PCB



- Universal connection for all conductor types
- Simple, push-in termination of solid and ferruled conductors
- Easy-to-use design does not require specialty tools
- Ability to wire while mated or unmated
- Integrated test ports for testing parallel to conductor entry
- Factory-installed, straight or angled solder pins allow horizontal or vertical mounting to the PCB

Technical data:

Pin Spacing	3.5 mm 0.138 in		
	IEC/EN 60664-1		
Ratings per	III	III	II
Overtension category	3	2	2
Pollution degree	3	2	2
Rated voltage	160 V	160 V	320 V
Rated surge voltage	2.5 kV	2.5 kV	2.5 kV
Nominal current	10 A	10 A	10 A
Approvals per	UL/CSA*		
Use group UL 1059	B	C	D
Rated voltage	-	-	-
Nominal current UL	-	-	-
Nominal current CSA	-	-	-

Conductor data:

Connection technology	CAGE CLAMP® S
Conductor size: solid	0.2 – 1.5 mm ²
Conductor size: fine-stranded	0.2 – 1.5 mm ²
Conductor size: fine-stranded	0.25 – 0.75 mm ² (with insulated ferrule)
Conductor size: fine-stranded	0.25 – 1.5 mm ² (with uninsulated ferrule)
AWG	24 – 14 14: THHN, THWN
Strip length	8 – 9 mm / 0.31 – 0.35 in

Solder pin data for THT (wave soldering):

Solder pin: length/width	3.6 mm / 1.0 mm Ø
Solder pin: drilled hole diameter	1.2 ^{+0.1} mm

Solder pin data for THR (reflow soldering):**

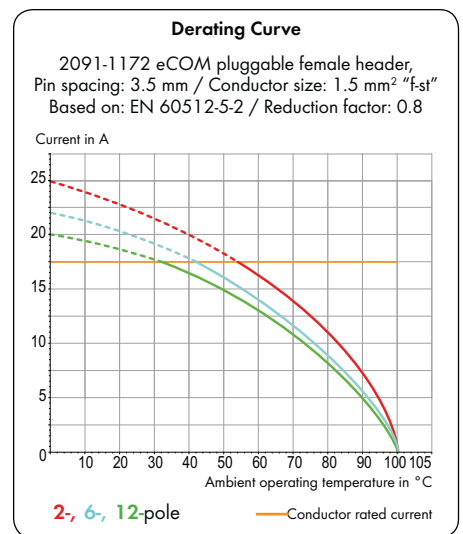
Solder pin: length/width	2.4 mm / 1.0 mm Ø
Solder pin: metal-plated hole	1.2 ^{+0.1} mm Ø

Material data:

Material group	I
Insulation material	Glass-fiber-reinforced polyphthalamide (PPA-GF)
Flammability rating per UL 94	V0
Lower/Upper limit temperature	-60 °C / +100 °C
Clamping spring material	Chrome nickel spring steel (CrNi)
Contact material	Electrolytic copper (E _C)
Contact plating	tin-plated

The **picoMAX® pluggable connection system** includes connectors without breaking capacity in accordance with DIN EN 61984.

When used as intended, these connectors shall not be connected/disconnected when live or under load. The circuit design should ensure header pins, which can be touched, are not live when unmated.



For additional derating curves, see page 74.

Accessories for picoMAX®:

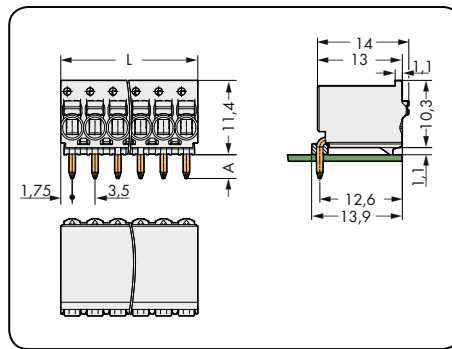
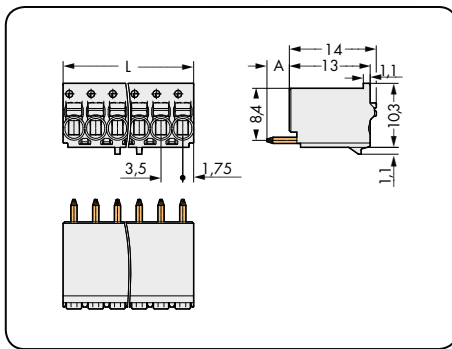
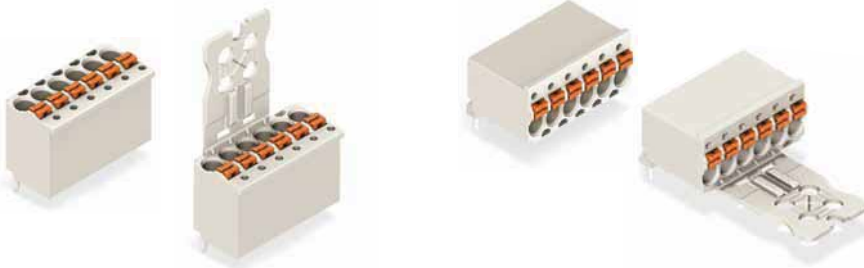
Page:

Operating tools	64
Test pin	64
Gripping plates	65
Direct printing	68



picoMAX® eCOM 3.5 – Standard Pluggable Female Headers for Direct Soldering to PCB

With straight solder pins Pin spacing: 3.5 mm / 0.138 in		With angled solder pins Pin spacing: 3.5 mm / 0.138 in	
0.2 – 1.5 mm ²	AWG 24 – 14	0.2 – 1.5 mm ²	AWG 24 – 14
160 V/2.5 kV/2 10 A		160 V/2.5 kV/2 10 A	



L = pole no. x pin spacing
 A = 3.6 mm (THT solder pin)
 A = 2.4 mm (THR solder pin)

Pole No.	Item No.	Item No.	Pack. Unit	Pole No.	Item No.	Item No.	Pack. Unit
eCOM pluggable female header with straight solder pins, light gray				eCOM pluggable female header with angled solder pins, light gray			
Gripping plate:				Gripping plate:			
	without	with			without	with	
2	2091-1172	2091-1152		2	2091-1372	2091-1352	
3	2091-1173	2091-1153		3	2091-1373	2091-1353	
4	2091-1174	2091-1154		4	2091-1374	2091-1354	
5	2091-1175	2091-1155		5	2091-1375	2091-1355	
6	2091-1176	2091-1156		6	2091-1376	2091-1356	
8	2091-1178	2091-1158		8	2091-1378	2091-1358	
10	2091-1180	2091-1160		10	2091-1380	2091-1360	
12	2091-1182	2091-1162		12	2091-1382	2091-1362	

Item no. suffix for colored THR version:

○ light gray /200-000

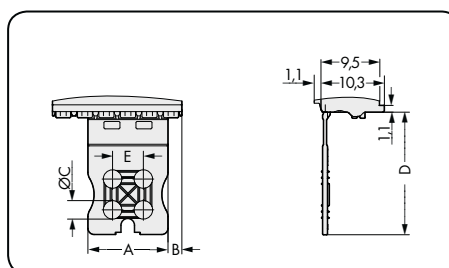
THR version only for female headers without gripping plate

Ordering example:

eCOM THR pluggable female header with straight solder pins,
 3.5 mm pin spacing, 8-pole,
 black: **2091-1178/200-000**

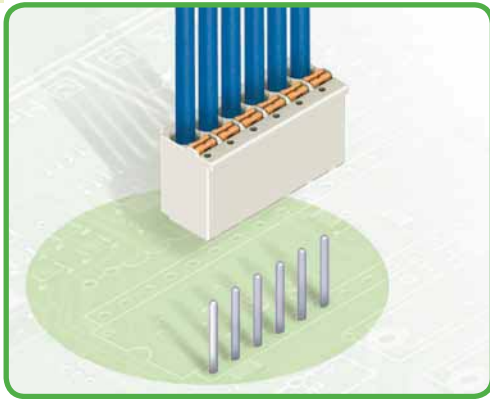
Gripping plate dimensions (in mm):

Pole No.	A	B	C	D	E
2	3	2	-	17	-
3	6	2.25	-	17	-
4	6	2.25	-	17	-
5	13	2.25	3	20	5
6	13	2.25	3	20	5
8	13	5.75	3	20	5
10	27	2.25	4.2	25	8
12	27	5.75	4.2	25	8



For other lengths, please contact factory.

picoMAX® eCOM 5.0 – Standard Pluggable Female Headers for Direct Soldering to PCB



- Universal connection for all conductor types
- Simple, push-in termination of solid and ferruled conductors
- Easy-to-use design does not require specialty tools
- Ability to wire while mated or unmated
- Integrated test ports for testing parallel to conductor entry
- Factory-installed, straight or angled solder pins allow horizontal or vertical mounting to the PCB

Technical data:

Pin Spacing	5 mm 0.197 in		
Ratings per	IEC/EN 60664-1		
Overtension category	III	III	II
Pollution degree	3	2	2
Rated voltage	250 V	320 V	630 V
Rated surge voltage	4 kV	4 kV	4 kV
Nominal current	16 A	16 A	16 A
Approvals per	UL/CSA*		
Use group UL 1059	B	C	D
Rated voltage	-	-	-
Nominal current UL	-	-	-
Nominal current CSA	-	-	-

Conductor data:

Connection technology	CAGE CLAMP® S	
Conductor size: solid	0.2 – 2.5 mm ²	
Conductor size: fine-stranded	0.2 – 2.5 mm ²	
Conductor size: fine-stranded	0.25 – 1.5 mm ² (with insulated ferrule)	
Conductor size: fine-stranded	0.25 – 2.5 mm ² (with uninsulated ferrule)	
AWG	24 – 12	12: THHN, THWN
Strip length	9 – 10 mm / 0.35 – 0.39 in	

Solder pin data for THT (wave soldering):

Solder pin: length/width	3.6 mm / 1.4 mm Ø
Solder pin: drilled hole diameter	1.6 ^{+0.1} mm

Solder pin data for THR (reflow soldering):**

Solder pin: length/width	2.4 mm / 1.4 mm Ø
Solder pin: metal-plated hole	1.6 ^{+0.1} mm Ø

Material data:

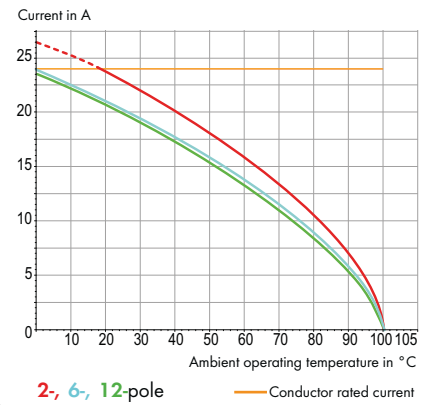
Material group	I
Insulation material	Glass-fiber-reinforced polyphthalamide (PPA-GF)
Flammability rating per UL 94	V0
Lower/Upper limit temperature	-60 °C / +100 °C
Clamping spring material	Chrome nickel spring steel (CrNi)
Contact material	Electrolytic copper (E _{cu})
Contact plating	tin-plated

The **picoMAX® pluggable connection system** includes connectors without breaking capacity in accordance with DIN EN 61984.

When used as intended, these connectors shall not be connected/disconnected when live or under load. The circuit design should ensure header pins, which can be touched, are not live when unmated.

Derating Curve

2092-1172 eCOM pluggable female header,
Pin spacing: 5 mm / Conductor size: 2.5 mm² "f-st"
Based on: EN 60512-5-2 / Reduction factor: 0.8



For additional derating curves, see page 74.

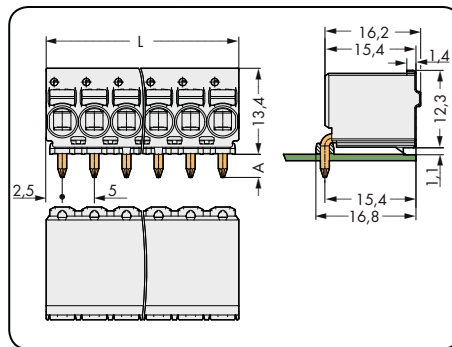
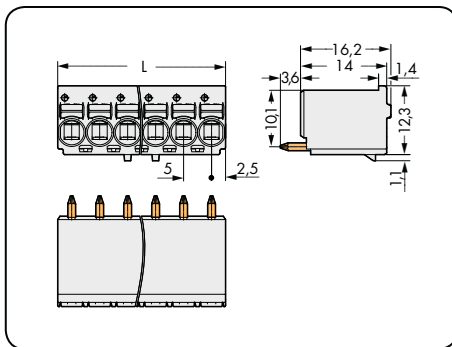
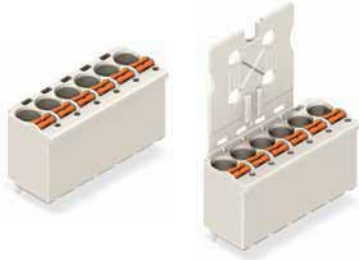
Accessories for picoMAX®:

Page:

Operating tools	64
Test pin	64
Gripping plates	65
Direct printing	68

picoMAX® eCOM 5.0 – Standard Pluggable Female Headers for Direct Soldering to PCB

With straight solder pins Pin spacing: 5 mm / 0.197 in		With angled solder pins Pin spacing: 5 mm / 0.197 in	
0.2 – 2.5 mm ²	AWG 24 – 12	0.2 – 2.5 mm ²	AWG 24 – 12
320 V/4 kV/2 16 A		320 V/4 kV/2 16 A	



L = pole no. x pin spacing
 A = 3.6 mm (THT solder pin)
 A = 2.4 mm (THR solder pin)

Pole No.	Item No.	Item No.	Pack. Unit	Pole No.	Item No.	Item No.	Pack. Unit
eCOM pluggable female header with straight solder pins, light gray				eCOM pluggable female header with angled solder pins, light gray			
Gripping plate:				Gripping plate:			
	without	with			without	with	
2	2092-1172	2092-1152		2	2092-1372	2092-1352	
3	2092-1173	2092-1153		3	2092-1373	2092-1353	
4	2092-1174	2092-1154		4	2092-1374	2092-1354	
5	2092-1175	2092-1155		5	2092-1375	2092-1355	
6	2092-1176	2092-1156		6	2092-1376	2092-1356	
8	2092-1178	2092-1158		8	2092-1378	2092-1358	
10	2092-1180	2092-1160		10	2092-1380	2092-1360	
12	2092-1182	2092-1162		12	2092-1382	2092-1362	

Item no. suffix for colored THR version:

○ light gray /200-000

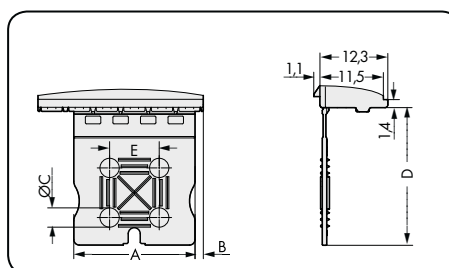
THR version only for female headers without gripping plate

Ordering example:

eCOM THR pluggable female header with straight solder pins,
 5 mm pin spacing, 8-pole,
 black: **2092-1178/200-000**

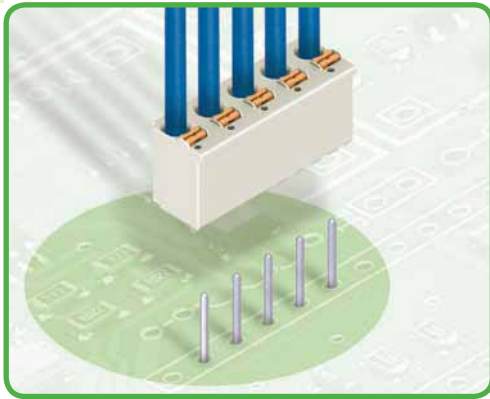
Gripping plate dimensions (in mm):

Pole No.	A	B	C	D	E
2	7	1.5	-	20	-
3	12	1.5	-	20	-
4	12	1.5	-	20	-
5	22	1.5	3.5	25	9
6	22	1.5	3.5	25	9
8	22	6.5	3.5	25	9
10	42	1.5	5	35	19
12	42	6.5	5	35	19



For other lengths, please contact factory.

picoMAX® eCOM 7.5 – Standard Pluggable Female Headers for Direct Soldering to PCB



- Universal connection for all conductor types
- Simple, push-in termination of solid and ferruled conductors
- Easy-to-use design does not require specialty tools
- Ability to wire while mated or unmated
- Integrated test ports for testing parallel to conductor entry
- Factory-installed, straight or angled solder pins allow horizontal or vertical mounting to the PCB

Technical data:

Pin Spacing	7.5 mm 0.295 in		
	IEC/EN 60664-1		
Ratings per	III	III	II
Overtension category	3	2	2
Pollution degree	3	2	2
Rated voltage	400 V	630 V	1000 V
Rated surge voltage	6 kV	6 kV	6 kV
Nominal current	16 A	16 A	16 A
Approvals per	UL/CSA*		
Use group UL 1059	B	C	D
Rated voltage	-	-	-
Nominal current UL	-	-	-
Nominal current CSA	-	-	-

Conductor data:

Connection technology	CAGE CLAMP® S	
Conductor size: solid	0.2 – 2.5 mm ²	
Conductor size: fine-stranded	0.2 – 2.5 mm ²	
Conductor size: fine-stranded	0.25 – 1.5 mm ² (with insulated ferrule)	
Conductor size: fine-stranded	0.25 – 2.5 mm ² (with uninsulated ferrule)	
AWG	24 – 12	12: THHN, THWN
Strip length	9 – 10 mm / 0.35 – 0.39 in	

Solder pin data for THT (wave soldering):

Solder pin: length/width	3.6 mm / 1.4 mm Ø
Solder pin: drilled hole diameter	1.6 ^{+0.1} mm

Solder pin data for THR (reflow soldering):**

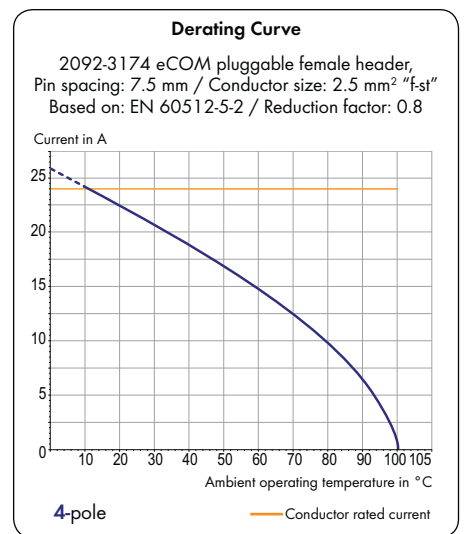
Solder pin: length/width	2.4 mm / 1.4 mm Ø
Solder pin: metal-plated hole	1.6 ^{+0.1} mm Ø

Material data:

Material group	I
Insulation material	Glass-fiber-reinforced polyphthalamide (PPA-GF)
Flammability rating per UL 94	V0
Lower/Upper limit temperature	-60 °C / +100 °C
Clamping spring material	Chrome nickel spring steel (CrNi)
Contact material	Electrolytic copper (E _{cu})
Contact plating	tin-plated

The **picoMAX® pluggable connection system** includes connectors without breaking capacity in accordance with DIN EN 61984.

When used as intended, these connectors shall not be connected/disconnected when live or under load. The circuit design should ensure header pins, which can be touched, are not live when unmated.



For additional derating curves, see page 74.

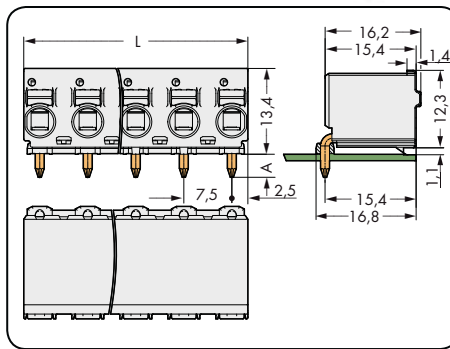
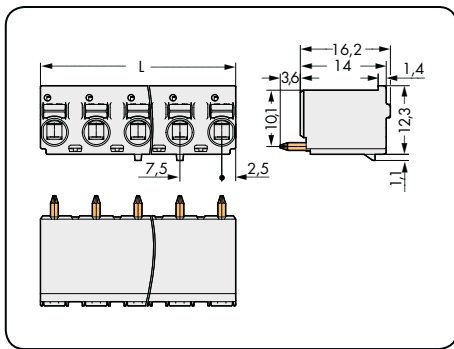
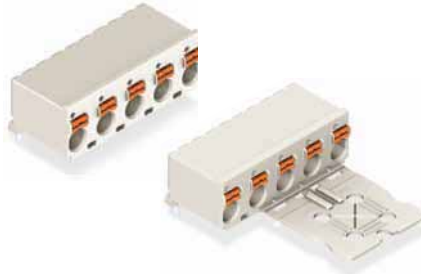
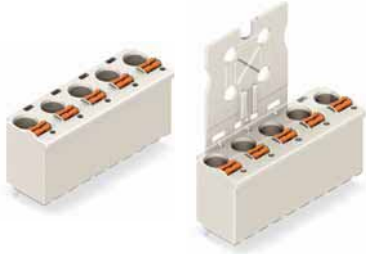
Accessories for picoMAX®:

Page:

Operating tools	64
Test pin	64
Gripping plates	65
Direct printing	68

picoMAX® eCOM 7.5 – Standard Pluggable Female Headers for Direct Soldering to PCB

With straight solder pins Pin spacing: 7.5 mm / 0.295 in		With angled solder pins Pin spacing: 7.5 mm / 0.295 in	
0.2 – 2.5 mm ² 630 V/6 kV/2 16 A	AWG 24 – 12	0.2 – 2.5 mm ² 630 V/6 kV/2 16 A	AWG 24 – 12



L = (pole no. - 1) x pin spacing + 5 mm
 A = 3.6 mm (THT solder pin)
 A = 2.4 mm (THR solder pin)

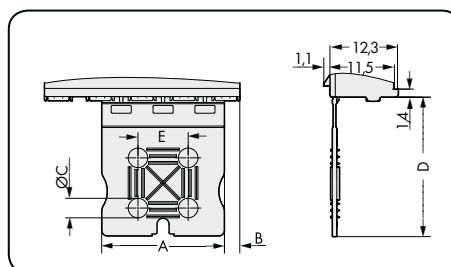
Pole No.	Item No.	Item No.	Pack. Unit	Pole No.	Item No.	Item No.	Pack. Unit
eCOM pluggable female header with straight solder pins, light gray				eCOM pluggable female header with angled solder pins, light gray			
Gripping plate:				Gripping plate:			
without				without			
with				with			
2	2092-3172	2092-3152	2	2092-3372	2092-3352	2	2092-3372
3	2092-3173	2092-3153	3	2092-3373	2092-3353	3	2092-3373
4	2092-3174	2092-3154	4	2092-3374	2092-3354	4	2092-3374
5	2092-3175	2092-3155	5	2092-3375	2092-3355	5	2092-3375

Item no. suffix for colored THR version:

<input type="radio"/> light gray/200-000	Ordering example:
THR version only for female headers <u>without</u> gripping plate		eCOM THR pluggable female header with straight solder pins,
		7.5 mm pin spacing, 5-pole,
		black: 2092-3175/200-000

Gripping plate dimensions (in mm):

Pole No.	A	B	C	D	E
2	7	2.75	-	20	-
3	12	4	-	20	-
4 - 5	22	2.75	3.5	25	9

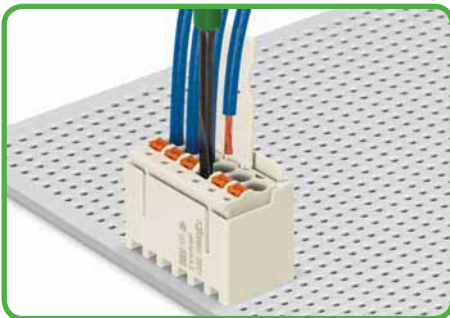


For other lengths, please contact factory.

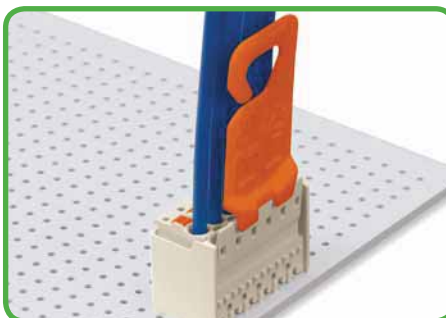
Operating tool with partially insulated shaft Type 1	Unlocking tool for female connectors without gripping plate or sliding connector release	Test pin
---	---	-----------------



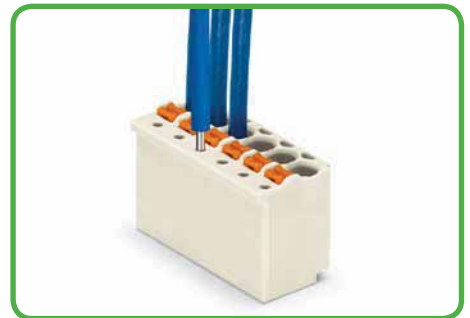
Item No.	Pack. Unit	Item No.	Pack. Unit	Item No.	Pack. Unit
Operating tool , with partially insulated shaft, type 1, (2.5 x 0.4) mm blade		Unlocking tool , orange		Test pin , 1 mm Ø, with solder connection for test cable	
210-719	1	2092-1630	100 (4 x 25)	735-500	1



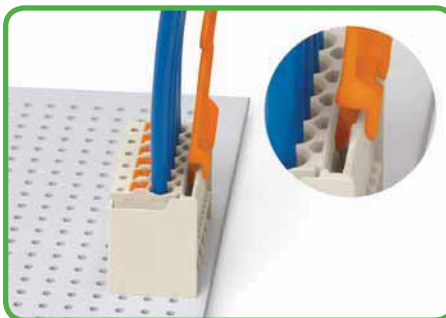
Inserting/removing conductor.



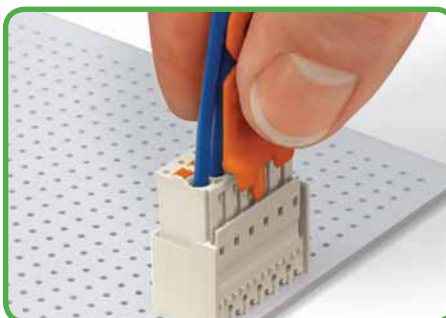
Disconnecting female connector via unlocking tool. Plug unlocking tool into the male header's locking latch.



Testing with 1 mm Ø test pin, tip contact.



Insert unlocking tool until it hits backstop. Wedge opens locking latch.

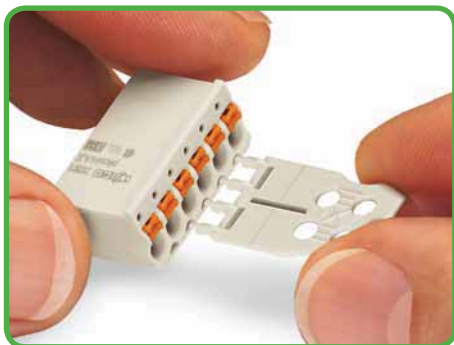


Pull on both unlocking tool and conductors to remove female connector from male header.

Gripping plates, pluggable	Gripping plates with sliding connector release, pluggable	
--------------------------------------	---	--



Pole No.	Item No.	Pack. Unit	Pole No.	Item No.	Pack. Unit
Gripping plate, light gray			Gripping plate with sliding connector release, light gray		
Pin spacing: 3.5 mm			Pin spacing: 3.5 mm		
2	2091-1600	100 (4 x 25)	2	2091-1600/002-000	100 (4 x 25)
3- 4	2091-1601	100 (4 x 25)	3- 4	2091-1601/002-000	100 (4 x 25)
5- 8	2091-1602	100 (4 x 25)	5- 8	2091-1602/002-000	100 (4 x 25)
9-12	2091-1603	100 (4 x 25)	9-12	2091-1603/002-000	100 (4 x 25)
Pin spacing: 5 mm			Pin spacing: 5 mm		
2	2092-1600	100 (4 x 25)	2	2092-1600/002-000	100 (4 x 25)
3- 4	2092-1601	100 (4 x 25)	3- 4	2092-1601/002-000	100 (4 x 25)
5- 8	2092-1602	100 (4 x 25)	5- 8	2092-1602/002-000	100 (4 x 25)
9-12	2092-1603	100 (4 x 25)	9-12	2092-1603/002-000	100 (4 x 25)
Pin spacing: 7.5 mm			Pin spacing: 7.5 mm		
2	2092-3600	100 (4 x 25)	2	2092-3600/002-000	100 (4 x 25)
3- 4	2092-3601	100 (4 x 25)	3- 4	2092-3601/002-000	100 (4 x 25)
5	2092-3602	100 (4 x 25)	5	2092-3602/002-000	100 (4 x 25)
6	2092-3603	100 (4 x 25)	6	2092-3603/002-000	100 (4 x 25)



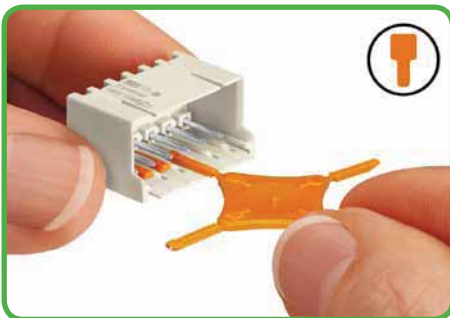
Gripping plates are suitable for factory and in-the-field assembly.

Accessories for picoMAX®

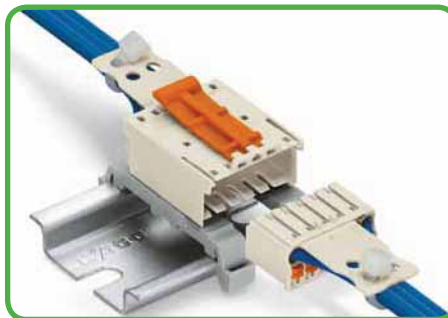
<p>Coding key carrier</p> <p>with 2 coding keys for each male header and female connector</p>	<p>Mounting adapter for DIN 35 rail</p> <p>for male connectors with snap-in mounting feet</p>	
--	--	--



Item No.	Pack. Unit	Item No.	Pack. Unit
Coding key carrier , with 2 coding keys for each male header and female connector, orange		Mounting adapter , for male connectors with snap-in mounting feet, gray	
Pin spacing: 3.5 mm			
2091-1610	100 (4 x 25)	209-189	25
Pin spacing: 5 mm and 7.5 mm			
2092-1610	100 (4 x 25)		



Coding a male header (via coding key carrier and two keys for male header, see symbol).



Male connector with snap-in mounting feet and 209-189 mounting adapter on DIN 35 rail.



Coding a female connector (via coding key carrier and two keys for female connector, see symbol).

Ferrules

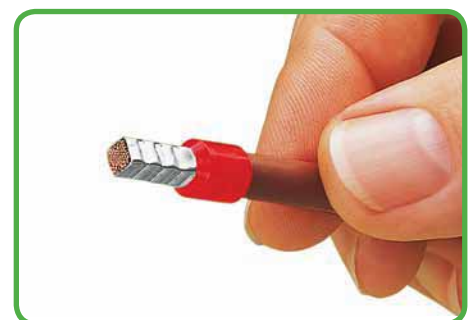
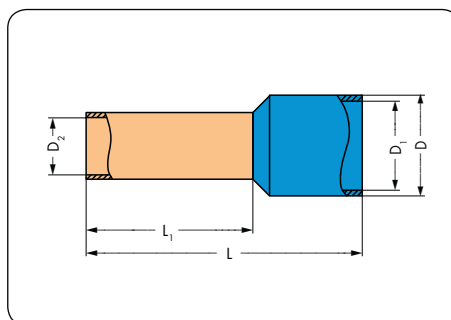
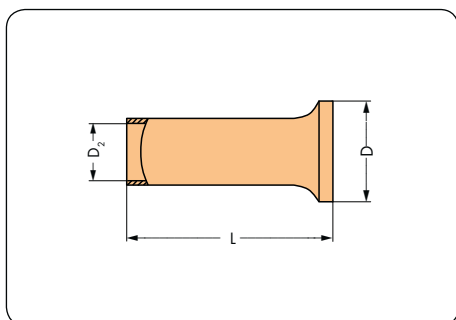
Uninsulated ferrules Electrolytic copper, electro tin-plated, acc. to DIN 46288, part 1/08.92	Insulated ferrules Electrolytic copper, electro tin-plated, acc. to DIN 46288, part 4/09.09	"Variocrimp 4" crimping tool 0.25 – 4 mm ² / AWG 22 – 12
--	--	---



Item No.	Pack. Unit	Item No.	Pack. Unit	Item No.	Pack. Unit
Uninsulated ferrule for 0.25 mm²/AWG 24 L: 5 mm , D: 1.7 mm, D ₂ : 0.75 mm, 5 mm strip length 216-151	1000	Insulated ferrule for 0.25 mm²/AWG 24 , 7.5 mm strip length, L: 10 mm, L ₁ : 6 mm , D: 2.3 mm, D ₁ : 1.8 mm, D ₂ : 0.85 mm yellow 216-321	1000	"Variocrimp 4" crimping tool , for insulated and uninsulated ferrules, crimping range of 0.25 – 4 mm ² 206-204	1
L: 7 mm , D: 1.7 mm, D ₂ : 0.75 mm, 7 mm strip length 216-131	1000	yellow L: 12 mm, L ₁ : 8 mm , 9.5 mm strip length 216-301	1000		
Uninsulated ferrule for 0.34 mm²/AWG 24 L: 5 mm , D: 1.8 mm, D ₂ : 0.75 mm, 5 mm strip length 216-152	1000	Insulated ferrule for 0.34 mm²/AWG 24 , 7.5 mm strip length, L: 10 mm, L ₁ : 6 mm , D: 2.5 mm, D ₁ : 2 mm, D ₂ : 0.85 mm green 216-322	1000		
L: 7 mm , D: 1.8 mm, D ₂ : 0.85 mm, 7 mm strip length 216-132	1000	green L: 12 mm, L ₁ : 8 mm , 9.5 mm strip length 216-302	1000		
Uninsulated ferrule for 0.5 mm²/AWG 22 L: 6 mm , D: 2.1 mm, D ₂ : 1 mm, 6 mm strip length 216-121	1000	Insulated ferrule for 0.5 mm²/AWG 22 , 7.5 mm strip length, L: 12 mm, L ₁ : 6 mm , D: 3.1 mm, D ₁ : 2.6 mm, D ₂ : 1 mm white 216-221	1000		
L: 8 mm , D: 2.1 mm, D ₂ : 1 mm, 8 mm strip length 216-101	1000	white L: 14 mm, L ₁ : 8 mm , 9.5 mm strip length 216-201	1000		
Uninsulated ferrule for 0.75 mm²/AWG 20 L: 6 mm , D: 2.3 mm, D ₂ : 1.2 mm, 6 mm strip length 216-122	1000	Insulated ferrule for 0.75 mm²/AWG 20 , 8 mm strip length, L: 12 mm, L ₁ : 6 mm , D: 3.3 mm, D ₁ : 2.8 mm, D ₂ : 1.2 mm gray 216-222	1000		
L: 8 mm , D: 2.3 mm, D ₂ : 1.2 mm, 8 mm strip length 216-102	1000	gray L: 14 mm, L ₁ : 8 mm , 10 mm strip length 216-202	1000		
Uninsulated ferrule for 1 mm²/AWG 18 L: 6 mm , D: 2.5 mm, D ₂ : 1.4 mm, 6 mm strip length 216-123	1000	Insulated ferrule for 1 mm²/AWG 18 , 8 mm strip length, L: 12 mm, L ₁ : 6 mm , D: 3.5 mm, D ₁ : 3 mm, D ₂ : 1.4 mm red 216-223	1000		
L: 8 mm , D: 2.5 mm, D ₂ : 1.4 mm, 8 mm strip length 216-103	1000	red L: 14 mm, L ₁ : 8 mm , 10 mm strip length 216-203	1000		
Uninsulated ferrule for 1.5 mm²/AWG 16 L: 6 mm , D: 2.8 mm, D ₂ : 1.7 mm, 6 mm strip length 216-124	1000	Insulated ferrule for 1.5 mm²/AWG 16 , 8 mm strip length, L: 12 mm, L ₁ : 6 mm , D: 4 mm, D ₁ : 3.5 mm, D ₂ : 1.7 mm black 216-224	1000		
L: 8 mm , D: 2.8 mm, D ₂ : 1.7 mm, 8 mm strip length 216-104	1000	black L: 14 mm, L ₁ : 8 mm , 10 mm strip length 216-204	1000		
Uninsulated ferrule for 2.5 mm²/AWG 14 L: 8 mm , D: 3.4 mm, D ₂ : 2.2 mm, 8 mm strip length 216-105	1000				
L: 10 mm , D: 3.4 mm, D ₂ : 2.2 mm, 10 mm strip length 216-106	1000				

Application notes:

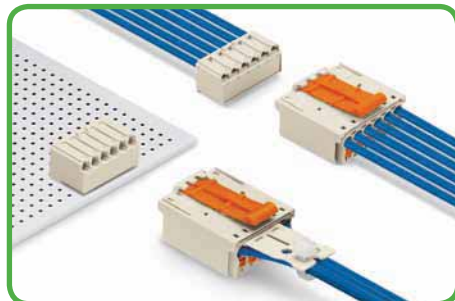
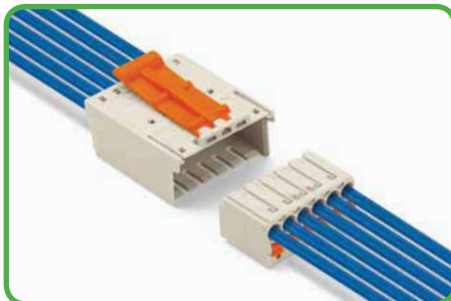
- With "Variocrimp 4," the built-in crimping pressure control automatically adjusts force to the conductor cross section used. With "Variocrimp 16," it is necessary to select the wire gauge on the tool before crimping.
- Only one crimping station is needed to handle the specified conductor size range.
- Uniform, compact crimping on all four sides for high conductor retention.
- No need to center the conductor into the ferrule.
- Conductor and ferrule insertion possible from both sides (for left- and right-handers).
- Built-in ratchet mechanism ensures gastight crimp connection.
- Crimping tools open automatically after crimping operation is complete.
- Ergonomically designed handles.



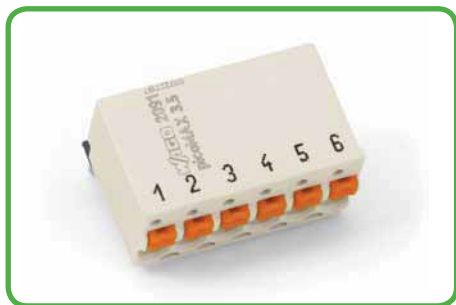
A perfect gastight crimp, both electrically and mechanically reliable.

Accessories for picoMAX® Printing for 2091 and 2092 Series

<p>Direct printing on standard female connectors</p> <p>“Wire-to-board”</p> <p>1 – Pole number</p>	<p>Direct printing on standard female connectors</p> <p>“Wire-to-wire”</p> <p>1 – Pole number</p>	<p>Direct printing on standard male connectors</p> <p>“Wire-to-board” and “wire-to-wire”</p> <p>1 – Pole number</p>
---	--	--

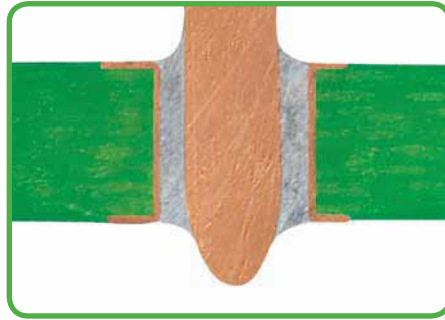
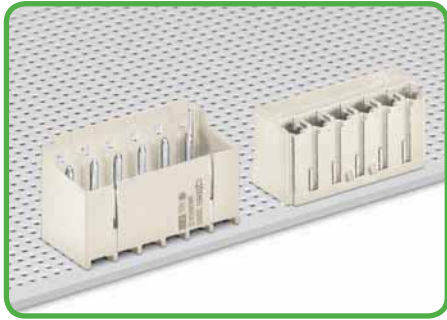


<p>Printing Parallel to Conductor Entry Item No. Suffix: /... - 1000</p> <p>Ordering examples:</p> <p>Female connector, 3.5 mm pin spacing, 6-pole, light gray 2091-1126/0000-1000</p> <p>Female connector with gripping plate, 3.5 mm pin spacing, 6-pole, light gray 2091-1106/0000-1000</p> <p>Female connector with gripping plate and sliding connector release, 3.5 mm pin spacing, 6-pole, light gray 2091-1106/0002-1000</p>	<p>Printing Parallel to Conductor Entry Item No. Suffix: /... - 3000</p> <p>Ordering examples:</p> <p>Female connector, 3.5 mm pin spacing, 6-pole, light gray 2091-1126/0000-3000</p> <p>Female connector with gripping plate, 3.5 mm pin spacing, 6-pole, light gray 2091-1106/0000-3000</p> <p>Female connector with gripping plate and sliding connector release, 3.5 mm pin spacing, 6-pole, light gray 2091-1106/0002-3000</p>	<p>Printing Parallel to Conductor Entry Item No. Suffix: /... - 3000</p> <p>Ordering examples:</p> <p>Male connector, 3.5 mm pin spacing, 6-pole, light gray 2091-1526/0002-3000</p> <p>Male connector with gripping plate, 3.5 mm pin spacing, 6-pole, light gray 2091-1506/0002-3000</p>
---	---	--



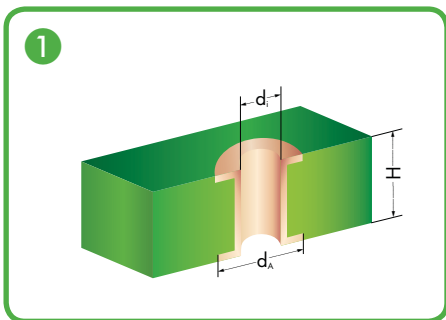
<p>Printing Perpendicular to Conductor Entry Item no. suffix: /... - 5000</p> <p>Ordering examples:</p> <p>Female connector, 3.5 mm pin spacing, 6-pole, light gray 2091-1376/0000-5000</p> <p>Female connector with gripping plate, 3.5 mm pin spacing, 6-pole, light gray 2091-1356/0000-5000</p>

THR (Through-Hole Reflow) Soldering Process

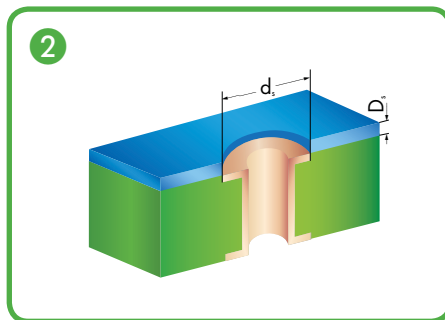


By using high-temperature-resistant plastic and a streamlined pin design, the WAGO Through-Hole Reflow headers and PCB terminal blocks meet requirements for SMT process capability while maintaining the necessary stability. Male headers and THR PCB terminal blocks are simply pushed into the solder paste-filled PCB holes and then soldered along with the SMT components via reflow soldering. The previous wave soldering process is no longer necessary. The result is a perfect connection – both mechanically and electrically.

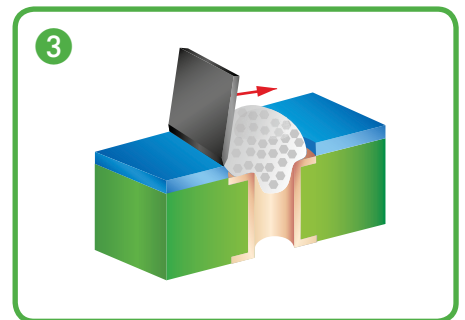
picoMAX® THR male headers in tape-and-reel packaging acc. to IEC 60286-3 are available upon request.



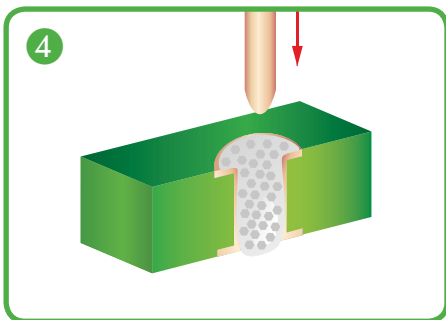
Metal-plated PCB bore hole



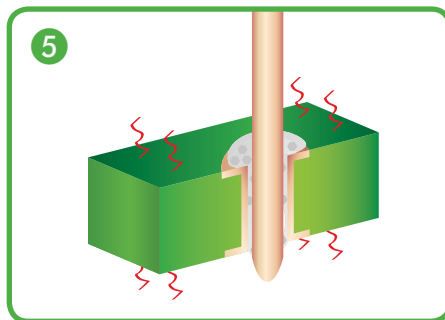
SMD positioning pattern



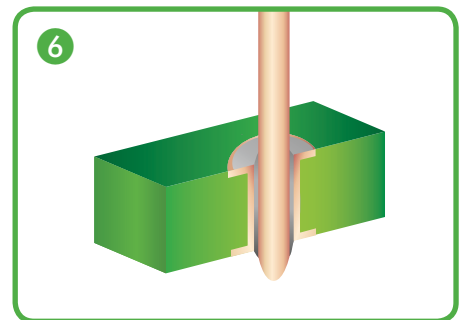
Application of solder paste



Component assembly, automatic/by hand

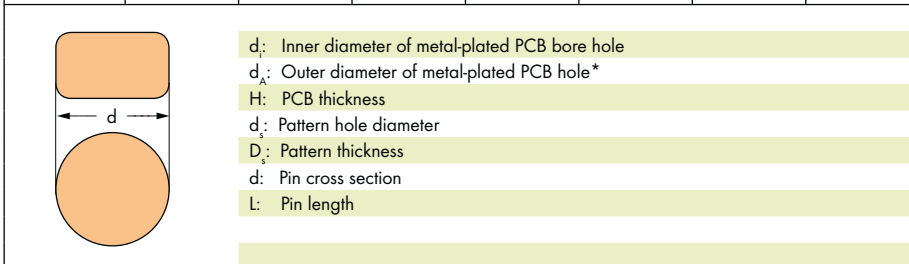


Reflow soldering process



THR soldering joint

Series	d _i (mm)	d _A (mm)	H(mm)	d _s (mm)	D _s (μm)	d(mm)	L(mm)
2091	1.2 ^{+0.1}	1.9	< 2	1.8	150	1.0 Ø	2.4
2091	1.2 ^{+0.1}	1.9	< 2	1.8	150	0.4 x 0.5	2.4
2092	1.6 ^{+0.1}	2.3	< 2	2.2	150	1.4 Ø	2.4
2092	1.5 ^{+0.1}	2.2	< 2	2.1	150	0.4 x 1.3	2.4



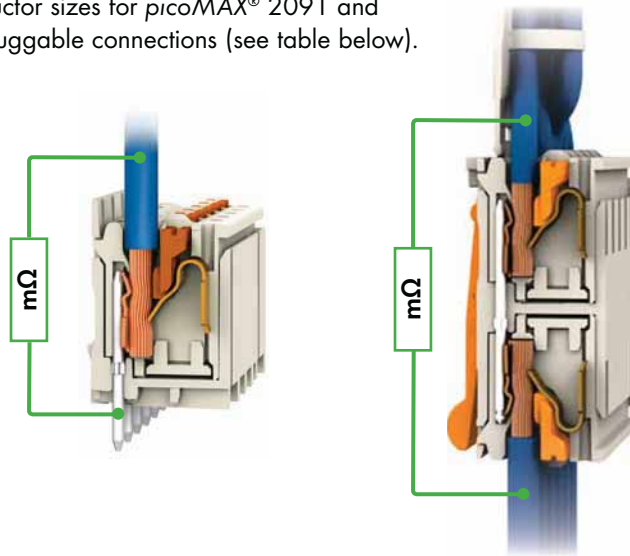
* When laying out the metal-plated bore holes, the clearance and creepage distance requirements – as specified in the equipment standards – must be considered.

WAGO recommends a temperature profile for processing THR components (see "Technical Section").

Depending on reflow soldering temperatures and times, color deviations may occur for light gray connectors. These deviations will have no impact on functionality.

• Contact Resistance

Typical contact resistance values for various conductor sizes for picoMAX® 2091 and 2092 Series “wire-to-board” and “wire-to-wire” pluggable connections (see table below).



Conductor Size in mm ²		“Wire-to-Board”		“Wire-to-Wire”	
		2091 Series	2092 Series	2091 Series	2092 Series
0.25	fine-stranded	1.43 mΩ	1.83 mΩ	2.58 mΩ	5.71 mΩ
0.5	fine-stranded	1.09 mΩ	1.15 mΩ	1.64 mΩ	2.28 mΩ
1.0	fine-stranded	0.99 mΩ	0.91 mΩ	1.43 mΩ	1.41 mΩ
1.5	fine-stranded	0.72 mΩ	0.71 mΩ	1.02 mΩ	1.20 mΩ
2.5	fine-stranded	-	0.60 mΩ	-	1.09 mΩ
0.25	fine-stranded, with ferrule	0.79 mΩ	0.78 mΩ	1.44 mΩ	1.40 mΩ
0.5	fine-stranded, with ferrule	0.69 mΩ	0.58 mΩ	1.10 mΩ	1.06 mΩ
1.0	fine-stranded, with ferrule	0.52 mΩ	0.46 mΩ	0.83 mΩ	0.82 mΩ
1.5	fine-stranded, with ferrule	0.51 mΩ	0.38 mΩ	0.82 mΩ	0.69 mΩ
2.5	fine-stranded, with ferrule	-	0.38 mΩ	-	0.61 mΩ

• Connecting Ferrules for 2091 and 2092 Series

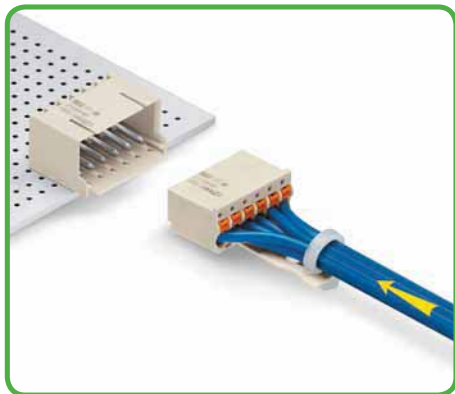
Conductor Size in mm ²		Ferrule Item No.	
		2091 Series	2092 Series
0.25	fine-stranded, with insulated ferrule	216-301	216-301
0.34	fine-stranded, with insulated ferrule	216-302	216-302
0.5	fine-stranded, with insulated ferrule	216-201	216-201
0.75	fine-stranded, with insulated ferrule	216-202	216-202
1.0	fine-stranded, with insulated ferrule	-	216-203
1.5	fine-stranded, with insulated ferrule	-	216-204
0.25	fine-stranded, with ferrule	216-131	216-131
0.34	fine-stranded, with ferrule	216-132	216-132
0.5	fine-stranded, with ferrule	216-101	216-101 216-141
0.75	fine-stranded, with ferrule	216-102	216-102 216-142
1.0	fine-stranded, with ferrule	216-103	216-103 216-143
1.5	fine-stranded, with ferrule	216-104	216-104 216-144
2.5	fine-stranded, with ferrule	-	216-106

For ferrules, see page 67.

- Current-Carrying Capacity Curve (Derating Curve) to EN 60512-5-2 / Reduction Factor: 0.8

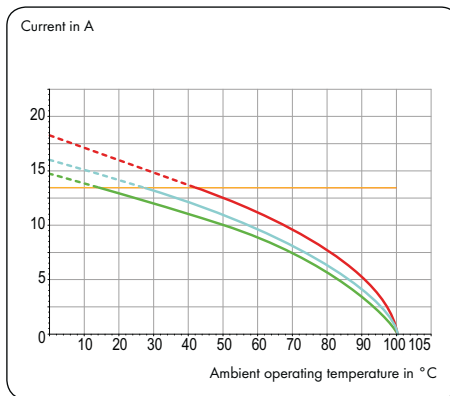
picoMAX®, 2091 Series, 3.5 mm pin spacing

“Wire-to-board” connection



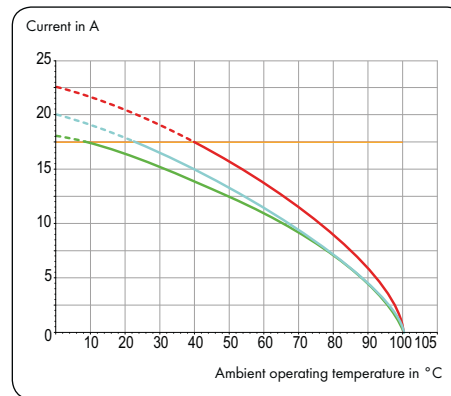
Example: Standard female connector and male header

1.0 mm² test conductor, fine-stranded

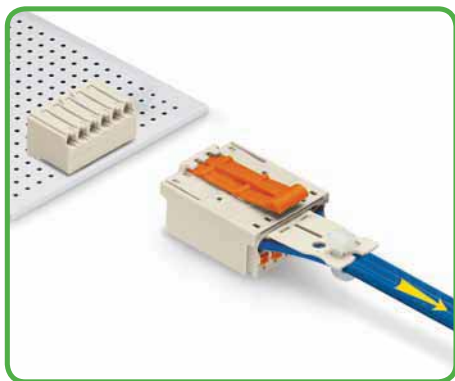


2-, 6-, 12-pole — Conductor rated current

1.5 mm² test conductor, fine-stranded

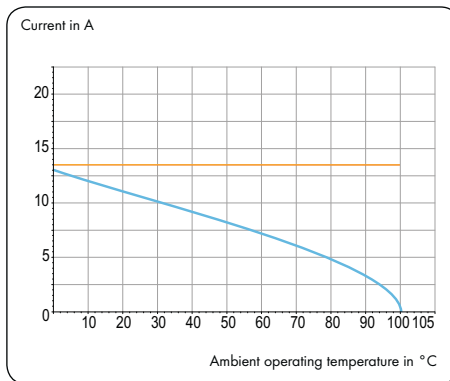


“Board-to-wire” connection



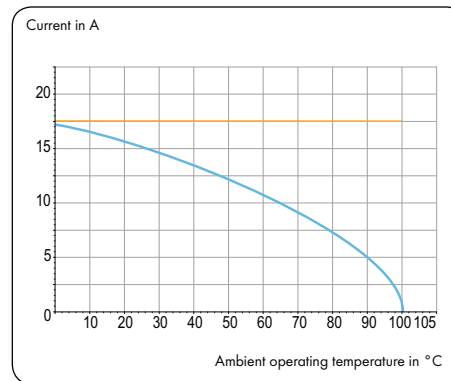
Example: Female header and standard male connector

1.0 mm² test conductor, fine-stranded

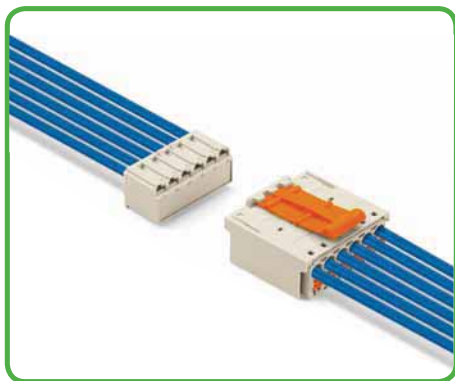


6-pole — Conductor rated current

1.5 mm² test conductor, fine-stranded

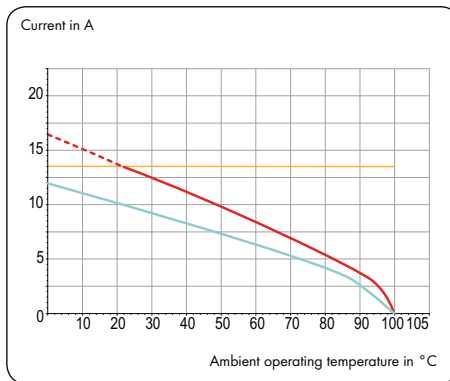


“Wire-to-wire” connection



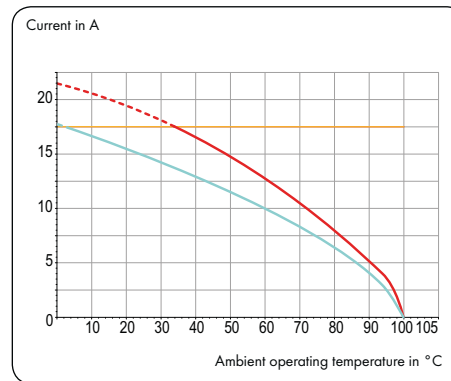
Example: Standard female and male connector

1.0 mm² test conductor, fine-stranded



2-, 6-pole — Conductor rated current

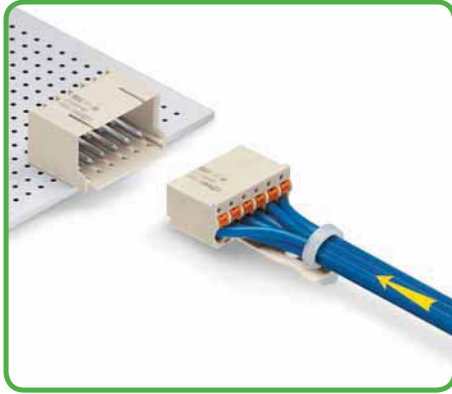
1.5 mm² test conductor, fine-stranded



• Current-Carrying Capacity Curve (Derating Curve) to EN 60512-5-2 / Reduction Factor: 0.8

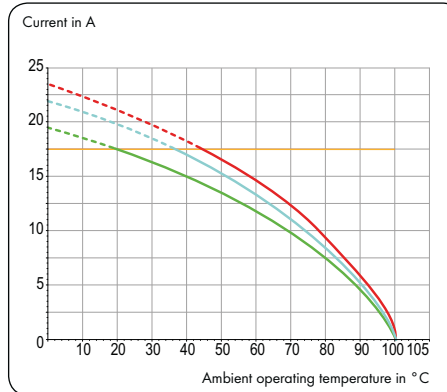
picoMAX[®], 2092 Series, 5.0 mm pin spacing

“Wire-to-board” connection

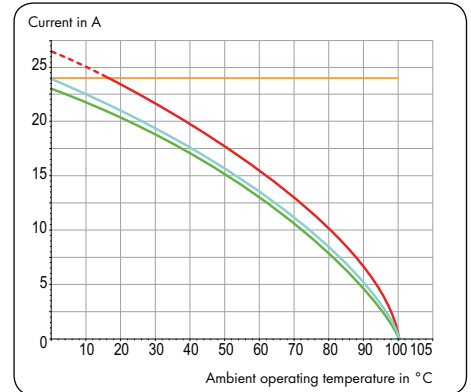


Example: Standard female connector and male header

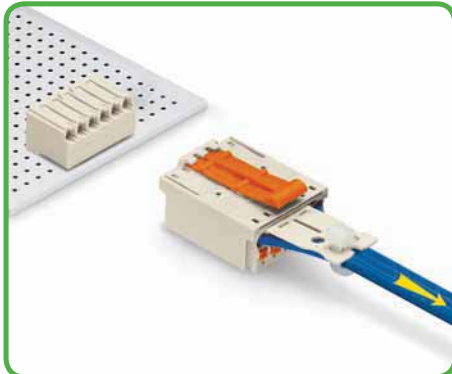
1.5 mm² test conductor, fine-stranded



2.5 mm² test conductor, fine-stranded

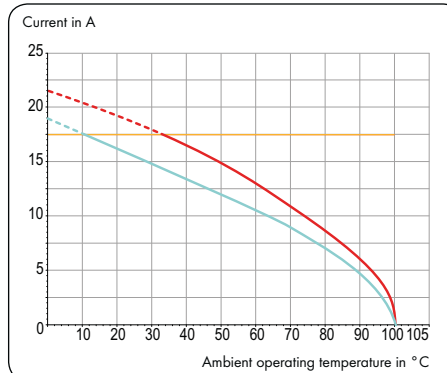


“Board-to-wire” connection

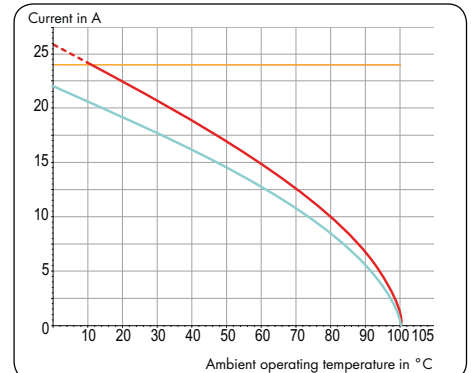


Example: Female header and standard male connector

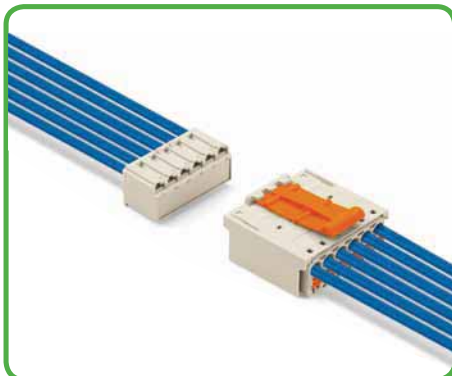
1.5 mm² test conductor, fine-stranded



2.5 mm² test conductor, fine-stranded

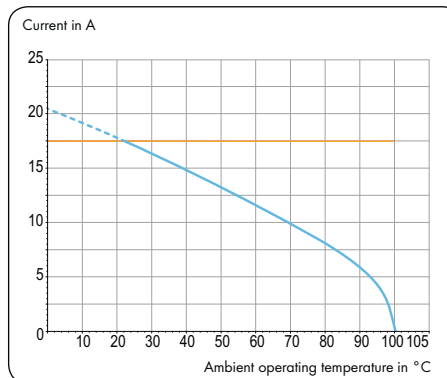


“Wire-to-wire” connection

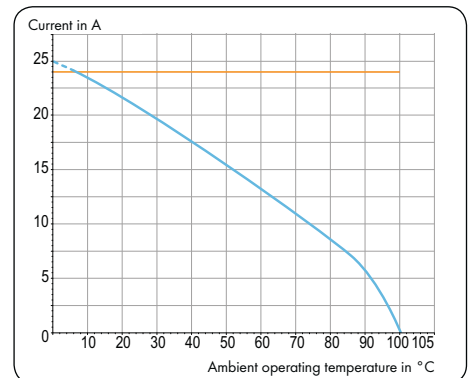


Example: Standard female and male connector

1.5 mm² test conductor, fine-stranded



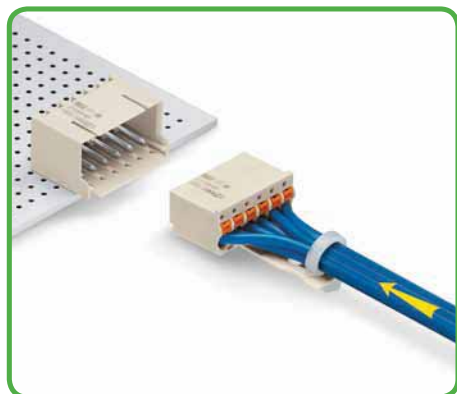
2.5 mm² test conductor, fine-stranded



- Current-Carrying Capacity Curve (Derating Curve) to EN 60512-5-2 / Reduction Factor: 0.8

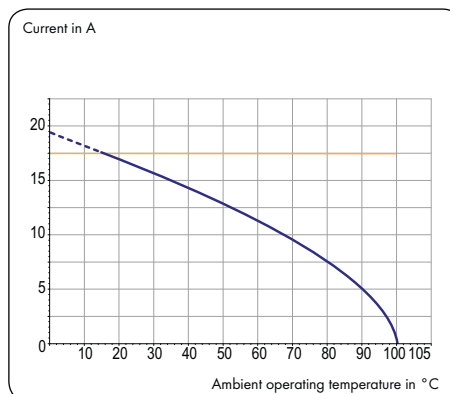
picoMAX®, 2092 Series, 7.5 mm pin spacing

“Wire-to-board” connection

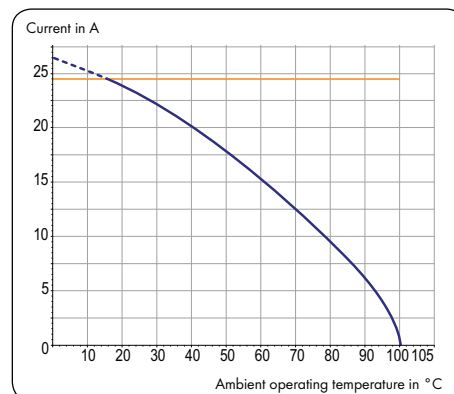


Example: Standard female connector and male header

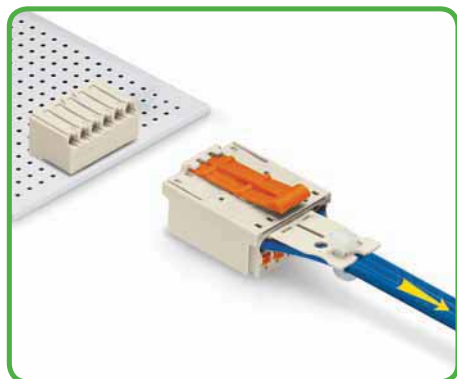
1.5 mm² test conductor, fine-stranded



2.5 mm² test conductor, fine-stranded

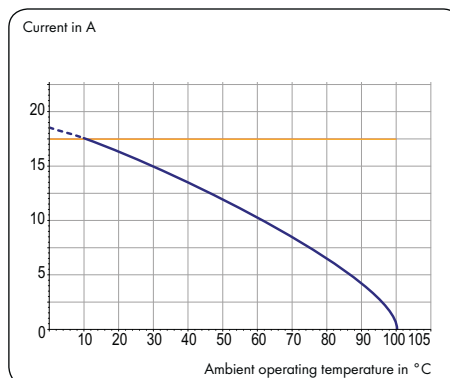


“Board-to-wire” connection

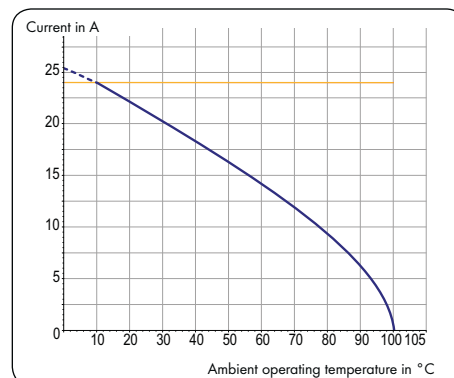


Example: Female header and standard male connector

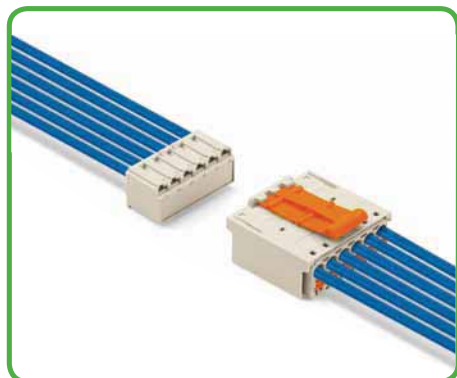
1.5 mm² test conductor, fine-stranded



2.5 mm² test conductor, fine-stranded

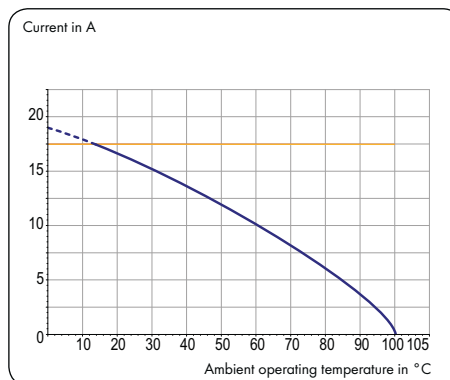


“Wire-to-wire” connection

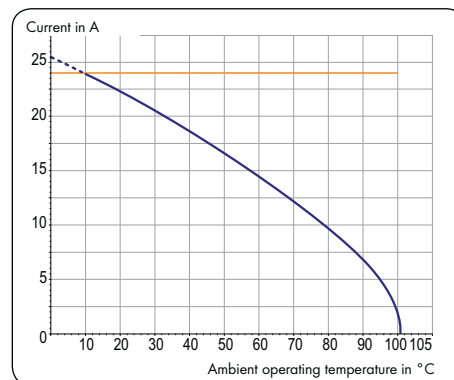


Example: Standard female and male connector

1.5 mm² test conductor, fine-stranded



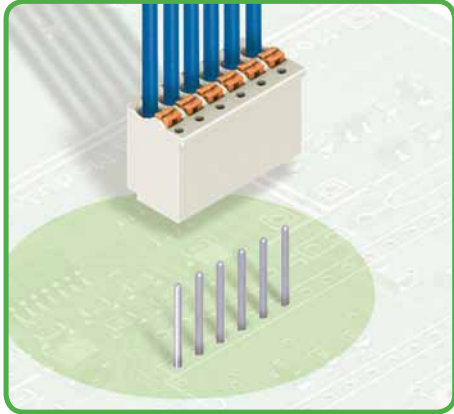
2.5 mm² test conductor, fine-stranded



• Current-Carrying Capacity Curve (Derating Curve) to EN 60512-5-2 / Reduction Factor: 0.8

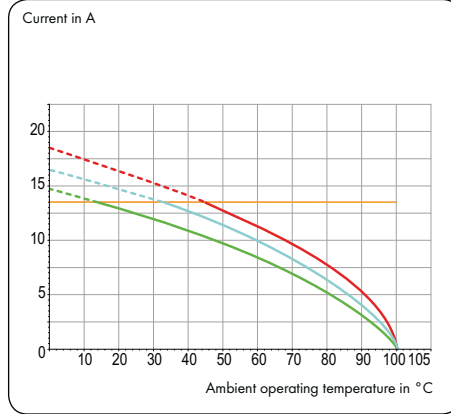
picoMAX® eCOM, 2091 Series, 3.5 mm pin spacing

“Wire-to-board” connection



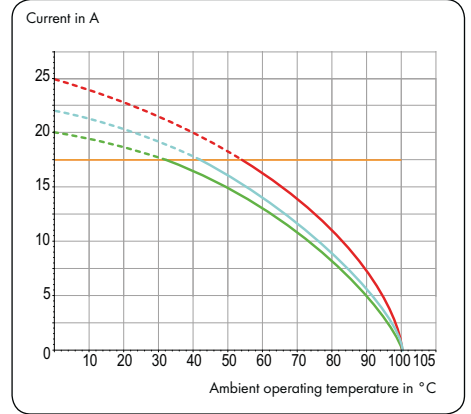
Example: 2091-1176 pluggable PCB connector

1.0 mm² test conductor, fine-stranded



2-, 6-, 12-pole — Conductor rated current

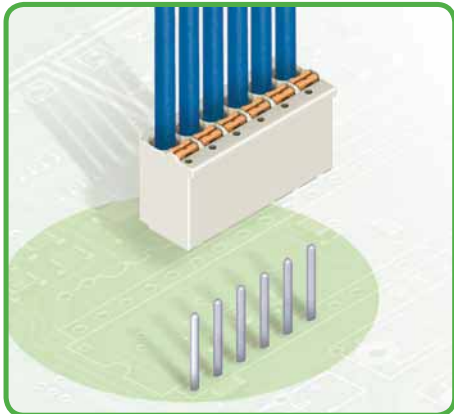
1.5 mm² test conductor, fine-stranded



2-, 6-, 12-pole — Conductor rated current

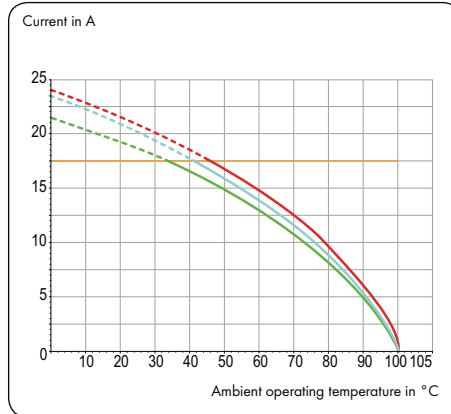
picoMAX® eCOM, 2092 Series, 5.0 mm pin spacing

“Wire-to-board” connection



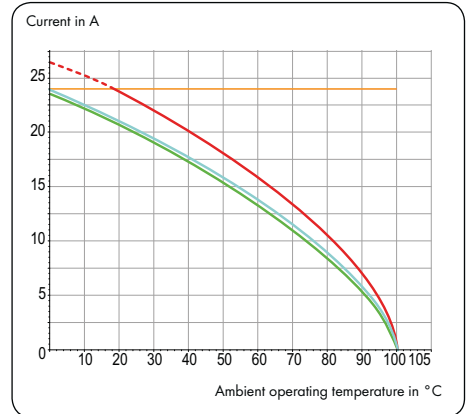
Example: 2092-1176 pluggable PCB connector

1.5 mm² test conductor, fine-stranded



2-, 6-, 12-pole — Conductor rated current

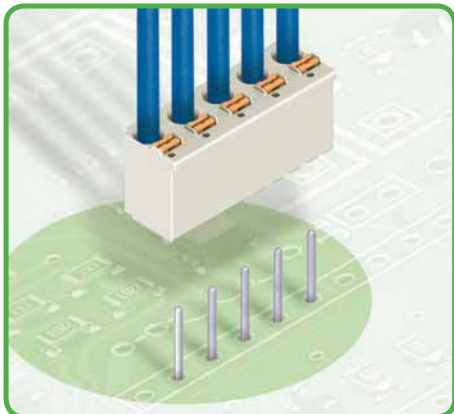
2.5 mm² test conductor, fine-stranded



2-, 6-, 12-pole — Conductor rated current

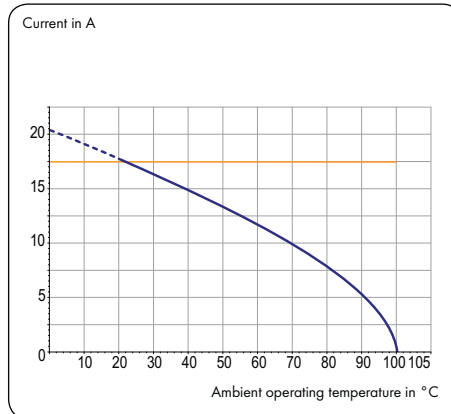
picoMAX® eCOM, 2092 Series, 7.5 mm pin spacing

“Wire-to-board” connection



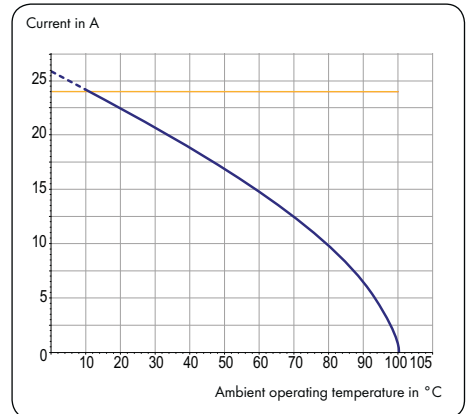
Example: 2092-3175 pluggable PCB connector

1.5 mm² test conductor, fine-stranded



4-pole — Conductor rated current

2.5 mm² test conductor, fine-stranded

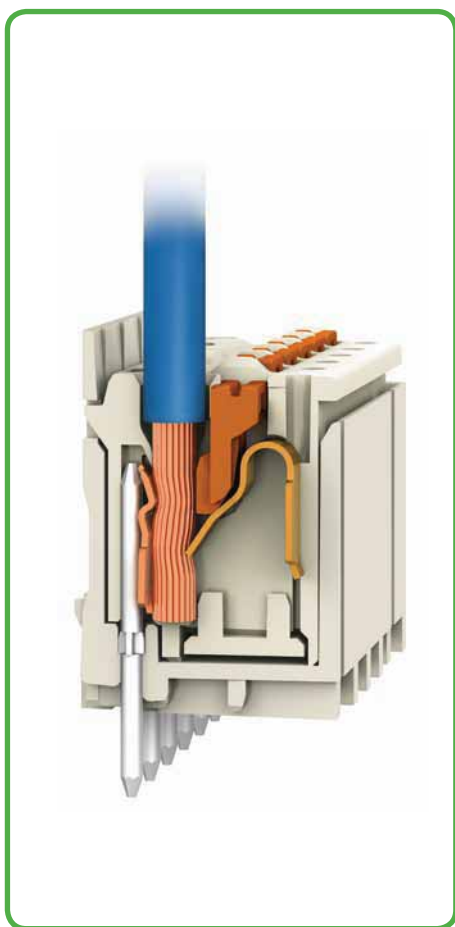


4-pole — Conductor rated current

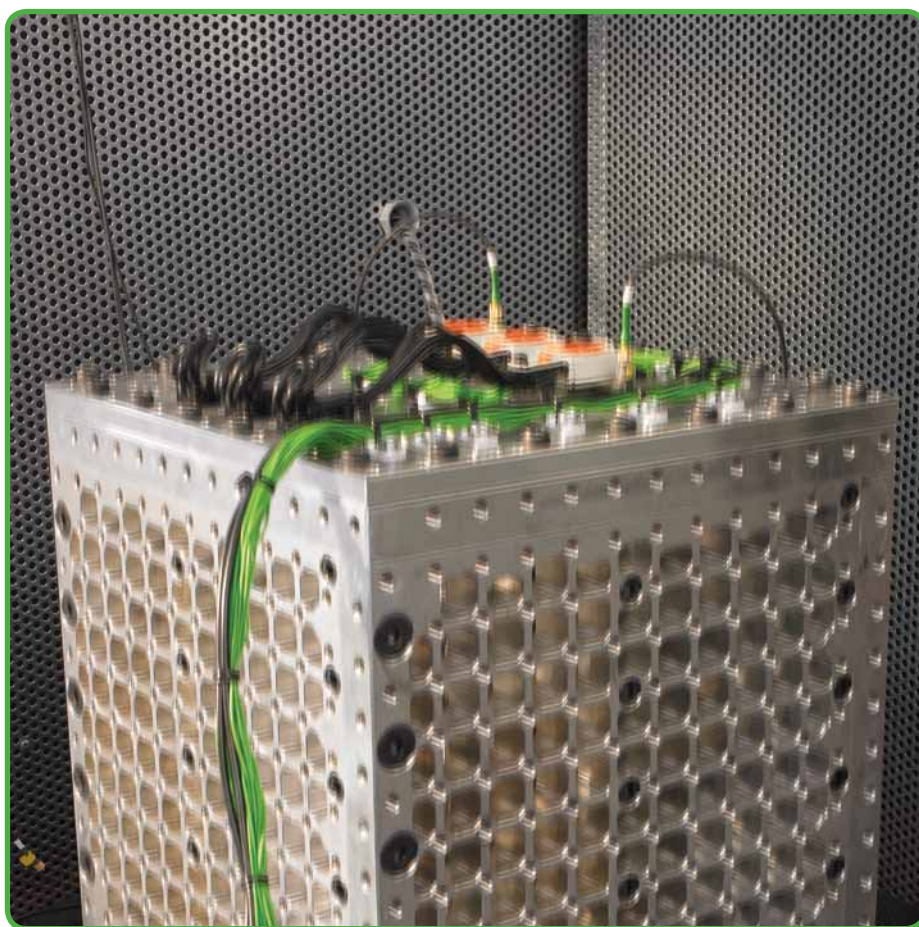
- Vibration Test to EN 60068-2-6 for *picoMAX*[®] “Wire-to-Board” Connection

In the vibration test based on EN 60068-2-6, the *picoMAX*[®] “wire-to-board” connection (male header with solder pins and standard female connector) is tested in a frequency range of 5 to 2,000 Hz with 10 frequency cycles of 17.3 minutes per axis. Acceleration starts with 10 g along all 3 axes and is then gradually increased from 14 g to 16 g, and finally 20 g. A failure occurs when the contact resistance increases by more than 50% of its initial value, or when a contact interruption of more than 20ns is detected.

The test is performed in a cascading manner. This means that every pluggable connector is subjected to all acceleration values up to the maximum acceleration. In this test, the above-mentioned *picoMAX*[®] 2091 Series “wire-to-board” pluggable connection (terminated with 1.5 mm²/AWG 14 fine-stranded conductors) achieved an acceleration of 20 g without failure. This value reflects the high vibration-resistance of *picoMAX*[®]. The termination of smaller conductor sizes, as well as both “wire-to-wire” and “board-to-wire” connections, achieve lower acceleration values. The *picoMAX*[®] eCOM pluggable connection, however, is only partly suitable for shock- and vibration-prone environments.



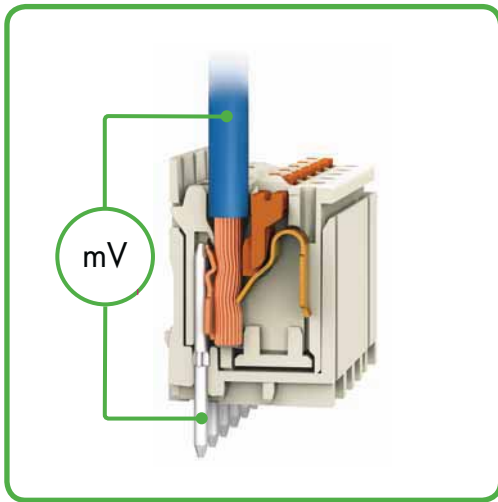
The *picoMAX*[®] female connector is fully shrouded by the male header’s housing, reducing overall connector height. This significantly increases vibration- and shock-resistance via integrated locking latches.



Vibration test performed on a 2091 Series “wire-to-board” connection

• Mating Cycle Test

A cascading test sequence is used to determine the mating cycle number of *picoMAX*[®] pluggable connectors. First, a service life test is performed based on IEC/EN 61984, in which the contact surfaces of the pluggable connectors are exposed to mechanical abrasion via mating cycles (i.e., connection and disconnection). Then, an accelerated aging test is performed in industrial atmospheres according to EN ISO 6988. Finally, the pluggable connectors are submitted to a current load cycle test with rated current. A test cycle runs for 30 minutes with current and for 30 minutes without current. Both contact resistance and voltage drop values are determined at the beginning and then continuously monitored during the test. These values have to be within the specified limits. Due to the cascading service life test performed above, up to 25 mating cycles are outlined for practical applications of the *picoMAX*[®] pluggable connection system. More information about connection and disconnection forces are available upon request.



Voltage drop measurement after mating cycle test

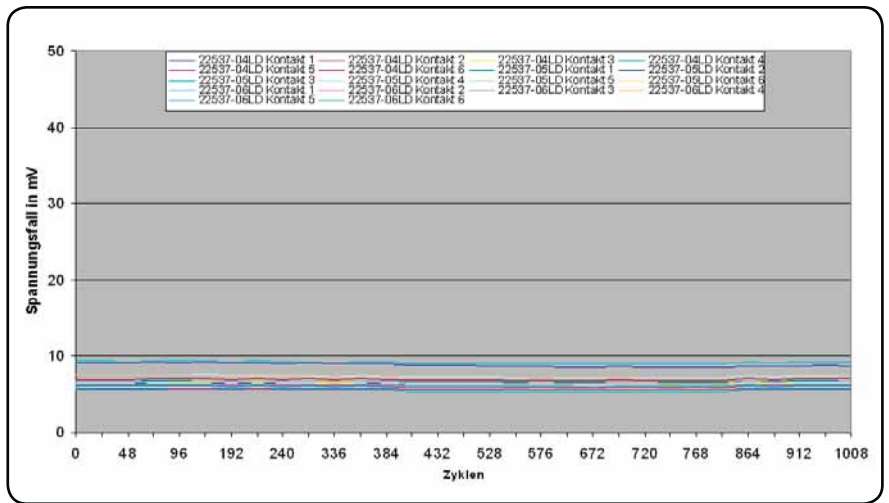
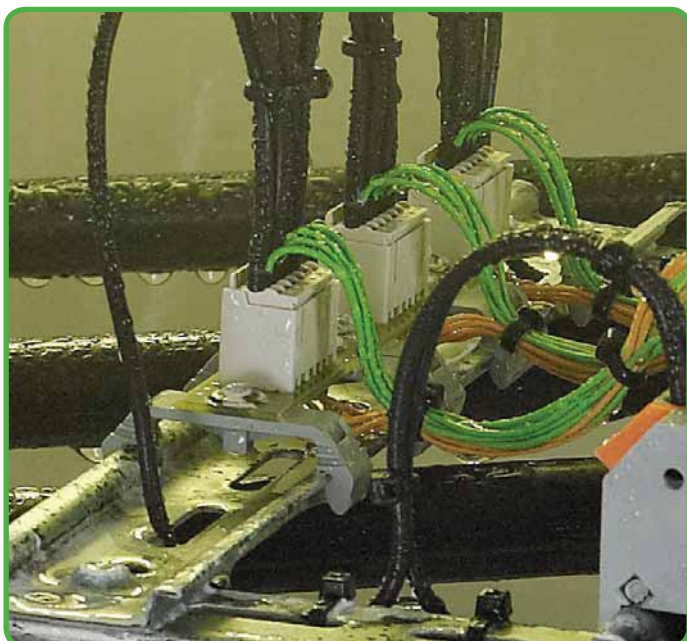


Diagram: "Current load cycle with voltage drop progression over 1000 cycles"

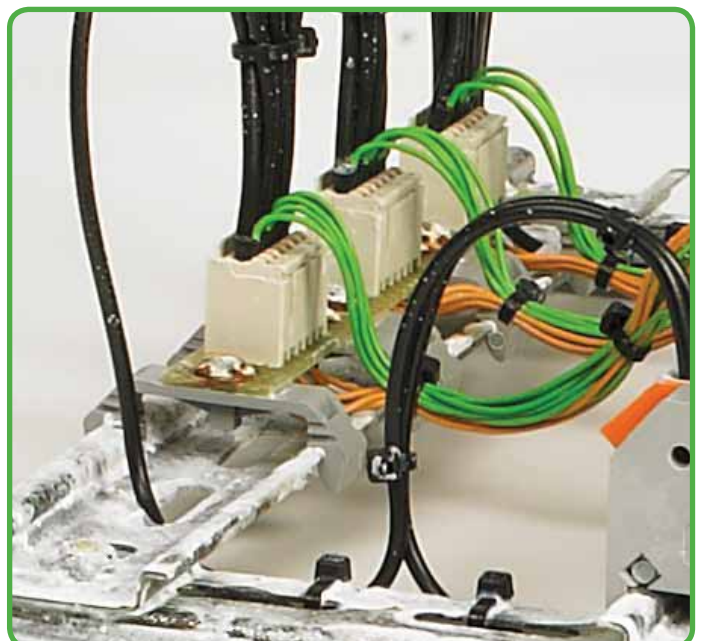
According to the cascading service life test, *picoMAX*[®] is suitable for up to 25 mating cycles.

• Salt Spray Test to IEC/EN 60068-2-11

Ferrules are used to terminate fine-stranded conductors in extremely harsh environmental conditions. Salt spray tests per IEC/EN 60068-2-11 show positive results even after 96 hours in a salt spray chamber.



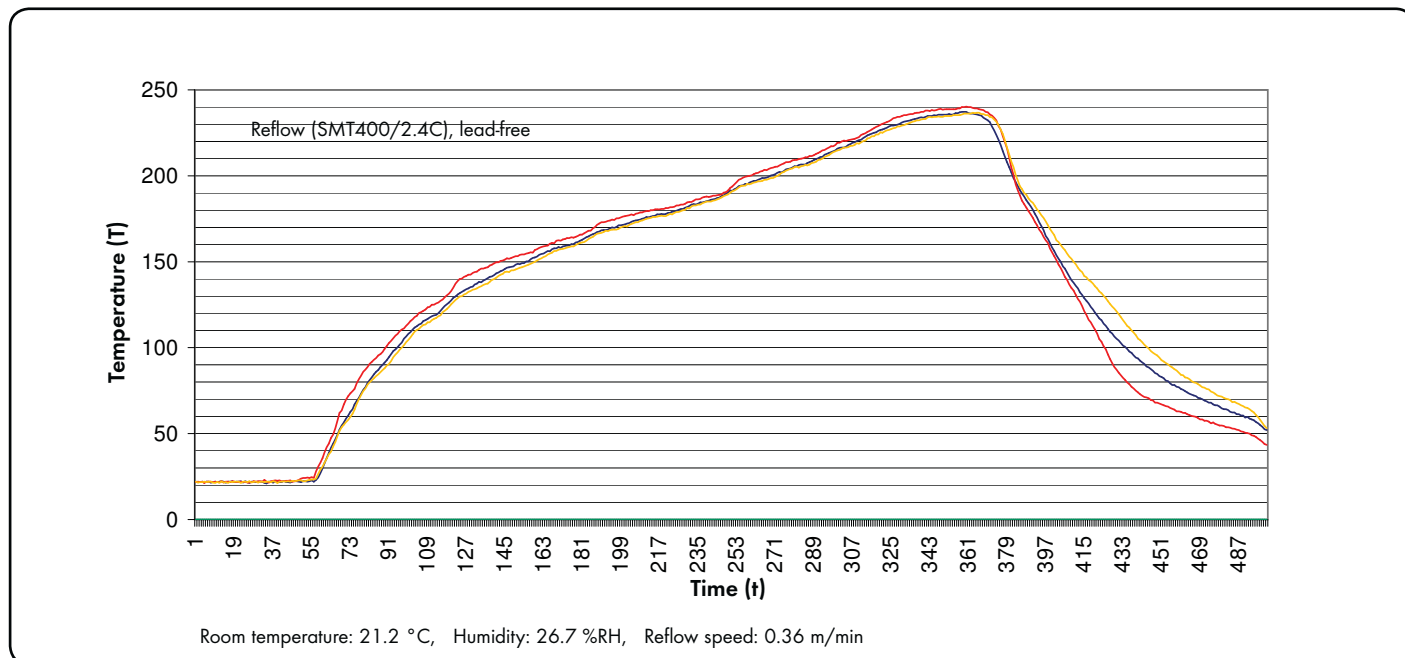
Salt spray chamber with *picoMAX*[®] test arrangement



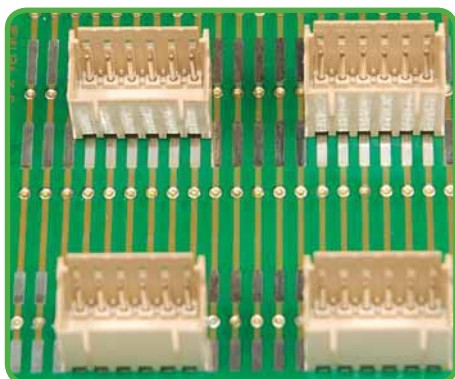
picoMAX[®] test arrangement after the salt spray test

• Reflow Soldering Processing

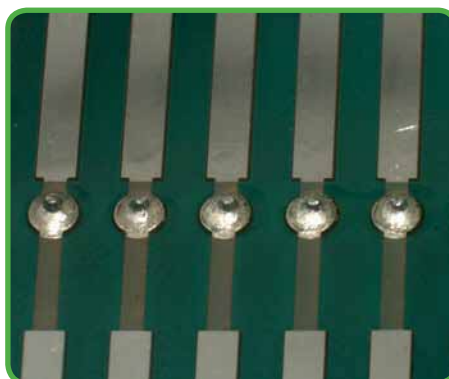
picoMAX® male and female headers with solder pins are available in THR variants with 2.4 mm pin projection on the solder side. This pin length is ideal for THR soldering applications with PCB thickness from 1.5 to 2 mm. With the specified solder profile for a four-zone convection reflow oven, both process capability and soldering result for picoMAX® THR versions have been tested for a Sn96.5 Ag3 Cu0.5 lead-free solder.



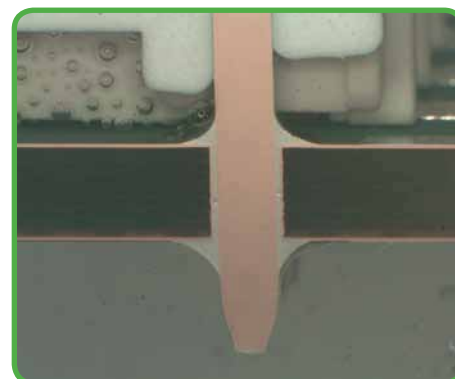
Soldering results for picoMAX® – Male headers with solder pins



THR sample board showing picoMAX® male headers with solder pins

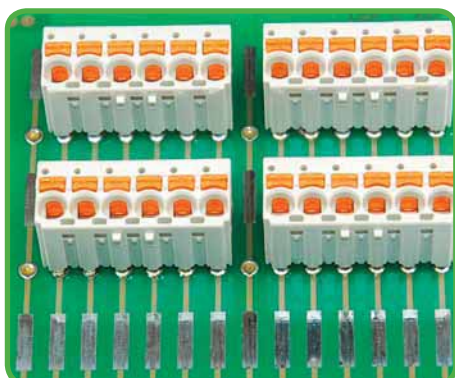


Solder joints on the bottom side of the PCB

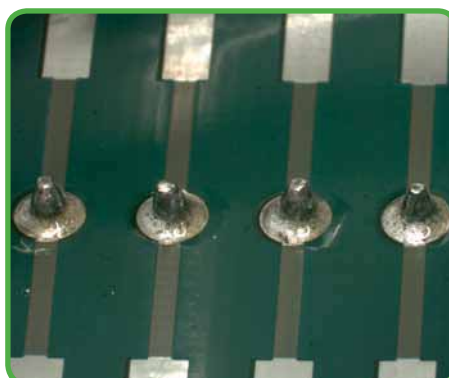


Drilled hole section

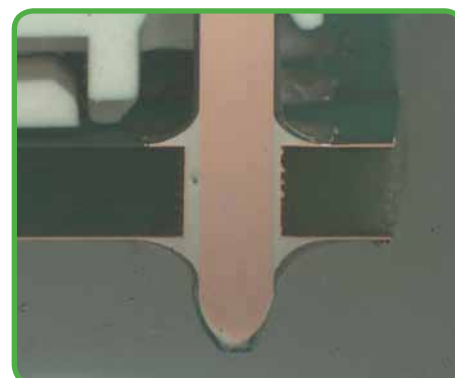
Soldering results for picoMAX® eCOM – Pluggable PCB connectors



THR sample board showing picoMAX® eCOM



Solder joints on the bottom side of the PCB



Drilled hole section

Index of Item Numbers

Item No.	Page	Item No.	Page	Item No.	Page	Item No.	Page
206 Series		2091 Series		2091 Series		2092 Series	
206-204	67	2091-1174	59	2091-1603/002-000	65	2092-1402	33
		2091-1175	59			2092-1402/005-000	34
209 Series		2091-1176	59	2091-1610	66	2092-1403	33
209-120	66	2091-1178	59	2091-1632/024-000	27	2092-1403/005-000	34
		2091-1180	59	2091-1634/024-000	27	2092-1404	33
		2091-1182	59	2091-1636/024-000	27	2092-1404/005-000	34
210 Series		2091-1302	25	2091-1638/024-000	27	2092-1405	33
210-719	64	2091-1304	25			2092-1405/005-000	34
		2091-1306	25	2092 Series		2092-1406	33
		2091-1308	25	2092-1102	30	2092-1408	33
216 Series				2092-1102/002-000	29	2092-1410	33
216-101	67	2091-1322	25	2092-1103	30	2092-1412	33
216-102	67	2091-1324	25	2092-1103/002-000	29	2092-1422	33
216-103	67	2091-1326	25	2092-1104	30	2092-1422/005-000	34
216-104	67	2091-1328	25	2092-1104/002-000	29	2092-1423	33
216-105	67			2092-1105	30	2092-1423/005-000	34
216-106	67	2091-1352	59	2092-1105/002-000	29	2092-1424	33
216-121	67	2091-1353	59	2092-1106	30	2092-1424/005-000	34
216-122	67	2091-1354	59	2092-1106/002-000	29	2092-1425	33
216-123	67	2091-1355	59	2092-1108	30	2092-1425/005-000	34
216-124	67	2091-1356	59	2092-1108/002-000	29	2092-1426	33
216-131	67	2091-1358	59	2092-1110	30	2092-1428	33
216-132	67	2091-1360	59	2092-1110/002-000	29	2092-1430	33
216-151	67	2091-1362	59	2092-1112	30	2092-1432	33
216-152	67			2092-1112/002-000	29		
216-201	67	2091-1372	59	2092-1122	31	2092-1502/002-000	37
216-202	67	2091-1373	59	2092-1123	31	2092-1504/002-000	37
216-203	67	2091-1374	59	2092-1124	31	2092-1506/002-000	37
216-204	67	2091-1375	59	2092-1125	31	2092-1508/002-000	37
216-221	67	2091-1376	59	2092-1126	31		
216-222	67	2091-1378	59	2092-1128	31	2092-1522/002-000	37
216-223	67	2091-1380	59	2092-1130	31	2092-1522/020-000	37
216-224	67	2091-1382	59	2092-1132	31	2092-1524/002-000	37
216-301	67			2092-1152	61	2092-1524/020-000	37
216-302	67	2091-1402	19	2092-1153	61	2092-1526/002-000	37
216-321	67	2091-1402/005-000	20	2092-1154	61	2092-1526/020-000	37
216-322	67	2091-1403	19	2092-1156	61	2092-1528/002-000	37
		2091-1403/005-000	20	2092-1158	61	2092-1528/020-000	37
735 Series		2091-1404	19	2092-1160	61		
735-500	64	2091-1404/005-000	20	2092-1162	61	2092-1600	65
		2091-1405	19			2092-1600/002-000	65
		2091-1405/005-000	20	2092-1172	61	2092-1601	65
		2091-1406	19	2092-1173	61	2092-1601/002-000	65
2091 Series		2091-1408	19	2092-1174	61	2092-1602	65
2091-1102	16	2091-1410	19	2092-1175	61	2092-1602/002-000	65
2091-1102/002-000	15	2091-1412	19	2092-1176	61	2092-1603	65
2091-1103	16			2092-1177	61	2092-1603/002-000	65
2091-1103/002-000	15	2091-1422	19	2092-1178	61		
2091-1104	16	2091-1422/005-000	20	2092-1180	61	2092-1610	66
2091-1104/002-000	15	2091-1423	19	2092-1182	61		
2091-1105	16	2091-1423/005-000	20			2092-1630	64
2091-1105/002-000	15	2091-1424	19	2092-1302	39		
2091-1106	16	2091-1424/005-000	20	2092-1304	39	2092-1632/024-000	41
2091-1106/002-000	15	2091-1425	19	2092-1306	39	2092-1634/024-000	41
2091-1108	16	2091-1425/005-000	20	2092-1308	39	2092-1636/024-000	41
2091-1108/002-000	15	2091-1426	19			2092-1638/024-000	41
2091-1110	16	2091-1428	19	2092-1322	39		
2091-1110/002-000	15	2091-1430	19	2092-1324	39	2092-3102	44
2091-1112	16	2091-1432	19	2092-1326	39	2092-1102/002-000	43
2091-1112/002-000	15			2092-1328	39	2092-3103	44
		2091-1502/002-000	23			2092-1103/002-000	43
2091-1122	17	2091-1504/002-000	23	2092-1352	61	2092-3104	44
2091-1123	17	2091-1506/002-000	23	2092-1353	61	2092-1104/002-000	43
2091-1124	17	2091-1508/002-000	23	2092-1355	61	2092-3105	44
2091-1125	17			2092-1356	61	2092-1105/002-000	43
2091-1126	17	2091-1522/002-000	23	2092-1358	61		
2091-1128	17	2091-1522/020-000	23	2092-1360	61	2092-3122	45
2091-1130	17	2091-1524/002-000	23	2092-1362	61	2092-3123	45
2091-1132	17	2091-1524/020-000	23			2092-3124	45
		2091-1526/002-000	23	2092-1372	61	2092-3125	45
2091-1152	59	2091-1526/020-000	23	2092-1374	61		
2091-1153	59	2091-1528/002-000	23	2092-1375	61	2092-3152	63
2091-1154	59	2091-1528/020-000	23	2092-1376	61	2092-3153	63
2091-1155	59			2092-1377	61	2092-3154	63
2091-1156	59	2091-1600	65	2092-1378	61	2092-3155	63
2091-1158	59	2091-1600/002-000	65	2092-1380	61		
2091-1160	59	2091-1601	65	2092-1382	61	2092-3172	63
2091-1162	59	2091-1601/002-000	65			2092-3173	63
		2091-1602	65	2092-1372	61	2092-3174	63
2091-1172	59	2091-1602/002-000	65	2092-1373	61	2092-3175	63
2091-1173	59	2091-1603	65	2092-1374	61		

Item No.	Page	Item No.	Page	Item No.	Page	Item No.	Page
2092 Series							
2092-3302	53						
2092-3303	53						
2092-3304	53						
2092-3305	53						
2092-3322	53						
2092-3323	53						
2092-3324	53						
2092-3325	53						
2092-3352	63						
2092-3353	63						
2092-3354	63						
2092-3355	63						
2092-3372	63						
2092-3373	63						
2092-3374	63						
2092-3375	63						
2092-3402	47						
2092-3402/005-000	48						
2092-3403	47						
2092-3403/005-000	48						
2092-3404	47						
2092-3404/005-000	48						
2092-3405	47						
2092-3405/005-000	48						
2092-3422	47						
2092-3422/005-000	48						
2092-3423	47						
2092-3423/005-000	48						
2092-3424	47						
2092-3424/005-000	48						
2092-3425	47						
2092-3425/005-000	48						
2092-3502/002-000	51						
2092-3504/002-000	51						
2092-3506/002-000	51						
2092-3508/002-000	51						
2092-3522/002-000	51						
2092-3522/020-000	51						
2092-3524/002-000	51						
2092-3524/020-000	51						
2092-3526/002-000	51						
2092-3526/020-000	51						
2092-3528/002-000	51						
2092-3528/020-000	51						
2092-3600	65						
2092-3600/002-000	65						
2092-3601	65						
2092-3601/002-000	65						
2092-3602	65						
2092-3602/002-000	65						
2092-3603	65						
2092-3603/002-000	65						

Algeria
please contact WAGO France

Argentina
Bruno Schillig S.A.
Arenales 4030, B1604CFD
Florida, PBA
Phone +54 11 4730 1100
Fax +54 11 4761 7244
wago@schillig.com.ar

Australia
Kontakt Group
Building Automation & WINSTA Systems
Office: 730 Springvale Rd
Mulgrave Victoria 3170
P.O. Box 3003, Wheelers Hill VIC 3150
Tel. +61 03 95602757
Fax +61 03 95601727
sales@kontaktgroup.com.au

NHP ELECTRICAL ENGINEERING PRODUCTS PTY LTD
43-67 River Street
Richmond, Victoria, 3121, P.O. Box 199
Phone +61 3 9429 2999
Fax +61 3 9429 1075
export@wago.com

Austria
WAGO Kontakttechnik Ges.m.b.H.
Laxenburger Straße 244
1230 Wien
Phone +43 1 6150780
Fax +43 1 6150775
info.at@wago.com

Azerbaijan
AZ Technics LTD
Zulfu V. Alizade
Y.Safarov str.33 , AZ1025,
Baku
Republic of Azerbaijan
Tel. +994 12 4968335
Fax +994 12 4968334
info@AZtechnics.az

Belarus
UP FEK
pr-t Pushkina 29-B
220015 Minsk
Phone +375 17 2102189
Fax +375 17 2102189
wago@fek.by

Belgium
WAGO Kontakttechnik
Excelsiorlaan 11
1930 Zaventem
Phone +32 2 7179090
Fax +32 2 7179099
info-be@wago.com

Bosnia and Herzegovina
please contact WAGO Bulgaria

Brazil
WAGO Eletroeletrônicos Ltda
Rua Américo Simões 1470
São Roque da Chave
Itupeva SP Brasil 13295-000
Phone +55 11 4591 0199
Fax +55 11 4591 0190
info.br@wago.com

Bulgaria
WAGO Kontakttechnik GmbH & Co. KG
Business Center Serdika
2E Akad. Ivan Geshov Blvd.
Building 1, Floor 4, Office 417
1330 Sofia
Phone +359 2 489 46 09
Fax +359 2 928 28 50
info-BG@wago.com

Canada
please contact WAGO USA

Chile
Desimat Chile
Av Puerto Vespuccio 9670
Pudahuel Santiago
Phone +56 2 7470152
Fax +56 2 7470153
ventaschile@desimat.cl

China
WAGO ELECTRONIC (TIANJIN) Co. LTD
No.5, Quan Hui Road, Wuqing Development Area
Tianjin 301700
Phone +86 22 59617688
Fax +86 22 59617668
info-cn@wago.com

Columbia
T.H.L. Ltda.
Cra. 49 B # 91-33
Bogotá
Phone +57 1 621 85 50
Fax +57 1 621 60 28
ventas-thl@thl-ldta.com

Croatia
M.B.A. d.o.o. za trgovinu i zastupanje
Frana Supila 5
51211 Matulji HR
Phone +385 51 275-736
Fax +385 51 275-066
mba@ri.htnet.hr

Croatia
GENERA CTR d.o.o.
- just for automation technology -
Siget 18 b
10020 Zagreb
Phone +385 13647849
Fax +385 13636662
wago@geneza.hr

Czech Republic
WAGO Elektro spol. sr. o.
Rozvodova 1116/36
143 00 Praha 4 - Modřany
Phone +420 261 090 143
Fax +420 261 090 144
info.cz@wago.com

Denmark
WAGO Danmark
Filial of WAGO Kontakttechnik GmbH & Co. KG
Leirvej 17
3500 Værløse
Phone +45 44 357777
Fax +45 44 357787
salg.dk@wago.com

Ecuador
ECUAINSETEC CIA LTDA
El Zurriago 177 y El Vengador
Quito
Phone +593 2 2 26 91 48
Fax +593 2 2 46 18 33
g.castro@ecuainsetec.com.ec

Egypt
IBN Engineering Instrumentation & Control
71 a El Shaheed Ahmed Hamdi St.
King Faisal, Giza
Phone +20 2 7214350
Fax +20 2 7221709
sales@ibnengineering.com

Estonia
Eltarko OÜ
Laki 14 - 502
10621 Tallinn
Phone +372 651 7731
Fax +372 651 7786
andres@eltarko.ee

Finland
WAGO Kontakttechnik GmbH & Co. KG
Filial i Finland
Vellamonkatu 30 B
00550 Helsinki
Phone +358 9 7744 060
Fax +358 9 7744 0660
tilaus@wago.fi

France
WAGO CONTACT SAS
Paris Nord 2
83 Rue des Chardonnerets
B.P. 55065 - Tremblay en France
95947 - ROISSY CDG CEDEX
Phone +33 1 48172590
Fax +33 1 48632520
info-fr@wago.com

Germany
WAGO Kontakttechnik GmbH & Co. KG
Postfach 28 80, 32385 Minden
Hansastraße 27
32423 Minden
Phone +49 571 887-0
Fax +49 571 887-169
info@wago.com

WAGO Kontakttechnik GmbH & Co. KG
Waldstraße 1
99706 Sondershausen
Phone +49 3632 659-0
Fax +49 3632 659-100
info@wago.com

Great Britain
WAGO Limited
Triton Park, Swift Valley Industrial Estate
RUGBY
Warwickshire, CV21 1SG
Phone +44 1788 568008
Fax +44 1788 568050
uksales@wago.com

Greece
PANAGIOTIS SP. DIMOULAS - BIOMAT
DIMOULAS AUTOMATIONS
Kritis Str. 26
10439 Athen
Tel. +30 210 883 3337
Fax +30 210 883 4436
wago.info@dimoulas.com.gr

Hong Kong
National Concord Eng., Ltd.
Unit A-B, 5/F.
Southeast Industrial Building
611-619 Castle Peak Road
Tsuen Wan, N.T.
Phone +852 24292611
Fax +852 24292164
sales@nce.com.hk

Hungary
WAGO Hungária KFT
Ipari Park, Gyár u. 2
2040 Budapest
Phone +36 23 502-170
Fax +36 23 502-166
info.hu@wago.com

Iceland
S. Gudjonsson ehf.
Audbrekku 9-11
202 Kopavogur
Phone +354 520-4500
Fax +354 520-4501
export@wago.com

India
WAGO & CONTROLS (INDIA) LTD.
C-27, Sector-58, Phase-III
Noida-201 301
Gautam Budh Nagar (U.P)
Phone +91 120 2 580409 10
Fax +91 120 2 580081
info@wagoindia.com

Indonesia
please contact WAGO Singapore

Iraq
please contact WAGO Middle East

Iran
Patsa Industry
No. 2 Bahar St.
South Shiraz Ave
P.O. Box.: 15875-1698
14369 Tehran
Phone +98 21 88047626
Fax +98 21 88040886
info.uae@wago.com

Ireland
Drives & Controls
Unit F4, Riverview Business Park
Nangor Road
Dublin 12
Phone +353 1 4604474
Fax +353 1 4604507
wago@drivesandcontrols.ie

Israel
Comitel Israel Electronic Solutions Ltd.
Bet Hapaamon
20 Hataas Street
P.O. Box 66
44425 Kefar-Saba
Phone +972 9 76 77 240
Fax +972 9 76 77 243
sales@comitel.co.il

Italy
WAGO ELETTRONICA SRL
Via Parini 1
40033 Casalecchio di Reno (BO)
Phone +39 051 6132112
Fax +39 051 6272174
info-ita@wago.com

Japan
WAGO Co. of JAPAN Ltd.
Nittetsu ND-Tower Building 4F
Kameido 1-5-7
Koto-Ku
Tokyo 136-0071
Phone +81 3 5627 2050
Fax +81 3 5627 2055
info-jp@wago.com

Kazakhstan
TOO INTANT
ul. Muratbaeva, d. 61
050026 Almaty
Phone +7 727 2371492
Fax +7 727 2980151
info@intant.kz

TOO TechnikTrade
ul. i. A. Protosanova, 81
070004 Ust-Kamenogorsk
Phone +7 7232 254064
Fax +7 7232 253251
info@technik.kz

Korea
Mahani Electric Co. Ltd.
792-7 Yeoksam-Dong
Kangnam-Gu, 135-080
Seoul, Korea
Phone +82 2 2194 3300
Fax +82 2 2194 3397
export@wago.com

Kosovo
please contact WAGO Bulgaria

Kuwait
Kuwait Controls Company
Al Sour Street, Above Luffhansa Airline
Safat Kuwait 13062
Phone +965 222 54300
Fax +965 224 33698
info.uae@wago.com

Latvia
INSTABALT LATVIA SIA
Vestienas iela 6
Riga, LV-1035
Phone +371 790 1188
Fax +371 790 1180
info@instabalt.lv

Lebanon
Gemayel Trading & Contracting
Antonins Project
P.O. BOX 70-1096
Antelias, Lebanon
Phone +961 4 521 029
Fax +961 4 521 029
gtc.libanon@gmail.com

Lithuania

INSTABALT LIT UAB
Savanorių 187
Vilnius, 2053
Phone +370 52 322 295
Fax +370 52 322 247
info@instabalt.lt

Luxembourg

please contact WAGO Belgium

Macedonia

please contact WAGO Bulgaria

Malaysia

WAGO Representative Office Malaysia
No 806, Block A4, Leisure Commerce Square,
No 9, Jalan PJS 8/9, 46150 Petaling Jaya,
Selangor Darul Ehsan, Malaysia
Phone +60 3 7877 1776
Fax +60 3 7877 2776
kian.guan.tan@wago.com

HPH Materials (M) Sdn Bhd
No. 4, Jalan Nilam 1/6
Suban Hi-Tech Industrial Park
40000 Shah Alam
Selangor, D.E. Malaysia
Phone +60 3 5638 2213
Fax +60 3 5638 8213
info@hphmaterials.com

Setia Raya Teknik Sdn. Bhd.
40 & 42 Jalan SS15/4
Subang Jaya, 47500 PJ.
Selangor D.E. Malaysia
Phone +60 3 5633 5511
Fax +60 3 5633 1411
sales@setiaraya.com.my

Mexico

WAGO SA de CV
Av. Del Marques 38 Bodega 3
P. I. Bernardo Quintana
76240 El Marques, Querétaro
Phone +52 442 221 5946
Fax +52 442 221 5063
Toll-Free: 001-800-309-5975
info.mx@wago.com

Morocco

please contact WAGO France

Netherlands

WAGO Nederland
Laan van de Ram 19
7324 BW Apeldoorn
Phone +31 55 36 83 500
Fax +31 55 36 83 599
info-nl@wago.com

New Zealand

NHP NZ
7 Lockhart Place
Mt Wellington
New Zealand
Phone +64 9 2761967
Fax +64 9 2761992
export@wago.com

Norway

WAGO Norge NUF
Jerikoveien 20
1067 Oslo
Phone +47 22 30 94 50
Fax +47 22 30 94 51
info.no@wago.com

Pakistan

Fuzilogix Automation & Control
Suite No. 14, 5th Floor, Shan Arcade
New Garden Town, Lahore
Pakistan
Phone +92 42 594 1503 - 4
Fax +92 42 585 1431
info@fuzilogix.com

Peru

Desimat Peru
Av. Velasco Astete 2371
Surco Lima
Phone +51 1 2752776
Fax +51 1 2752765
export@wago.com

Philippines

please contact WAGO Singapore

Poland

WAGO ELWAG sp. z o. o.
ul. Piękną 58 a
50-506 Wrocław
Phone +48 71 3602970
Fax +48 71 3602999
wago.elwag@wago.com

Portugal

MORGADO & CA. LDA - SEDE
Estrada Exterior da
Circunvalação 3558/3560
Apartado 1057
4435 Rio Tinto
Phone +351 22 9770600
Fax +351 22 9770699
geral@morgadocl.pt

Republic of Moldova

Electroservice Slavinski T.T.
str. Bolgarcaia 9, office 6
2001 Kishinev
Phone +373 22 274427
Fax +373 22 224481
es@es.mldnet.com

Romania

WAGO Kontakttechnik GmbH & Co. KG
WAGO Representative Office Bucharest
Str. Nicolae G. Caramfil Nr. 26, Bl. 1D, Et. 3, Ap. 7, Sect. 1, OP52
014144-Bucuresti, Romania
Tel. +40-(0)31 421 85 68
Fax +40-(0)21 232 02 31
info-RO@wago.com

VDR & Servicii srl
Str. Valeriu Braniște, nr. 60, ap.1, sector 3
Romania
Phone +40 21 3225074/76
Fax +40 21 3225075
office@componente-automatizari.ro

Russia

OOO WAGO Kontakt Rus
Dmitrovskoe shosse, 157, bldg. 12/5
127411 Moscow
Russia
Phone +7 495 9874790
Fax +7 495 9874791
info.ru@wago.com

WAGO Branch office
Ekaterinburg
Phone +7 343 216 3426

WAGO Branch office
Novosibirsk
Phone +7 383 217 9244

WAGO Branch office
St. Petersburg
Phone +7 812 312 1918

Saudi Arabia

Ali Zaid Al Quraishi & Partners Electrical Services of S.A.
Al Quraishi Center, King Khalid Street
P.O. Box 7386
Dammam - 31462
Phone +966 3 8351155
Fax +966 3 8352297
info.uae@wago.com

Serbia

please contact WAGO Bulgaria

Tagor Electronic doo
Tihomira Brankovica 21
18000 Nis
Tel. +381 18 575545
Fax +381 18 217125
ana.aleksic@tagor.rs

Singapore

WAGO Electronic Pte Ltd
10 Upper Aljunied Link
#04-04 Johnson Controls Building
Singapore 367904
Phone +65 62866776
Fax +65 62842425
info-sing@wago.com

Slovakia

WAGO Elektrik spol. s r. o.
Odborárska 52
83102 Bratislava
Tel. +421 2 4569 2503
export@wago.com

Slovenia

Proelektro spol. s r.o.
Na barine 22
84103 Bratislava Lamač
Tel. +421 2 4569 2503
info@wago.sk

Slovenia

GENERA d.o.o.
Prevale 10
1236 Trzin
Phone +386 14393050
Fax +386 14393090
genera@genera.si

IC elektronika d.o.o.

Vodovodna cesta 100
1000 Ljubljana
Phone +386 15680110
Fax +386 15689107
info@ic-elect.si

South Africa

Shorrock Automation (Pty) Ltd
Postnet Suite # 219
Private Bag X 8, Elardus Park
0047 Pretoria
Phone +27 12 4500300
Fax +27 12 4500322
sales@shorrock.co.za

Spain

DICOMAT S.L.
Avda. de la Industria, 36
Apartado Correos, 1.178
28108 - Alcobendas (Madrid)
Phone +34 91 6621362
Fax +34 91 6610089
info@dicomat.com

Sweden

WAGO Sverige
WAGO Kontakttechnik GmbH
Tyskland Filial
Box 639, 17527 Järfälla
Datavägen 9 A, 17543 Järfälla
Phone +46 858410680
Fax +46 858410699
info.se@wago.com

Switzerland

WAGO CONTACT SA
Rte. de l'Industrie 19
Case Postale 168
1564 Domdidier
Phone +41/26 676 75 86
Fax +41/26 676 75 01
info.switzerland@wago.com

Syria

Zahabi Co.
8/5 Shouhadat St., P.O. Box 8262
Aleppo
Phone +963 21 22 235 / 6
Fax +963 21 24 768
info.uae@wago.com

Taiwan R.O.C.

WAGO Contact, Ltd.
5F., No.168, Jiankang Rd
Zhonghe City
Taipei County 23585, Taiwan
Phone +886 2 22250123
Fax +886 2 22251511
info.taiwan@wago.com

Thailand

WAGO Representative Office Thailand
4th Floor, KS Building
213/6-8 Rachada Phisek Road
Ding Daeng Bangkok 10320
Phone +66 2 6935611
Fax +66 2 6935612
wago@asianet.co.th

US Power Distribution Co., Ltd.
4th Floor K.S. Building
213/6-8 Rachada Phisek Road
Ding Daeng, Bangkok 10400
Phone +66 2 2763040
Fax +66 2 2763049
wago@asianet.co.th

Tunisia

please contact WAGO France

Turkey

WAGO Elektronik Sanayi ve Ticaret Ltd. Şti.
Yukan Dudullu Mahallesi Bayraktar Bulvan
Cad. Hattat Sok. No. 10
34775 Ümraniye - Istanbul
Turkey
Tel. +90 216 472 1133
Fax +90 216 472 9910
info.tr@wago.com

Ukraine

NPP Logicon
Predslavinskaya street, 39, office 303
03150 Kiev
Phone +380 44 5228019
Fax +380 44 2611803
info@logicon.ua

OOO Mikropribor

ul. Kotelnikova, 4
03115 Kiev
Phone +380 44 5369386
Fax +380 44 5369387
sales@micropribor.kiev.ua

United Arab Emirates (UAE)

WAGO Middle East (FZC)
SAIF Zone, Q4-282
P.O. Box: 120665
Sharjah, UAE
Phone +971 6 5579920
Fax +971 6 5579921
info.uae@wago.com

USA

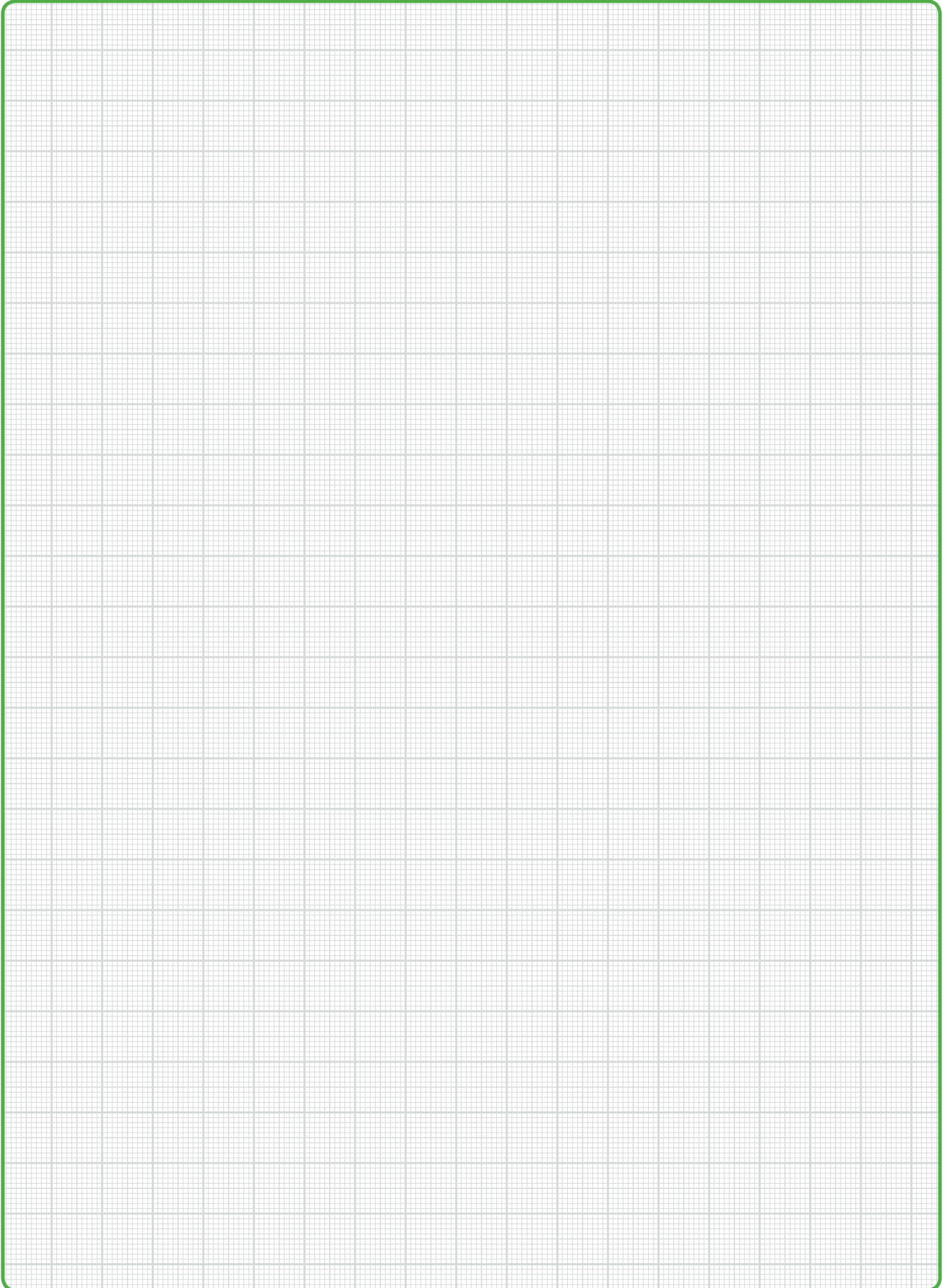
WAGO Corporation
N120 W19129 Freistadt Road
Germantown, WI 53022
Phone +1 262 255 6222
Fax +1 262 255 3232
Toll-Free: 1-800 DIN Rail (346-7245)
info.us@wago.com

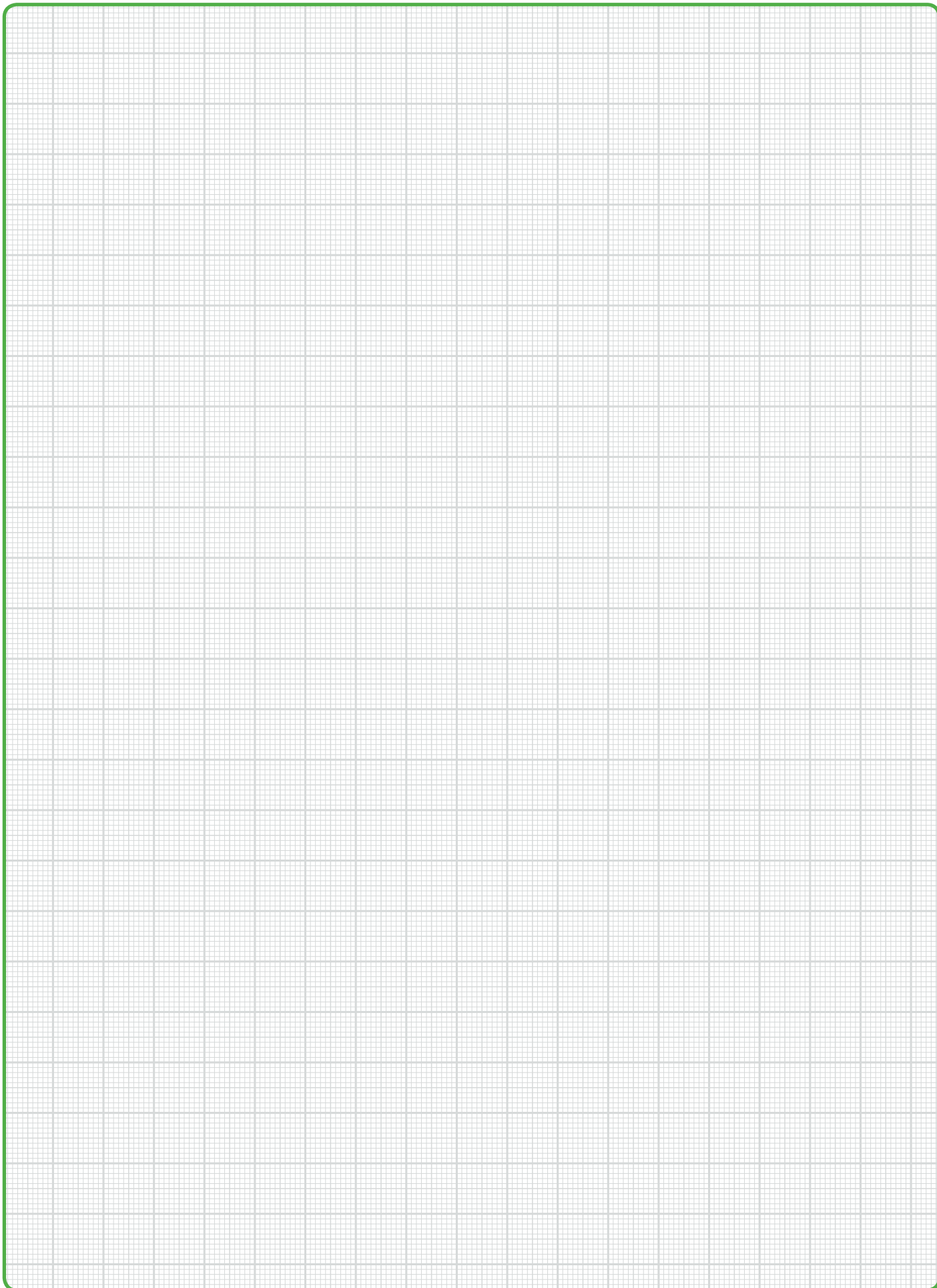
Venezuela

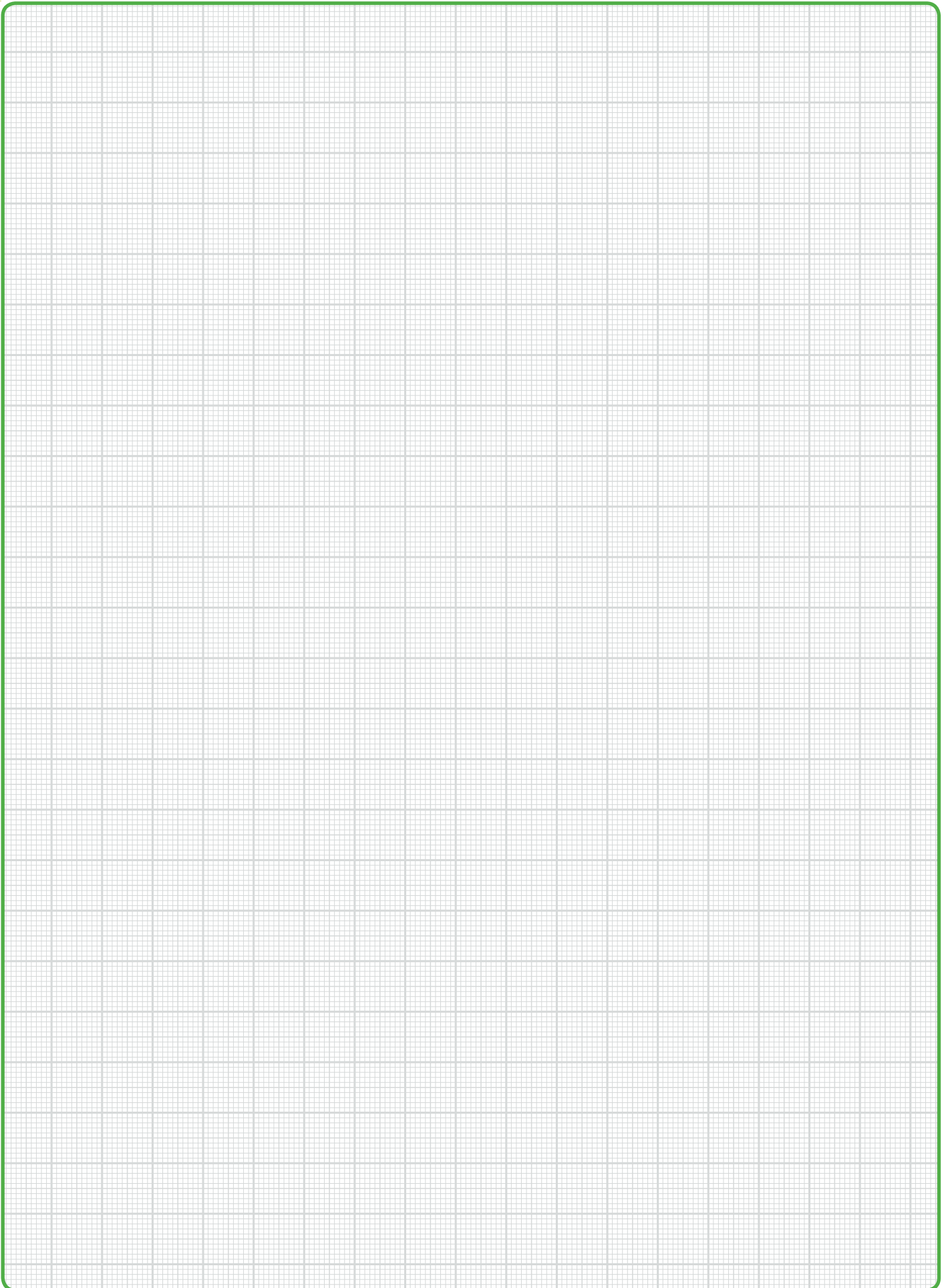
PETROBORNAS, C.A.
C.C. PLAZA AEROPUERTO - PISO 1 - LOCAL P1 - B - 03
(8015) UNARE - PUERTO ORDAZ - ESTADO BÓLIVAR
REPÚBLICA BOLIVARIANA DE VENEZUELA
Tel. +58 286 951 3382
Fax +58 286 951 3382
info@petrobornas.com

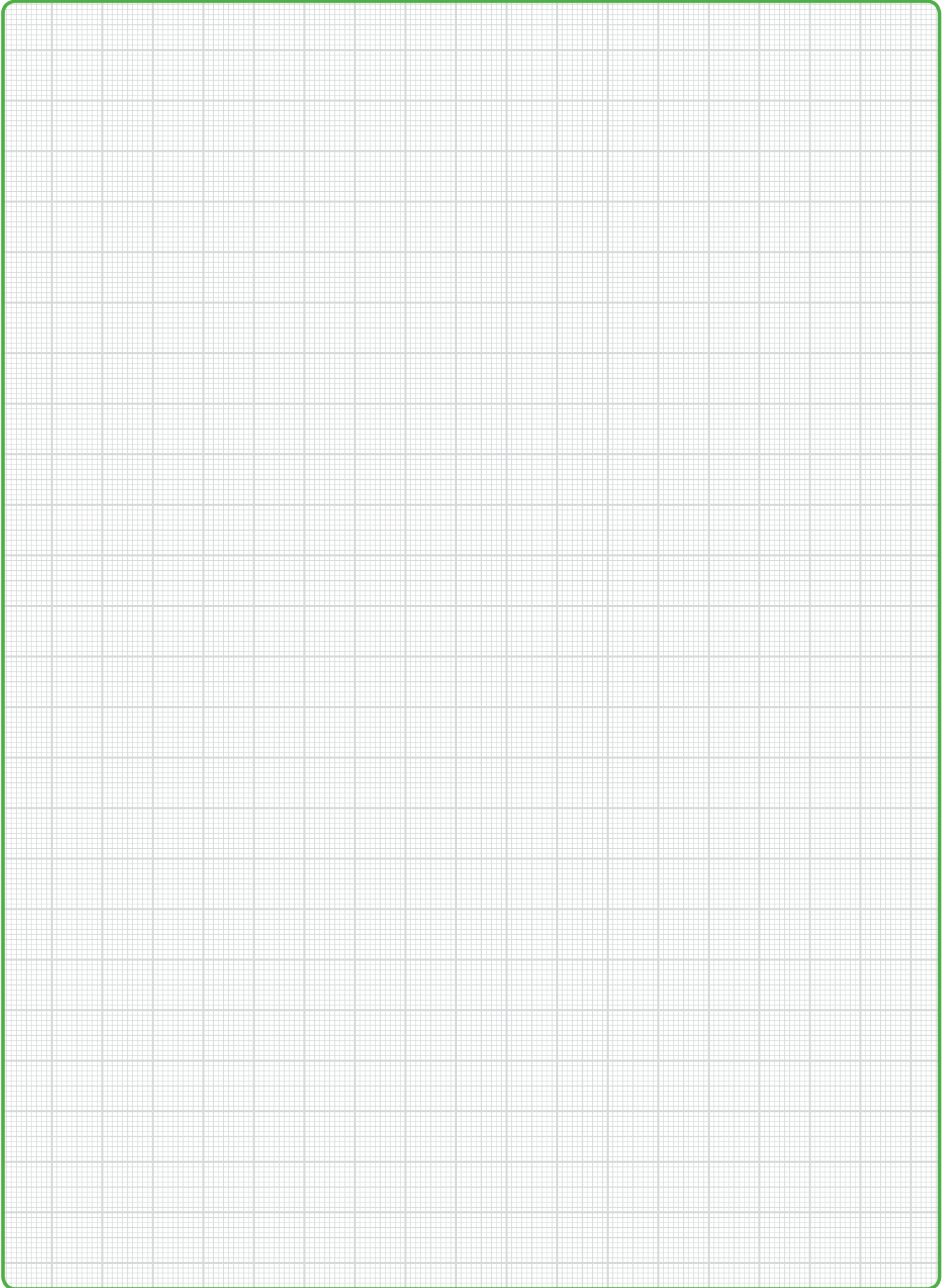
Vietnam

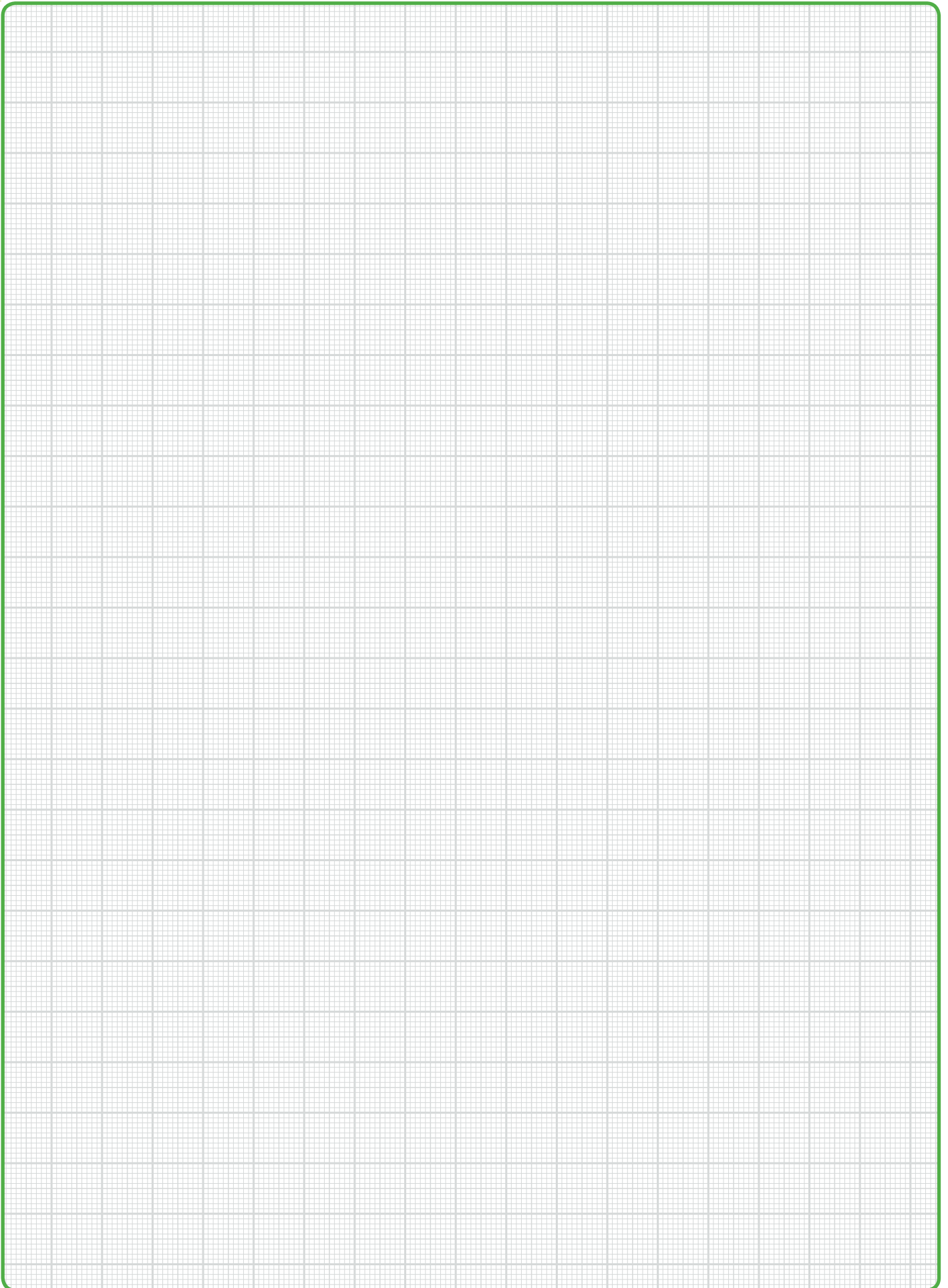
please contact WAGO Germany (Minden)

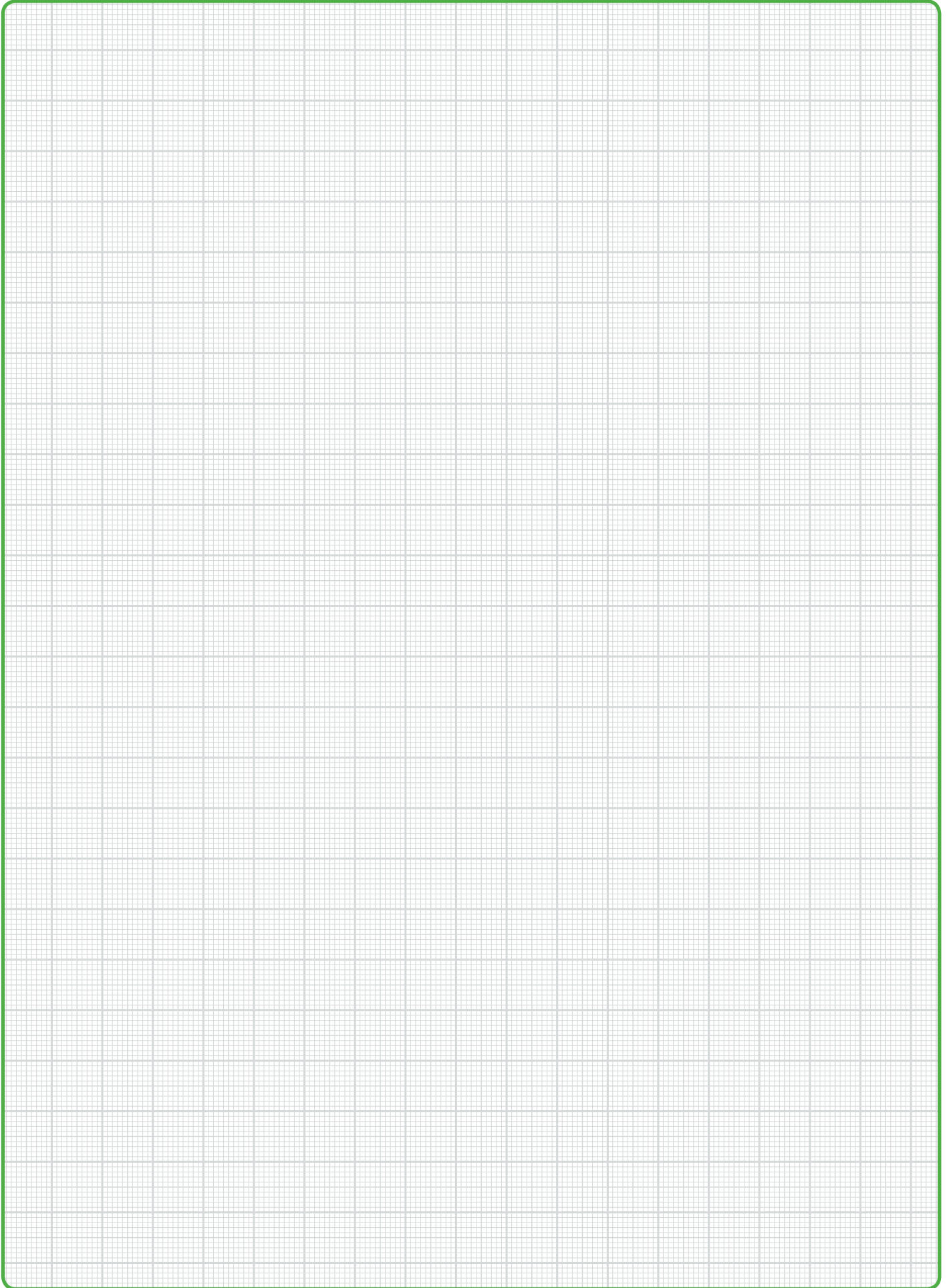














More information on *picoMAX*[®] in the video or at www.picomax.info

WAGO Kontakttechnik GmbH & Co. KG
Postfach 2880 · 32385 Minden
Hansastraße 27 · 32423 Minden

Phone:
Headquarters +49 (0)571/887 - 0
Sales +49 (0)571/887 - 222
Order Service +49 (0)571/887 - 333
Fax: +49 (0)571/887 - 169
E-mail: info@wago.com
Online: www.wago.com

