



Volumetric Filling machine
Model *Packmaster II*
BlueFill line for viscous liquids & creams.

Model *Packmaster II*

Volumetric BlueFill Filling machine for viscous liquids & creams.



Description:

This filling machine is highly flexible and suitable for filling viscous liquids and creams in smaller volumes.

The filling machine can be operated by a foot pedal or controlled by an external signal.

A container can manually be placed under the filling nozzle or the filling machine can be set above a conveyor and the container may intermittently be filled one at a time.

Two or more Pack Master filling machine can be set up one after each other and a gating system can be provided.

The filling machine can be supplied with a dosing volumen for max. 300 ml or 500 ml. However, the filling machine can pump one or more times in a row and the filling nottles is available in size 6-8-10-12 mm or as tube if desired.

The Packmaster II can suck the liquid directly from the tanks to be supplied separately to the customer's specifications.

Extremely robust and accurate manufactured in Stainless steel and reliable electrical design.

The Packmaster II can be delivered in an ATEX version.



Highly Flexible Filling machines for viscous products.

The *Packmaster II* can either be delivered with a 300 ml or a 500 ml volumetric pump, which can fill maximum 38 strokes/minut.

Easy Cleaning
Easy Handling
Easy Connection

Machine dimentions: W 455 x L 330 mm.

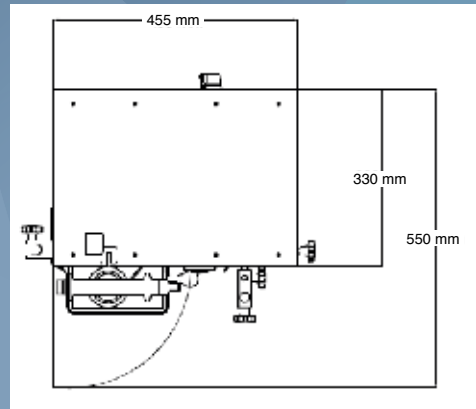
Connection: 230 V 50 Hz. 200 W.

Weight: Nett. 30 kg.

The *Packmaster II* is delivered with a food approval certificate.

Options:

- Floor Frame
- Hopper for cream
- Connection hoses
- Atex version
- Capping machine
- Labelling machine
- Checkweighers
- Controls systems
- Conveyor
- Gating system



Packmaster II foot print

Directives & Standards:

In accordance with the following Directives:

- | | |
|-----------|---|
| 06/42/EC | The Machinery Directive |
| 04/108/EC | The Electromagnetic Compatibility Directive |
| 06/95/EC | The Low Voltage Directive |

Has been designed and manufactured to the following specifications:

- 12100-1:2005 Basic terminology, methodology.
- EN ISO 12100-2:2005 Technical principles.
- EN ISO 13857 Safety of machinery. Risk assessment.



EB Teknik Borup A/S is a modern engineering company, in addition to the traditional work, we also manufactures and sell special machines and process automation equipment from leading suppliers within the Pharmaceutical, Food and Chem-Tech industry in EMEAA.
(Europe, Middle East, Africa and Asia)

We develop sustainable solutions in close dialogue with customers and our equipment is recorded in 3D and reviewed before production/installation. A combination of different agencies and own production enables us to supply process equipment that meets customer requirements.

Additionally, we offer service contracts on new and used machinery and refurbishment and update of equipment.

We are specialist in materials such as titanium, teflon, all kind of stainless steel and has State of the art CNC machinery which enables us to produce high-quality parts.

Agent:

EB Teknik Borup A/S . Bækgårdsvej 47 . DK-4140 Borup
info@ebteknik.dk . Tel.: +45 57 52 70 70 . Fax.: +45 57 52 60 80
www.ebteknik.dk