



PRODUCT LIST 2022

valid from 1st January 2022

Copyright notice: The content of this price list, in particular texts (also price quotations and price components), photographs and graphics, are protected by copyright. Unless expressly indicated otherwise, the copyright is held by Gebr. GmbH + Co KG.

Duplication, passing on or publication of any kind is not permitted without our express written permission. Anyone who infringes copyright (e.g. copies the contents onto his own homepage without permission) is liable to prosecution under § 106 ff of the Copyright Act. He will also be liable to pay a fee and must pay damages. Copies of contents can be pursued on the Internet without great effort on the Internet.

Gebr. Kemper GmbH + Co. KG, October 2021


KEMPER
DRIVING PROGRESS

MILLIONS OF GERMS

build up in drinking water which is not used often enough.


OR DO THEY!



KEMPER

DRIVING PROGRESS

www.kemper-olpe/oc/drinking-water-hygiene

1	Stop valves	<ul style="list-style-type: none"> • stop valves with flange connection • ECO-COMPACT stop valve • WESER, ECO, STANDARD and Stainless steel stop valves • quarter turn stop valves 	STOP VALVES	
2	Protection and safety valves	<ul style="list-style-type: none"> • Check valves and combined stop and check valves • FK-4 and PROTECT RPZ backflow preventers BA • FK-5 break tank station • RPZ Backflow preventers type CA and combi filling valve for heating systems • Leak detection systems and safety groups 	SAFETY VALVES	
3	Pressure reducing valves and filter	<ul style="list-style-type: none"> • Pressure reducing valve • Filter • Pressure reducing valve-filter combinations 	PRVs / FILTER	
4	Balancing valves and Thermal separator	<ul style="list-style-type: none"> • MULTI-THERM thermostatic balancing valves • ETA-THERM thermostatic balancing valves, surface and flush-mounted • MULTI-FIX-PLUS static balancing valves • Stainless steel throttle valves • thermal separator 	REGULATING VALVES	
5	Measuring valves	<ul style="list-style-type: none"> • CONTROL PLUS flow and temperature measurement valve • MULTI-T adapter • potable measuring instrument, measuring module • Pressure sensor • Temperature sensor 	MEASURING VALVES	
6	Sampling valves	<ul style="list-style-type: none"> • Sampling valves made of gunmetal and stainless steel • Sampling valves for connection to angle stop valves 	SAMPLING VALVES	
7	Flush-mounted valves	<ul style="list-style-type: none"> • UP-PLUS flush-mounted valves made of gunmetal and stainless steel • angled stop valves • UP quarter turn stop valve for flush-mounted installation 	CONCEALED VALVES	
8	Stop valves and metering combinations	<ul style="list-style-type: none"> • RG120 and CLASSIC stop valve water meter combinations • RG120-DUO and ECO-DUO stop valve water meter mounting blocks • Stop valve water meter box • CLASSIC DUO-PLUS stop valve water meter combination 	WATER METER	
9	FROSTI® frost-proof outdoor valves	<ul style="list-style-type: none"> • FROSTI® and FROSTI®-PLUS frost-proof outdoor valves • device connection valve 	OUTDOOR TAP	
10	TRESOR wall cabinets	<ul style="list-style-type: none"> • TRESOR and MINI-TRESOR built-in wall cabinets • TRESOR and MINI-TRESOR surface-mounted wall cabinets 	TRESOR	
11	Other valves	<ul style="list-style-type: none"> • Fire-extinguishing valves • Drain valves and ball valves • Dirt trap • Straight seat stop valves • Gate valve 	OTHER	
12	Hygiene System KHS		<ul style="list-style-type: none"> • KHS flow splitter • KHS CoolFlow cold water circulation • KHS Hygiene Flush Box and KHS flushing groups • KHS control systems and KHS flushing components 	KHS
13	accessories	<ul style="list-style-type: none"> • Flanges • Union connections • Insulation shells • Other accessories 	ACCESSORIES	
14	Spare parts	<ul style="list-style-type: none"> • FROSTI®, KHS HS2® hygiene flushing box and KTS exploded views • UP-PLUS concealed valves (production from 1998) • PROTECT/FK-4 RPZ backflow preventer • Bonnets, inserts, drain valves, handwheels, gaskets 	SPARE PARTS	

Austria Kemper Österreich GmbH

Sales Manager

Leo Döller

Mobil +43 664 4661386
LDoeller@kemper-olpe.de

Areas:
Wien, Niederösterreich, Burgenland

Mario Tamegger

Mobil +43 664 5302760
MTamegger@kemper-olpe.de

Areas:
Salzburg, Tirol, Vorarlberg

Wolfgang Torghelle

Mobil +43 664 9140257
WTorghelle@kemper-olpe.de

Areas:
Oberösterreich, Steiermark, Kärnten

Switzerland Kemper Schweiz AG

Office
Bösch 65
6331 Hünenberg

Sales Manager

Heinz Arnold

Mobil +41 791941846
HArnold@kemper-olpe.de

Francesco Folda

Mobil +41 792270709
FFolda@kemper-olpe.de

Kerstine Kohler

Mobil +41 794340544
KKohler@kemper-olpe.de

Luxembourg

Office
Harkortstraße 5
57462 Olpe

Sales Manager

Michael Wurm

Mobil +49 1716750661
MWurm@kemper-olpe.de

Jürgen Weinheimer

Mobil +49 15111444775
JWeinheimer@kemper-olpe.de

Belgium, Netherlands Kemper Nederland B.V.

Office
Boeingavenue 309C
1119 PD Schiphol-Rijk
Tel. +31 850044362
Mail: info@kemper-appendages.nl

Sales Manager

Richard de Vries

Mobil +31 682811863
RdeVries@kemper-olpe.de

Bernard Becking

Mobil +31 683621189
BBecking@kemper-olpe.de

Czech Republic

Sales Manager

Radek Weiss

Mobil +420 608108007
RWeiss@kemper-armatury.cz

Dalibor Hon

Mobil +420 602481645
DHon@kemper-armatury.cz

Great Britain, Ireland Gebr. Kemper UK & Ireland Limited

Office
2 Ripple Court
Brockridge Business Park
Twynning / Tewkesbury
Gloucestershire, GL20 6FG
Great Britain
Tel. +44 1684854932
Fax +44 1684854931

Sales Manager

Chris Rhodes

Mobil +44 7764859888
CRhodes@kemper-uk.com

Singapore Kemper Asia Pacific Trading LLP

Office
4 Battery Road #25-01
Bank of China Building
Singapore 049908

Sales Manager

Raymond Yang

Mobil +65 96311748
rayyang@kemper-metals.sg

USA Kemper Water Control Systems, Inc.

Office
518 County Road 513 Suite B
Califon, NJ 07830
USA

Sales Manager

Craig Boyce

Mobil +1 239 298 9273
Craig.Boyce@KemperWaterControl.com

Scandinavia Kemper Danmark ApS

Office
Blokken 26
DK-3460 Birkerød

Sales Manager

Claus Dennis Jønsson

Mobil +45 2727 2505
clausdennis@kemper-group.com

Palle Jespersen

Mobil +45 21326757
PJespersen@kemper-group.com



Indoor Service Team Export

Judith Frohne
Tel. +49 2761 891-243
JFrohne@kemper-olpe.de

Hanna Menne
Tel. +49 2761 891-128
HMenne@kemper-olpe.de

Abbreviations

PG 1	pricegroup 1 (valves)	DN	nominal diameter
PG 2	pricegroup 2 (KEMPER Hygiene System KHS)	Rp	internal parallel pipe thread
		G	parallel thread acc. ISO 228
		R	external taper pipe thread
PG 3	pricegroup 3 (KEMPER ThermoSystem KTS)	EUR	grossprice in EUR
PG 99	pricegroup 99 (service)		

Information about replacement products

Figure	replaced by	Figure	replaced by	Figure	replaced by
040 OG	140 OG	173 31	173 2G + 2 x 476 30 + J7109 173 00	524 02	560 06 + 591 00
041 OG DN 20	141 OG DN 20	173 35	173 2G + 2 x 476 35	525 00	560 01 + 590 00
041 OG DN 25	141 OG DN 25	173 36	173 2G + 2 x 476 35 + J7109 173 00	525 02	560 01 + 591 00
052 00	056 00 + 590 00	173 40	173 2G + 2 x 476 40	542 62	540 62
052 02	056 00 + 591 00	173 41	173 2G + 2 x 476 40 + J7109 173 00	544 62	540 62
052 10	056 10 + 590 00	173 70	173 2G + 2 x 476 70	545 02	540 02
052 12	056 10 + 591 00	173 71	173 2G + 2 x 476 70 + J7109 173 00	545 62	540 62
053	041 OG/140 OG	174 OG	174 2G	550 00	550 01
054	041 OG/141 OG	174 1G	174 2G + J7109 173 00	560 02	560 01
056 00	560 22	178 OG	150 6G	560 05	560 22
056 10	560 01	178 1G	150 6G + J7109 173 00	560 09	560 01
062 00	060 01	190 01	190 02 + J7109 173 00	560 10	560 01
062 01	060 01	190 23	190 22 + J7109 173 00	561 01	560 01 + E0109 561 00
062 OG	060 1G	190 31	190 30 + J7109 173 00	573	574
062 1G	060 1G	190 35	173 2G + 2 x 476 35	575	574
078 00	078 OG + 2 x 476 20	190 35	190 02	576	577
078 01	078 1G + 2 x 476 20	190 36	173 2G + 2 x 476 35 + J7109 173 00	585 22	585 00
123 01	122 01	190 36	190 02 + J7109 173 00	585 40	585 00
123 01	135 01/02	190 41	190 40 + J7109 173 00	596 01	596 11
129 OG	128 OG + 101 06	191 00	191 02	596 02	596 12
131 35	130 OG + 2 x 476 35	191 01	191 02 + J7109 173 00	596 03	596 16
131 35	131 00	193 00	193 02	596 04	596 17
131 40	130 OG + 2 x 476 40	193 01	193 02 + J7109 173 00	596 05	596 15
131 40	131 00	193 22	145 2G + 2 x 476 22	596 06	596 16
137 01	137 02	193 22	193 02	596 07	596 17
138 OG	138 4G	193 23	145 2G + 2 x 476 22 + J7109 173 00	629 OG	628 OG + 101 06
139 OG	138 4G + 101 06	193 23	193 02 + J7109 173 00	638 00	138 4G
142 22	140 OG + 2 x 476 22	193 30	145 2G + 2 x 476 30	638 4G	138 4G
142 40	140 OG + 2 x 476 40	193 30	193 02	638 6G	138 6G
142 40	143 40	193 31	145 2G + 2 x 476 30 + J7109 173 00	640	650
145 OG	145 2G	193 31	193 02 + J7109 173 00	686 02 005	686 02 008
145 1G	145 2G + J7109 173 00	195 00	195 02	686 03 001	689 03 001
146	145	195 01	195 02 + J7109 173 00	686 03 002	689 03 002
150 OG	150 6G	195 22	158 1G + 2 x 476 22	686 03 007	689 03 001
150 1G	150 6G + J7109 173 00	195 22	195 02	686 03 008	689 03 002
150 2G	150 6G	195 23	158 1G + 2 x 476 22 + J7109 173 00	686 06	686 02 012 + 686 04
150 4G	150 6G	195 23	195 02 + J7109 173 00	686 07	686 02 012 + 686 05
150 5G	150 6G + J7109 173 00	195 30	158 1G + 2 x 476 30	686 08	686 02 012 + 686 04
151 00	151 06	195 30	195 02	686 09	686 02 012 + 686 05
151 01	151 06 + J7109 173 00	195 31	158 1G + 2 x 476 30 + J7109 173 00	685 09	686 02 012 + 685 15
151 02	151 06	195 31	195 02 + J7109 173 00	687	697
151 04	151 06	196	195 02	696 00	686 00 + 697 01
151 05	151 06 + J7109 173 00	361 00	361 01	696 01	686 01 + 697 01
153	140 OG	362 OG	362 2G	696 04	686 04 + 697 01
154	141 OG	364	365 OG	696 05	686 05 + 697 01
155	145 2G	366	360 OG	696 08	686 02 012 + 686 04
156	140 OG	367 02	368 02	696 09	686 02 012 + 686 05
157	141 OG	385 22	385 00	696 09	686 02 012 + 686 05 + 697 01
159 1G	158 1G + 101 06	385 22	386 OG + 2 x 476 22	854 01	854 07
162	160	385 40	385 00	855 41	855 47
164 01	164 02	385 40	386 OG + 2 x 476 40	855 41	854 07
167	145/160	520 00	560 01 + 590 00	855 42	855 47
169	158/160	520 02	560 01 + 591 00	855 42	854 02
173 OG	173 2G	521 00	560 01 + E0109 561 00 + 590 00	855 45	855 47
173 1G	173 2G + J7109 173 00	521 02	560 01 + E0109 561 00 + 591 00	855 45	854 05
173 20	173 2G + 2 x 476 20	522 00	560 22 + 590 00	856	854
173 21	173 2G + 2 x 476 20 + J7109 173 00	522 02	560 22 + 591 00	857	854
173 22	173 2G + 2 x 476 22	523 00	560 22 + 590 00	955 03 020	955 03 010
173 23	173 2G + 2 x 476 22 + J7109 173 00	523 02	560 22 + 591 00	J8109 150 02	J7109 150 00 006
173 30	173 2G + 2 x 476 30	524 00	560 06 + 590 00		

figure no.	page	figure no.	page	figure no.	page	figure no.	page
041 OG	43	171 22	17	369 00	33	574 00 002	124
060 01	27	171 30	18	369 01	113	574 00 005	124
060 1G	27	173 2G	10	369 02	113	574 00 006	125
073 00	22	174 2G	19	369 03	113	574 03	68
073 01	22	183 02	76	369 04	113	574 05	69
073 0G	21	185 01	75	369 27	113	575 00 003	124
073 1G	21	185 03	75	385 00 001	128	575 01 003	125
078 0G	51	185 07	75	385 00	20	575 02 003	124
078 1G	51	185 09	75	386 0G	20	577 12	125
087 00	57	187 99 002	144	410 00	101	577 02	69
101 06	107	187 00	57	425 00	101	577 09	70
112 00	73	188 99 001	144	426 00	102	585 00	60
112 01	73	188 99 002	144	428 00	102	588 00	145
112 02	73	188 00	58	429 M	102	589 00	145
112 03	73	188 01	58	471 27	109	590 03 001	150
119 00	74	190 00	11	471 28	109	590 00	149
122 01	9	190 02	11	471 10	108	590 00	119
128 0G	55	190 22	12	471 11	108	591 01 015	141
130 0G	45	190 30	14	471 14	108	591 00	119
131 00	45	190 40	13	471 16	110	591 00	149
134 0G	48	191 02	19	471 17	110	596 11	121
135 01	8	193 02	26	471 18	123	596 12	121
135 02	8	195 02	24	471 18	110	596 15	121
136 00	48	200 00	77	471 19	109	596 16	121
137 02	25	210 99 002	156	471 24	109	596 17	121
138 00 002	55	210 99 003	156	471 26	108	597 00	119
138 00 003	56	210 01	71	476 32	107	598 00 035	145
138 00 004	56	211 01	72	476 99 001	168	598 00 130	146
138 00 006	55	212 01	72	476 04	103	598 00 065	146
138 00 011	56	213 01	72	476 06	103	598 02 065	146
138 00 012	54	214 01	71	476 07	104	599 00	120
138 00 016	56	351 00	76	476 08	104	602 00	77
138 4G	99	360 00	130	476 12	103	605 00	77
138 4G	53	366 00	130	476 14	104	610 01	82
138 4G 1	143	360 02	131	476 20	106	611 00	117
138 6G	54	366 02	131	476 22	105	612 01	160
138 6G	100	367 02 001	131	476 30	105	612 02	160
138 6G 1	143	360 0G	29	476 35	105	612 03	160
140 0G	44	360 99	112	476 40	106	612 04	160
141 0G	41	361 01	29	476 70	106	612 07	160
142 00	44	362 2G	28	540 02	46	612 08	161
143 00	41	365 0G	32	540 62	49	615 00	159
143 22	42	367 09 001	131	542 02	46	615 0G	82
143 40	42	367 01	30	544 02	47	616 00	159
145 2G	25	367 01 025	30	550 01	52	616 0G	83
150 6G	50	367 01 050	31	560 01	59	618 01	83
151 06	50	367 05 001	112	560 06	60	619 01 001	117
158 1G	23	367 06	112	560 22	59	619 02 000	117
160 2G	26	367 07	112	560 31	61	620 00	34
164 02	23	368 00 001	131	563 02	61	620 00 001	112
170 2G	15	368 03 001	132	574 00	68	620 01	35
171 02	16	368 02	31	574 00 001	124	628 0G	90

figure no.	page	figure no.	page	figure no.	page
640 50	81	689 06 002	116	E0101 162 00	129
650 00	78	689 4G 001	116	E0101 170 00	127
650 02	80	689 99 001	117	E0105 153 00 020	150
650 06	79	697	98	E0105 174 00	127
650 20	80	700 0G	138	E0109 140 00 003	140
684 00	91	710 01	137	E0109 145 02	130
684 01	91	710 02	138	E0109 367 01 020	131
684 04	92	710 00	137	E0109 367 01 025	132
684 05	92	710 0G	38	E0109 540 01	141
684 10 001	159	711 00	38	E0109 850 01 015	150
686 00 001/002	157	712 0G	39	E0109 854 00 020	150
686 00 003/004	157	712 99 004	114	E0109 135 02	126
686 00 005/006	157	713 00	137	E0109 140 00	140
686 00 007/008	158	713 0G	40	E0109 141 00	140
686 02 012	94	714 0G	36	E0109 150 02	141
686 02 020	158	715 0G	36	E0109 173 02	126
686 02 022	158	716 0G	37	E0109 386 00	127
686 02 023	118	853 07	63	E0109 540 00	141
686 02 024	118	854 02	63	E0109 540 02	141
686 0G	158	854 05	62	E0109 560 01	148
686 00	96	854 07	62	E0109 561 00	148
686 01	96	855 00 001	122	E0109 580 00	146
686 01 001	118	855 00 002	122	E0109 582 00	146
686 02 003	95	855 27 020	66	E0120 041 01	140
686 02 006	94	855 27 120	66	E0120 056 00	148
686 02 008	93	855 27 220	65	E0120 060 00	129
686 04	97	855 47	65	E0120 073 02	127
686 05	97	860 00 015	119	E0120 078 00	142
688 00 001	159	860 05	61	E0120 686 00	157
688 01 001	158	867 27	64	E2120 210 03	156
688 02 001	159	870 00 002	123	E3120 602 00	165
688 00	98	870 00 004	122	E3120 605 00	165
689 03 005	85	870 00 006	122	G0100	168
689 03 006	86	870 00 008	122	J6109 473 00	111
689 03 007	84	870 07	64	J7109 150 00	115
689 03 008	85	885 27 020	67	J7109 150 00	111
689 03 009	86	99 3590	118	J7109 170 00	111
689 03 010	87	999 00	168	J7109 173 00	111
689 04 012	161	B5100 187 03 001	144	J7120 073 00	111
689 04 019	116	B5105 500 00 001	145	L0100 560 00	149
689 04 020	161	B5105 500 00 002	145	M9100 173 00	168
689 04 022	161	B5105 500 00 005	125	P0100 560 00	148
689 04 023	161	B5120 599 00	147	P0100 562 00	148
689 04 024	162	B5120 500 00	147	P4100 158 00	130
689 07 001	116	B9100 173 08	166	T5100 140 00	115
689 00	90	B9100 173 14	166	T5100 140 00	54
689 03 001	87	C3100 173 07	167	T5100 150 00	115
689 03 002	88	C3100 476 07	167	T5100 700 00 001	137
689 03 003	88	D7100 362 02 001	132	T5100 700 00 001	114
689 03 004	89	E0101 183 02	126	T5100 700 00 002	137
689 05 001	117	E0101 367 01 050	132	T5100 700 00 002	114
689 06 001	116	E0101 160 01	129	Z0100 140 00 001	140



stop valve, flanged, figure 135 01

wetted metal parts made from dezincification-free and corrosion-resistant gunmetal, resistant against aggressive water, 10 year warranty, maintenance-free shaft sealing with self-lubricating EPDM lip gasket, replaceable under pressure up to DN 80, EPDM-seat gasket, cone rotatable, protected against water hammer, flange connection, without drain port (drain valve cannot be added), spindle thread not in contact with medium, with a black handwheel, free from dead spots, Open position indicator, DVGW approval up to DN 80, WRAS approval, KIWA approval up to DN 100, VA approval, plastic parts with KTW and W 270 approval, according to accepted materials list from German environmental agency, up to DN 32 soundproofing certification according to DIN EN ISO 3822 Class 1, DIN EN 1213/DIN EN 558-1, ÚA-Reg.-Nr. R-15.2.3-21-17048, WIEN-ZERT, pressure rating PN 16, max. operating temperature 110 °C

part no.	DN	length (mm)	shipping weight (kg)		
1350102500	25	160	2.65		
1350103200	32	180	4.07		
1350104000	40	200	4.97		
1350105000	50	230	6.44		
1350106500	65	290	9.80		
1350108000	80	310	12.15		
1350110000	100	350	19.25		

accessories

flanges, gasket and bolts

page

from 97



stop valve, with drain valve, flanged, figure 135 02

wetted metal parts made from dezincification-free and corrosion-resistant gunmetal, resistant against aggressive water, 10 year warranty, maintenance-free shaft sealing with self-lubricating EPDM lip gasket, replaceable under pressure up to DN 80, EPDM-seat gasket, cone rotatable, protected against water hammer, flange connection, with sidewise drain valve, rotatable hose connection element G 3/4, spindle thread not in contact with medium, with a black handwheel, free from dead spots, Open position indicator, DVGW approval up to DN 80, WRAS approval, KIWA approval up to DN 100, VA approval, plastic parts with KTW and W 270 approval, according to accepted materials list from German environmental agency, up to DN 32 soundproofing certification according to DIN EN ISO 3822 Class 1, DIN EN 1213/DIN EN 558-1, ÚA-Reg.-Nr. R-15.2.3-21-17048, WIEN-ZERT, pressure rating PN 16, max. operating temperature 110 °C

part no.	DN	length (mm)	shipping weight (kg)		
1350202500	25	160	2.72		
1350203200	32	180	4.20		
1350204000	40	200	5.05		
1350205000	50	230	6.56		
1350206500	65	290	9.88		
1350208000	80	310	12.21		
1350210000	100	350	19.33		
1350212500	125	400	35.52		
1350215000	150	480	51.00		

accessories

gunmetal sampling valve, figure 187 00

extension element for drain valve DN 8, figure J6109 473 00

flanges, gasket and bolts

page

54

107

from 97




ECO-COMPACT stop valve, flanged, figure 122 01

wetted metal parts made from dezincification-free and corrosion-resistant gunmetal, resistant against aggressive water, with stroke arrester and protected, internal stroke limitation, light weight, short installation length as per DIN EN 558, maintenance-free shaft sealing with EPDM profile ring, EPDM coated and compact throttle cone, globe valve with angle seat hydraulics, flange connection, non-rotating spindle made of stainless steel, with handwheel, free from dead spots, DVGW approval up to DN 100, SVGW approval up to DN 100, VA approval up to DN 100, plastic parts with KTW and W 270 approval, according to accepted materials list from German environmental agency, DIN EN 1092/DIN EN 1213/DIN EN 558-1, ÜA-Reg.-Nr. R-15.2.3-21-17048, WIEN-ZERT, drilling template PN 6, 10 and 16, max. operating temperature 120 °C,

note: for installation between two flanges

part no.	DN	length (mm)	shipping weight (kg)		
1220105000	50	50	2.76		
1220106500	65	65	4.89		
1220108000	80	80	6.74		
1220110000	100	100	10.85		
1220115000	150	150	23.44		

accessories	page
flanges, gasket and bolts	from 97



WESER stop valve, with plugged drain port, union thread, figure 173 2G

wetted metal parts made from dezincification-free and corrosion-resistant gunmetal, resistant against aggressive water, 10 year warranty, maintenance-free spindle sealing with self-lubricating and under pressure replaceable EPDM-lip gasket, EPDM-seat gasket, cone rotatable, protected against water hammer, male union thread, with plugged drain port, Pt1000 temperature sensor or thermometer can be added using immersion sleeve, spindle thread not in contact with medium, wear-resistant valve seat made of stainless steel up to DN 50, with a black handwheel, free from dead spots, Open position indicator, DVGW approval, ÖVGW approval, SVGW approval, WRAS approval, KIWA approval, VA approval, plastic parts with KTW and W 270 approval, according to accepted materials list from German environmental agency, up to DN 32 soundproofing certification according to DIN EN ISO 3822 Class 1, DIN EN 1213, ÜA-Reg.-Nr. R-15.2.3-21-17048, WIEN-ZERT, pressure rating PN 16, max. operating temperature 110 °C

part no.	DN	connection	length (mm)	shipping weight (kg)		
1732G01500	15	G 3/4	70	0.40		
1732G02000	20	G 1	78.5	0.51		
1732G02500	25	G 1 1/4	97	0.81		
1732G03200	32	G 1 1/2	110	1.14		
1732G04000	40	G 1 3/4	130	1.48		
1732G05000	50	G 2 3/8	145	2.31		
1732G06500	65	G 3	190	4.01		
1732G08000	80	G 3 1/2	215	5.28		

accessories	page
drain valve made of gunmetal/plastic, figure J7109 173 00	107
insulation shell for inclined stop valves, figure 471 10	104
gunmetal sampling valve, figure 187 00	54
extension element for drain valve DN 8, figure J6109 473 00	107
axial drain valve and immersion sleeve, figure J7109 150 00	111
Pt 1000 temperature sensor, figure T5100 140 00	111
dial thermometer, figure T5100 150 00	111
union connections	from 99



WESER stop valve, with plugged drain port, FPT, figure 190 02

wetted metal parts made from dezincification-free and corrosion-resistant gunmetal, resistant against aggressive water, 10 year warranty, maintenance-free spindle sealing with self-lubricating and under pressure replaceable EPDM-lip gasket, EPDM-seat gasket, cone rotatable, protected against water hammer, female pipe thread, with plugged drain port, Pt1000 temperature sensor or thermometer can be added using immersion sleeve, spindle thread not in contact with medium, wear-resistant stainless steel valve seat, with a black handwheel, free from dead spots, Open position indicator, DVGW approval, ÖVGW approval, SVGW approval, WRAS approval, KIWA approval, VA approval, plastic parts with KTW and W 270 approval, according to accepted materials list from German environmental agency, up to DN 32 soundproofing certification according to DIN EN ISO 3822 Class 1, DIN EN 1213, ÜA-Reg.-Nr. R-15.2.3-21-17048, WIEN-ZERT, pressure rating PN 16, max. operating temperature 110 °C

part no.	DN	female thread	length (mm)	shipping weight (kg)		
1900201500	15	Rp 1/2	65	0.43		
1900202000	20	Rp 3/4	75	0.52		
1900202500	25	Rp 1	90	0.83		
1900203200	32	Rp 1 1/4	110	1.23		
1900204000	40	Rp 1 1/2	120	1.50		
1900205000	50	Rp 2	150	2.41		

accessories

	page
drain valve made of gunmetal/plastic, figure J7109 173 00	107
insulation shell for inclined stop valves, figure 471 10	104
gunmetal sampling valve, figure 187 00	54
extension element for drain valve DN 8, figure J6109 473 00	107
axial drain valve and immersion sleeve, figure J7109 150 00	111
Pt 1000 temperature sensor, figure T5100 140 00	111
dial thermometer, figure T5100 150 00	111



WESER stop valve, FPT, figure 190 00

for use before the domestic water meter, wetted metal parts made from dezincification-free and corrosion-resistant gunmetal, resistant against aggressive water, 10 year warranty, maintenance-free spindle sealing with self-lubricating and under pressure replaceable EPDM-lip gasket, EPDM-seat gasket, cone rotatable, protected against water hammer, female pipe thread, without drain port (drain valve cannot be added), spindle thread not in contact with medium, wear-resistant stainless steel valve seat, with a black handwheel, free from dead spots, Open position indicator, DVGW approval, ÖVGW approval, SVGW approval, KIWA approval, VA approval, plastic parts with KTW and W 270 approval, according to accepted materials list from German environmental agency, up to DN 32 soundproofing certification according to DIN EN ISO 3822 Class 1, DIN EN 1213, ÜA-Reg.-Nr. R-15.2.3-21-17048, WIEN-ZERT, pressure rating PN 16, max. operating temperature 110 °C

part no.	DN	female thread	length (mm)	shipping weight (kg)		
1900001500	15	Rp 1/2	65	0.42		
1900002000	20	Rp 3/4	75	0.52		
1900002500	25	Rp 1	90	0.83		
1900003200	32	Rp 1 1/4	110	1.21		
1900004000	40	Rp 1 1/2	120	1.50		
1900005000	50	Rp 2	150	2.40		

accessories

	page
insulation shell for inclined stop valves, figure 471 10	104



WESER stop valve, with plugged drain port, MAPRESS, figure 190 22

wetted metal parts made from dezincification-free and corrosion-resistant gunmetal, resistant against aggressive water, 10 year warranty, maintenance-free spindle sealing with self-lubricating and under pressure replaceable EPDM-lip gasket, EPDM-seat gasket, cone rotatable, protected against water hammer, press connection for Geberit MAPRESS pipe, with plugged drain port, Pt1000 temperature sensor or thermometer can be added using immersion sleeve, spindle thread not in contact with medium, wear-resistant stainless steel valve seat, with a black handwheel, free from dead spots, Open position indicator, DVGW approval, ÖVGW approval, SVGW approval, KIWA approval, VA approval, plastic parts with KTW and W 270 approval, according to accepted materials list from German environmental agency, up to DN 32 soundproofing certification according to DIN EN ISO 3822 Class 1, DIN EN 1213, ÜA-Reg.-Nr. R-15.2.3-21-17048, WIEN-ZERT, pressure rating PN 16, max. operating temperature 110 °C

part no.	DN	connection (mm)	length (mm)	shipping weight (kg)		
1902201500	15	15	94	0.43		
1902201800	15	18	95	0.44		
1902202000	20	22	109	0.54		
1902202500	25	28	129.5	0.82		
1902203200	32	35	151	1.24		
1902204000	40	42	178	1.62		
1902205000	50	54	214	2.33		

accessories	page
drain valve made of gunmetal/plastic, figure J7109 173 00	107
insulation shell for inclined stop valves, figure 471 10	104
gunmetal sampling valve, figure 187 00	54
extension element for drain valve DN 8, figure J6109 473 00	107
axial drain valve and immersion sleeve, figure J7109 150 00	111
Pt 1000 temperature sensor, figure T5100 140 00	111
dial thermometer, figure T5100 150 00	111



WESER stop valve, with plugged drain port, MEPLA, figure 190 40

wetted metal parts made from dezincification-free and corrosion-resistant gunmetal, resistant against aggressive water, 10 year warranty, maintenance-free spindle sealing with self-lubricating and under pressure replaceable EPDM-lip gasket, EPDM-seat gasket, cone rotatable, protected against water hammer, press connection for Geberit MEPLA pipe, with plugged drain port, Pt1000 temperature sensor or thermometer can be added using immersion sleeve, spindle thread not in contact with medium, wear-resistant stainless steel valve seat, with a black handwheel, free from dead spots, Open position indicator, DVGW approval, ÖVGW approval, SVGW approval, KIWA approval, VA approval, plastic parts with KTW and W 270 approval, according to accepted materials list from German environmental agency, up to DN 32 soundproofing certification according to DIN EN ISO 3822 Class 1, DIN EN 1213, ÜA-Reg.-Nr. R-15.2.3-21-17048, WIEN-ZERT, pressure rating PN 16, max. operating temperature 110 °C

part no.	DN	da x s (mm)	length (mm)	shipping weight (kg)		
1904001600	15	16 x 2.25	122	0.40		
1904002000	15	20 x 2.5	126.5	0.42		
1904002600	20	26 x 3.0	146.5	0.55		
1904003200	25	32 x 3.0	154	0.86		
1904004000	32	40 x 3.5	185.5	1.31		
1904005000	40	50 x 4.0	196	1.75		

accessories	page
drain valve made of gunmetal/plastic, figure J7109 173 00	107
insulation shell for inclined stop valves, figure 471 10	104
gunmetal sampling valve, figure 187 00	54
extension element for drain valve DN 8, figure J6109 473 00	107
axial drain valve and immersion sleeve, figure J7109 150 00	111
Pt 1000 temperature sensor, figure T5100 140 00	111
dial thermometer, figure T5100 150 00	111



WESER stop valve, with plugged drain port, SANPRESS/PROFIPRESS, figure 190 30

wetted metal parts made from dezincification-free and corrosion-resistant gunmetal, resistant against aggressive water, 10 year warranty, maintenance-free spindle sealing with self-lubricating and under pressure replaceable EPDM-lip gasket, EPDM-seat gasket, cone rotatable, protected against water hammer, press connection for Viega SANPRESS SST pipe and PROFIPRESS copper pipe, with plugged drain port, Pt1000 temperature sensor or thermometer can be added using immersion sleeve, spindle thread not in contact with medium, wear-resistant stainless steel valve seat, with a black handwheel, free from dead spots, Open position indicator, DVGW approval, ÖVGW approval, KIWA approval, VA approval, plastic parts with KTW and W 270 approval, according to accepted materials list from German environmental agency, up to DN 32 soundproofing certification according to DIN EN ISO 3822 Class 1, DIN EN 1213, ÜA-Reg.-Nr. R-15.2.3-21-17048, WIEN-ZERT, pressure rating PN 16, max. operating temperature 110 °C

part no.	DN	connection (mm)	length (mm)	shipping weight (kg)		
1903001500	15	15	129	0.53		
1903001800	15	18	127	0.53		
1903002000	20	22	146.5	0.69		
1903002500	25	28	172.5	1.08		
1903003200	32	35	200.5	1.62		
1903004000	40	42	228.5	2.05		
1903005000	50	54	275	3.44		

accessories	page
drain valve made of gunmetal/plastic, figure J7109 173 00	107
insulation shell for inclined stop valves, figure 471 10	104
gunmetal sampling valve, figure 187 00	54
extension element for drain valve DN 8, figure J6109 473 00	107
axial drain valve and immersion sleeve, figure J7109 150 00	111
Pt 1000 temperature sensor, figure T5100 140 00	111
dial thermometer, figure T5100 150 00	111



ECO stop valve, with plugged drain port, union thread, figure 170 2G

wetted metal parts made from dezincification-free and corrosion-resistant gunmetal, resistant against aggressive water, spindle with O-ring, EPDM-seat gasket, gunmetal cone, male union thread, with plugged drain port, Pt1000 temperature sensor or thermometer can be added using immersion sleeve, with green handwheel, free from dead spots, DVGW approval, ÖVGW approval, SVGW approval, WRAS approval, VA approval, plastic parts with KTW approval, according to accepted materials list from German environmental agency, up to DN 32 soundproofing certification according to DIN EN ISO 3822 Class 1, DIN EN 1213, ÜA-Reg.-Nr. R-15.2.3-21-17048, WIEN-ZERT, pressure rating PN 16, max. operating temperature 110 °C

part no.	DN	connection	length (mm)	shipping weight (kg)		
1702G01500	15	G 3/4	70	0.31		
1702G02000	20	G 1	78.5	0.45		
1702G02500	25	G 1 1/4	97	0.77		
1702G03200	32	G 1 1/2	110	1.11		
1702G04000	40	G 1 3/4	130	1.50		
1702G05000	50	G 2 3/8	145	2.20		

accessories	page
axial drain valve made of gunmetal, figure J7109 170 00	107
drain valve made of gunmetal/plastic, figure J7109 173 00	107
insulation shell for inclined stop valves, figure 471 10	104
gunmetal sampling valve, figure 187 00	54
extension element for drain valve DN 8, figure J6109 473 00	107
axial drain valve and immersion sleeve, figure J7109 150 00	111
Pt 1000 temperature sensor, figure T5100 140 00	111
dial thermometer, figure T5100 150 00	111
union connections	from 99



ECO stop valve, with plugged drain port, FPT, figure 171 02

wetted metal parts made from dezincification-free and corrosion-resistant gunmetal, resistant against aggressive water, spindle with O-ring, EPDM-seat gasket, gunmetal cone, female pipe thread, with plugged drain port, Pt1000 temperature sensor or thermometer can be added using immersion sleeve, with green handwheel, free from dead spots, DVGW approval, ÖVGW approval, WRAS approval, VA approval, plastic parts with KTW approval, according to accepted materials list from German environmental agency, up to DN 32 soundproofing certification according to DIN EN ISO 3822 Class 1, DIN EN 1213, ÚA-Reg.-Nr. R-15.2.3-21-17048, WIEN-ZERT, pressure rating PN 16, max. operating temperature 110 °C

part no.	DN	female thread	length (mm)	shipping weight (kg)		
1710201500	15	Rp 1/2	65	0.33		
1710202000	20	Rp 3/4	75	0.46		
1710202500	25	Rp 1	90	0.80		
1710203200	32	Rp 1 1/4	110	1.22		
1710204000	40	Rp 1 1/2	120	1.54		
1710205000	50	Rp 2	150	2.50		

accessories	page
axial drain valve made of gunmetal, figure J7109 170 00	107
drain valve made of gunmetal/plastic, figure J7109 173 00	107
insulation shell for inclined stop valves, figure 471 10	104
gunmetal sampling valve, figure 187 00	54
extension element for drain valve DN 8, figure J6109 473 00	107
axial drain valve and immersion sleeve, figure J7109 150 00	111
Pt 1000 temperature sensor, figure T5100 140 00	111
dial thermometer, figure T5100 150 00	111



ECO stop valve, with test port, MAPRESS, figure 171 22

wetted metal parts made from dezincification-free and corrosion-resistant gunmetal, resistant against aggressive water, spindle with O-ring, EPDM-seat gasket, gunmetal cone, press connection for Geberit MAPRESS pipe, with plugged drain port, Pt1000 temperature sensor or thermometer can be added using immersion sleeve, with green handwheel, free from dead spots, DVGW approval, ÖVGW approval, VA approval, plastic parts with KTW approval, according to accepted materials list from German environmental agency, up to DN 32 soundproofing certification according to DIN EN ISO 3822 Class 1, DIN EN 1213, ÜA-Reg.-Nr. R-15.2.3-21-17048, WIEN-ZERT, pressure rating PN 16, max. operating temperature 110 °C

part no.	DN	connection (mm)	length (mm)	shipping weight (kg)		
1712201500	15	15	113	0.42		
1712201800	15	18	115	0.44		
1712202000	20	22	129	0.61		
1712202500	25	28	149	1.00		
1712203200	32	35	175	1.53		
1712204000	40	42	204	1.99		
1712205000	50	54	237.5	3.16		

accessories	page
axial drain valve made of gunmetal, figure J7109 170 00	107
drain valve made of gunmetal/plastic, figure J7109 173 00	107
insulation shell for inclined stop valves, figure 471 10	104
gunmetal sampling valve, figure 187 00	54
extension element for drain valve DN 8, figure J6109 473 00	107
axial drain valve and immersion sleeve, figure J7109 150 00	111
Pt 1000 temperature sensor, figure T5100 140 00	111
dial thermometer, figure T5100 150 00	111



ECO stop valve, with test port, SANPRESS/PROFIPRESS, figure 171 30

wetted metal parts made from dezincification-free and corrosion-resistant gunmetal, resistant against aggressive water, spindle with O-ring, EPDM-seat gasket, gunmetal cone, press connection for Viega SANPRESS SST pipe and PROFIPRESS copper pipe, with plugged drain port, Pt1000 temperature sensor or thermometer can be added using immersion sleeve, with green handwheel, free from dead spots, DVGW approval, ÖVGW approval, VA approval, plastic parts with KTW approval, according to accepted materials list from German environmental agency, up to DN 32 soundproofing certification according to DIN EN ISO 3822 Class 1, DIN EN 1213, ÜA-Reg.-Nr. R-15.2.3-21-17048, WIEN-ZERT, pressure rating PN 16, max. operating temperature 110 °C

part no.	DN	connection (mm)	length (mm)	shipping weight (kg)		
1713001500	15	15	129	0.42		
1713001800	15	18	127	0.44		
1713002000	20	22	149	0.63		
1713002500	25	28	172	1.04		
1713003200	32	35	202	1.63		
1713004000	40	42	232.5	2.09		
1713005000	50	54	273	3.55		

accessories	page
axial drain valve made of gunmetal, figure J7109 170 00	107
drain valve made of gunmetal/plastic, figure J7109 173 00	107
insulation shell for inclined stop valves, figure 471 10	104
gunmetal sampling valve, figure 187 00	54
extension element for drain valve DN 8, figure J6109 473 00	107
axial drain valve and immersion sleeve, figure J7109 150 00	111
Pt 1000 temperature sensor, figure T5100 140 00	111
dial thermometer, figure T5100 150 00	111



STANDARD stop valve, with plugged drain port, union thread, figure 174 2G

gunmetal housing, brass bonnet, maintenance-free spindle gasket with self-lubricating EPDM lip gasket, EPDM-seat gasket, male union thread, with plugged drain port, Pt1000 temperature sensor or thermometer can be added using immersion sleeve, spindle thread not in contact with medium, with green handwheel, free from dead spots, DVGW approval, ÖVGW approval, SVGW approval, WRAS approval, KIWA approval, VA approval, plastic parts with KTW and W 270 approval, according to accepted materials list from German environmental agency, up to DN 32 soundproofing certification according to DIN EN ISO 3822 Class 1, DIN EN 1213, ÜA-Reg.-Nr. R-15.2.3-21-17048, WIEN-ZERT, pressure rating PN 16, max. operating temperature 110 °C

part no.	DN	connection	length (mm)	shipping weight (kg)		
1742G01500	15	G 3/4	70	0.37		
1742G02000	20	G 1	78.5	0.49		
1742G02500	25	G 1 1/4	97	0.78		
1742G03200	32	G 1 1/2	110	1.11		
1742G04000	40	G 1 3/4	130	1.47		
1742G05000	50	G 2 3/8	145	2.39		

accessories	page
drain valve made of gunmetal/plastic, figure J7109 173 00	107
insulation shell for inclined stop valves, figure 471 10	104
gunmetal sampling valve, figure 187 00	54
extension element for drain valve DN 8, figure J6109 473 00	107
axial drain valve and immersion sleeve, figure J7109 150 00	111
Pt 1000 temperature sensor, figure T5100 140 00	111
dial thermometer, figure T5100 150 00	111
union connections	from 99



STANDARD stop valve, with plugged drain port, FPT, figure 191 02

gunmetal housing, brass bonnet, maintenance-free spindle gasket with self-lubricating EPDM lip gasket, female pipe thread, with plugged drain port, Pt1000 temperature sensor or thermometer can be added using immersion sleeve, spindle thread not in contact with medium, EPDM-seat gasket, with green handwheel, free from dead spots, DVGW approval, ÖVGW approval, SVGW approval, WRAS approval, KIWA approval, VA approval, plastic parts with KTW and W 270 approval, according to accepted materials list from German environmental agency, up to DN 32 soundproofing certification according to DIN EN ISO 3822 Class 1, DIN EN 1213, ÜA-Reg.-Nr. R-15.2.3-21-17048, WIEN-ZERT, pressure rating PN 16, max. operating temperature 110 °C

part no.	DN	female thread	length (mm)	shipping weight (kg)		
1910201500	15	Rp 1/2	65	0.39		
1910202000	20	Rp 3/4	75	0.50		
1910202500	25	Rp 1	90	0.81		
1910203200	32	Rp 1 1/4	110	1.20		
1910204000	40	Rp 1 1/2	120	1.53		
1910205000	50	Rp 2	150	2.49		

accessories	page
drain valve made of gunmetal/plastic, figure J7109 173 00	107
insulation shell for inclined stop valves, figure 471 10	104
gunmetal sampling valve, figure 187 00	54
extension element for drain valve DN 8, figure J6109 473 00	107
axial drain valve and immersion sleeve, figure J7109 150 00	111
Pt 1000 temperature sensor, figure T5100 140 00	111
dial thermometer, figure T5100 150 00	111



quarter turn stop valve, union thread, figure 386 0G

low pressure loss, wetted metal parts made from dezincification-free and corrosion-resistant gunmetal, resistant against aggressive water, full bore, male union thread, removable inner top part TOP-ENTRY, with EPDM gasket body and gunmetal ball, operating handle 90° rotatable, free from dead spots, DVGW approval, WRAS approval, plastic parts with KTW and W 270 approval, according to DVGW worksheet W 570, according to accepted materials list from German environmental agency, up to DN 32 soundproofing certification according to DIN EN ISO 3822 Class 1, DIN EN 13828, ÜA-Reg.-Nr. R-15.2.3-21-17048, WIEN-ZERT, pressure rating PN 16, max. operating temperature 90 °C

part no.	DN	connection	length (mm)	shipping weight (kg)		
3860G01500	15	G 3/4	68	0.43		
3860G02000	20	G 1	73	0.50		
3860G02500	25	G 1 1/4	88	0.76		
3860G03200	32	G 1 1/2	93	0.94		

accessories	page
insulation shell for quarter turn stop valves and CONTROL-PLUS sensors, figure 471 19	105
union connections	from 99



quarter turn stop valve, FPT, figure 385 00

low pressure loss, wetted metal parts made from dezincification-free and corrosion-resistant gunmetal, resistant against aggressive water, full bore, female pipe thread, removable inner top part TOP-ENTRY, with EPDM gasket body and gunmetal ball, operating handle 90° rotatable, free from dead spots, DVGW approval, WRAS approval, plastic parts with KTW and W 270 approval, according to DVGW worksheet W 570, according to accepted materials list from German environmental agency, up to DN 32 soundproofing certification according to DIN EN ISO 3822 Class 1, DIN EN 13828, ÜA-Reg.-Nr. R-15.2.3-21-17048, WIEN-ZERT, pressure rating PN 16, max. operating temperature 90 °C

part no.	DN	female thread	length (mm)	shipping weight (kg)		
3850001500	15	Rp 1/2	84	0.50		
3850002000	20	Rp 3/4	90	0.59		
3850002500	25	Rp 1	99	0.83		

accessories	page
insulation shell for quarter turn stop valves and CONTROL-PLUS sensors, figure 471 19	105



SST stop valve, union thread, figure 073 0G

wetted parts made of stainless steel, maintenance-free spindle sealing with self-lubricating and under pressure replaceable EPDM-lip gasket, EPDM-seat gasket, cone rotatable, protected against water hammer, male union thread, without drain port (drain valve cannot be added), spindle thread not in contact with medium, wear-resistant stainless steel valve seat, with a black handwheel, free from dead spots, Open position indicator, DVGW approval, ÖVGW approval, SVGW approval, WRAS approval, KIWA approval, VA approval, plastic parts with KTW and W 270 approval, according to accepted materials list from German environmental agency, up to DN 32 soundproofing certification according to DIN EN ISO 3822 Class 1, DIN EN 1213, ÜA-Reg.-Nr. R-15.2.3-21-17049, WIEN-ZERT, pressure rating PN 16, max. operating temperature 110 °C

part no.	DN	connection	length (mm)	shipping weight (kg)		
0730G01500	15	G 3/4	70	0.39		
0730G02000	20	G 1	78.5	0.54		
0730G02500	25	G 1 1/4	97	0.90		
0730G03200	32	G 1 1/2	110	1.16		
0730G04000	40	G 1 3/4	130	1.71		
0730G05000	50	G 2 3/8	145	2.59		

accessories	page
insulation shell for inclined stop valves, figure 471 10	104
union connections	from 99




SST stop valve, union thread, with drain valve, figure 073 1G

wetted parts made of stainless steel, maintenance-free spindle sealing with self-lubricating and under pressure replaceable EPDM-lip gasket, EPDM-seat gasket, cone rotatable, protected against water hammer, male union thread, with sidewise drain valve, rotatable hose connection element G 3/4, spindle thread not in contact with medium, wear-resistant stainless steel valve seat, with a black handwheel, free from dead spots, Open position indicator, DVGW approval, ÖVGW approval, SVGW approval, WRAS approval, KIWA approval, VA approval, plastic parts with KTW and W 270 approval, according to accepted materials list from German environmental agency, up to DN 32 soundproofing certification according to DIN EN ISO 3822 Class 1, DIN EN 1213, ÜA-Reg.-Nr. R-15.2.3-21-17049, WIEN-ZERT, pressure rating PN 16, max. operating temperature 110 °C

part no.	DN	connection	length (mm)	shipping weight (kg)		
0731G01500	15	G 3/4	70	0.47		
0731G02000	20	G 1	78.5	0.59		
0731G02500	25	G 1 1/4	97	0.96		
0731G03200	32	G 1 1/2	110	1.22		
0731G04000	40	G 1 3/4	130	1.62		
0731G05000	50	G 2 3/8	145	2.64		

accessories	page
insulation shell for inclined stop valves, figure 471 10	104
SST sampling valve, figure 087 00	54
union connections	from 99



SST stop valve, MAPRESS, figure 073 00

wetted parts made of stainless steel, maintenance-free spindle sealing with self-lubricating and under pressure replaceable EPDM-lip gasket, EPDM-seat gasket, cone rotatable, protected against water hammer, press connection Geberit MAPRESS, without drain port (drain valve cannot be added), spindle thread not in contact with medium, wear-resistant stainless steel valve seat, with a black handwheel, free from dead spots, Open position indicator, DVGW approval, SVGW approval, KIWA approval, VA approval, plastic parts with KTW and W 270 approval, according to accepted materials list from German environmental agency, up to DN 32 soundproofing certification according to DIN EN ISO 3822 Class 1, DIN EN 1213, ÚA-Reg.-Nr. R-15.2.3-21-17049, WIEN-ZERT, pressure rating PN 16, max. operating temperature 110 °C

part no.	DN	connection (mm)	length (mm)	shipping weight (kg)		
0730001500	15	15	112	0.41		
0730002000	20	22	125	0.52		
0730002500	25	28	146	0.86		
0730003200	32	35	167	1.19		
0730004000	40	42	189	1.75		
0730005000	50	54	222	2.81		

accessories

insulation shell for inclined stop valves, figure 471 10

page

104



SST stop valve; MAPRESS, with drain valve, figure 073 01

wetted parts made of stainless steel, maintenance-free spindle sealing with self-lubricating and under pressure replaceable EPDM-lip gasket, EPDM-seat gasket, cone rotatable, protected against water hammer, press connection Geberit MAPRESS, with sidewise drain valve, rotatable hose connection element G 3/4, spindle thread not in contact with medium, wear-resistant stainless steel valve seat, with a black handwheel, free from dead spots, Open position indicator, DVGW approval, SVGW approval, KIWA approval, VA approval, plastic parts with KTW and W 270 approval, according to accepted materials list from German environmental agency, up to DN 32 soundproofing certification according to DIN EN ISO 3822 Class 1, DIN EN 1213, ÚA-Reg.-Nr. R-15.2.3-21-17049, WIEN-ZERT, pressure rating PN 16, max. operating temperature 110 °C

part no.	DN	connection (mm)	length (mm)	shipping weight (kg)		
0730101500	15	15	112	0.48		
0730102000	20	22	125	0.61		
0730102500	25	28	146	0.91		
0730103200	32	35	167	1.28		
0730104000	40	42	189	1.81		
0730105000	50	54	222	2.89		

accessories

insulation shell for inclined stop valves, figure 471 10

SST sampling valve, figure 087 00

page

104

54



antipollution check valve, with drain valve, flanged, figure 164 02

wetted metal parts made from dezincification-free and corrosion-resistant gunmetal, resistant against aggressive water, flange connection, with sidewise drain valve, rotatable hose connection element G 3/4, with test port, check valve with SST spring, EPDM-seat gasket, free from dead spots, for any installation position, according to DVGW regulations, plastic parts with KTW and W 270 approval, according to accepted materials list from German environmental agency, acc. to DIN EN 13959 provisions/DIN EN 558-1, ÚA-Reg.-Nr. R-15.2.3-21-17048, WIEN-ZERT, pressure rating PN 16, max. operating temperature 100 °C

part no.	DN	length (mm)	shipping weight (kg)
1640205000	50	230	6.28
1640206500	65	290	9.50
1640208000	80	310	11.91

accessories	page
gunmetal sampling valve, figure 187 00	54
flanges, gasket and bolts	from 97



antipollution check valve, with plugged drain port, union thread, figure 158 1G

particularly suitable for hot water circulation systems due to very low opening pressure, wetted metal parts made from dezincification-free and corrosion-resistant gunmetal, resistant against aggressive water, male union thread, with plugged drain port, with test port, controllable check cartridge, free from dead spots, for any installation position, DVGW approval, ÖVGW approval, SVGW approval, KIWA approval, BELGAQUA approval, plastic parts with KTW and W 270 approval, according to DVGW worksheet W 570, according to accepted materials list from German environmental agency, up to DN 32 soundproofing certification according to DIN EN ISO 3822 Class 1, DIN EN 13959, ÚA-Reg.-Nr. R-15.2.3-21-17048, WIEN-ZERT, pressure rating PN 10, max. operating temperature 65 °C, short-term peak temperature 90 °C

part no.	DN	connection	length (mm)	opening pressure (hPa)	shipping weight (kg)
1581G01500	15	G 3/4	70	10	0.19
1581G02000	20	G 1	80	10	0.27
1581G02500	25	G 1 1/4	82	10	0.42
1581G03200	32	G 1 1/2	87	10	0.47
1581G04000	40	G 1 3/4	95	10	0.63
1581G05000	50	G 2 3/8	115	10	1.03

accessories	page
drain valve made of gunmetal/plastic, figure J7109 173 00	107
gunmetal sampling valve, figure 187 00	54
extension element for drain valve DN 8, figure J6109 473 00	107
union connections	from 99



antipollution check valve, FPT, with plugged drain port, figure 195 02

wetted metal parts made from dezincification-free and corrosion-resistant gunmetal, resistant against aggressive water, female pipe thread, with plugged drain port, Pt1000 temperature sensor or thermometer can be added using immersion sleeve, with test port, check valve with SST spring, EPDM-seat gasket, wear-resistant stainless steel valve seat, free from dead spots, for any installation position, according to DVGW regulations, plastic parts with KTW and W 270 approval, according to accepted materials list from German environmental agency, up to DN 32 soundproofing certification according to DIN EN ISO 3822 Class 1, acc. to DIN EN 13959 provisions, ÜA-Reg.-Nr. R-15.2.3-21-17048, WIEN-ZERT, pressure rating PN 16, max. operating temperature 100 °C

part no.	DN	female thread	length (mm)	shipping weight (kg)		
1950201500	15	Rp 1/2	65	0.34		
1950202000	20	Rp 3/4	75	0.46		
1950202500	25	Rp 1	90	0.73		
1950203200	32	Rp 1 1/4	110	1.04		
1950204000	40	Rp 1 1/2	120	1.36		
1950205000	50	Rp 2	150	2.15		

accessories	page
drain valve made of gunmetal/plastic, figure J7109 173 00	107
insulation shell for inclined stop valves, figure 471 10	104
gunmetal sampling valve, figure 187 00	54
extension element for drain valve DN 8, figure J6109 473 00	107
axial drain valve and immersion sleeve, figure J7109 150 00	111
Pt 1000 temperature sensor, figure T5100 140 00	111
dial thermometer, figure T5100 150 00	111



combined stop and antipollution check valve, with drain valve, figure 137 02

wetted metal parts made from dezincification-free and corrosion-resistant gunmetal, resistant against aggressive water, maintenance-free spindle gasket with self-lubricating EPDM lip gasket, EPDM-seat gasket, flange connection, with sidewise drain valve, rotatable hose connection element G 3/4, with test port, check valve with SST spring, with a black handwheel, free from dead spots, for any installation position, with shut-off function, Open position indicator, according to DVGW regulations, plastic parts with KTW and W 270 approval, according to accepted materials list from German environmental agency, acc. to DIN EN 13959 provisions/DIN EN 558-1, ÜA-Reg.-Nr. R-15.2.3-21-17048, WIEN-ZERT, pressure rating PN 16, max. operating temperature 100 °C

part no.	DN	length (mm)	shipping weight (kg)
1370205000	50	230	6.53
1370206500	65	290	10.38
1370208000	80	310	12.86
1370210000	100	350	19.10

accessories	page
gunmetal sampling valve, figure 187 00	54
flanges, gasket and bolts	from 97



combined stop and antipollution check valve, union thread, with plugged drain port, figure 145 2G

particularly suitable for hot water circulation systems due to very low opening pressure, wetted metal parts made from dezincification-free and corrosion-resistant gunmetal, resistant against aggressive water, maintenance-free spindle sealing with self-lubricating and under pressure replaceable EPDM-lip gasket, EPDM-seat gasket, cone rotatable, protected against water hammer, male union thread, with plugged drain port, with test port, spindle thread not in contact with medium, controllable check cartridge, wear-resistant stainless steel valve seat, with a black handwheel, free from dead spots, for any installation position, with isolating function for maintenance, Open position indicator, DVGW approval, SVGW approval, KIWA approval, BELGAQUA approval, VA approval, plastic parts with KTW and W 270 approval, according to accepted materials list from German environmental agency, up to DN 32 soundproofing certification according to DIN EN ISO 3822 Class 1, DIN EN 13959, ÜA-Reg.-Nr. R-15.2.3-21-17048, WIEN-ZERT, pressure rating PN 10, max. operating temperature 65 °C, short-term peak temperature 90 °C

part no.	DN	connection	length (mm)	opening pressure (hPa)	shipping weight (kg)
1452G01500	15	G 3/4	82	10	0.43
1452G02000	20	G 1	97	10	0.58
1452G02500	25	G 1 1/4	112	10	0.92
1452G03200	32	G 1 1/2	131	10	1.32
1452G04000	40	G 1 3/4	148	10	1.65
1452G05000	50	G 2 3/8	174	10	2.51

accessories	page
drain valve made of gunmetal/plastic, figure J7109 173 00	107
insulation shell for inclined stop valves, figure 471 10	104
gunmetal sampling valve, figure 187 00	54
extension element for drain valve DN 8, figure J6109 473 00	107
union connections	from 99



combined stop and antipollution check valve, with plugged drain port, union thread, figure 160 2G

wetted metal parts made from dezincification-free and corrosion-resistant gunmetal, resistant against aggressive water, maintenance-free spindle gasket with self-lubricating EPDM lip gasket, EPDM-seat gasket, male union thread, with plugged drain port, with test port, check valve with SST spring, with a black handwheel, free from dead spots, for any installation position, with isolating function for maintenance, Open position indicator, according to DVGW regulations, plastic parts with KTW and W 270 approval, according to accepted materials list from German environmental agency, acc. to DIN EN 13959 provisions, ÜA-Reg.-Nr. R-15.2.3-21-17048, WIEN-ZERT, pressure rating PN 16, max. operating temperature 100 °C

part no.	DN	connection	length (mm)	shipping weight (kg)		
1602G06500	65	G 3	190	4.49		
1602G08000	80	G 3 1/2	215	5.95		

accessories	page
drain valve made of gunmetal/plastic, figure J7109 173 00	107
gunmetal sampling valve, figure 187 00	54
union connections	from 99



combined stop and antipollution check valve, with plugged drain port, FPT, figure 193 02

wetted metal parts made from dezincification-free and corrosion-resistant gunmetal, resistant against aggressive water, maintenance-free spindle gasket with self-lubricating EPDM lip gasket, female pipe thread, with plugged drain port, Pt1000 temperature sensor or thermometer can be added using immersion sleeve, with test port, check valve with SST spring, EPDM-seat gasket, wear-resistant stainless steel valve seat, with a black handwheel, free from dead spots, for any installation position, with isolating function for maintenance, Open position indicator, according to DVGW regulations, plastic parts with KTW and W 270 approval, according to accepted materials list from German environmental agency, up to DN 32 soundproofing certification according to DIN EN ISO 3822 Class 1, acc. to DIN EN 13959 provisions, ÜA-Reg.-Nr. R-15.2.3-21-17048, WIEN-ZERT, pressure rating PN 16, max. operating temperature 100 °C

part no.	DN	female thread	length (mm)	shipping weight (kg)		
1930201500	15	Rp 1/2	65	0.45		
1930202000	20	Rp 3/4	75	0.60		
1930202500	25	Rp 1	90	0.95		
1930203200	32	Rp 1 1/4	110	1.26		
1930204000	40	Rp 1 1/2	120	1.59		
1930205000	50	Rp 2	150	2.39		

accessories	page
drain valve made of gunmetal/plastic, figure J7109 173 00	107
insulation shell for inclined stop valves, figure 471 10	104
gunmetal sampling valve, figure 187 00	54
extension element for drain valve DN 8, figure J6109 473 00	107
axial drain valve and immersion sleeve, figure J7109 150 00	111
Pt 1000 temperature sensor, figure T5100 140 00	111
dial thermometer, figure T5100 150 00	111



SST combined stop and anti pollution check valve, union thread, with drain valve, figure 060 1G

wetted parts made of stainless steel, maintenance-free spindle gasket with self-lubricating EPDM lip gasket, EPDM-seat gasket, male union thread, with sidewise drain valve, rotatable hose connection element G 3/4, with test port, check valve with SST spring, wear-resistant stainless steel valve seat, with a black handwheel, free from dead spots, Open position indicator, for any installation position, according to DVGW regulations, plastic parts with KTW and W 270 approval, according to accepted materials list from German environmental agency, up to DN 32 soundproofing certification according to DIN EN ISO 3822 Class 1, acc. to DIN EN 13959 provisions, ÜA-Reg.-Nr. R-15.2.3-21-17049, WIEN-ZERT, pressure rating PN 16, max. operating temperature 110 °C

part no.	DN	connection	length (mm)	shipping weight (kg)		
0601G01500	15	G 3/4	70	0.52		
0601G02000	20	G 1	78.5	0.66		
0601G02500	25	G 1 1/4	97	1.08		
0601G03200	32	G 1 1/2	110	1.32		
0601G04000	40	G 1 3/4	130	1.99		
0601G05000	50	G 2 3/8	145	2.85		

accessories	page
insulation shell for inclined stop valves, figure 471 10	104
SST sampling valve, figure 087 00	54
union connections	from 99



SST combined stop and antipollution check valve, MAPRESS, with drain valve, figure 060 01

wetted parts made of stainless steel, maintenance-free spindle gasket with self-lubricating EPDM lip gasket, EPDM-seat gasket, press connection Geberit MAPRESS, with sidewise drain valve, rotatable hose connection element G 3/4, with test port, check valve with SST spring, wear-resistant stainless steel valve seat, with a black handwheel, free from dead spots, for any installation position, Open position indicator, according to DVGW regulations, plastic parts with KTW and W 270 approval, according to accepted materials list from German environmental agency, up to DN 32 soundproofing certification according to DIN EN ISO 3822 Class 1, acc. to DIN EN 13959 provisions, ÜA-Reg.-Nr. R-15.2.3-21-17049, WIEN-ZERT, pressure rating PN 16, max. operating temperature 110 °C

part no.	DN	connection (mm)	length (mm)	shipping weight (kg)		
0600101500	15	15	112	0.51		
0600102000	20	22	125	0.69		
0600102500	25	28	146	1.01		
0600103200	32	35	167	1.43		
0600104000	40	42	189	2.13		
0600105000	50	54	222	3.08		

accessories	page
insulation shell for inclined stop valves, figure 471 10	104
SST sampling valve, figure 087 00	54



backflow preventer, type CA, figure 362 2G

to protect drinking water against backflow of fluids up to and including category 3 according DIN 1988-100, wetted metal parts made from dezincification-free and corrosion-resistant gunmetal, resistant against aggressive water, with stainless steel mesh at inlet, maintenance-free backup cartridge, with non-controllable pressure zone, male union thread, drain connection of plastic and gunmetal according to DIN EN 1717, inlet and outlet with check cartridge, free from dead spots, for horizontal installation, drain valve down, DVGW approval, KIWA approval, BELGAQUA approval, plastic parts with KTW and W 270 approval, according to accepted materials list from German environmental agency, soundproofing certification according to DIN EN ISO 3822 Class 1, DIN EN 14367/EN 1717, ÜA-Reg.-Nr. R-15.2.3-21-17048, WIEN-ZERT, pressure rating PN 10, max. operating temperature 60 °C, short-term peak temperature 65 °C,

note: maintenance requirements in accordance with DIN EN 806-5 must be complied with

part no.	DN	connection	drain connection (mm)	length (mm)	shipping weight (kg)		
3622G01500	15	G 3/4	40	79.5	0.65		
3622G02000	20	G 1	40	79.5	0.66		

accessories

union connections

page

from 99



PROTECT RPZ backflow preventer, type BA, flanged, figure 361 01

to protect drinking water against backflow of fluids up to and including category 4 according DIN EN 1717 / DIN 1988-100, wetted parts made of stainless steel, integrated differential pressure controlled and low-maintenance protection cartridge including CV, with controllable reduced pressure zone, flange connection, with three assembled valves, drain pipe connection from stainless steel HT 150, inlet and outlet with check cartridge, free from dead spots, for horizontal installation, drain valve down, DVGW approval, according to accepted materials list from German environmental agency, DIN 2576/acc. to EN 12729/EN 1717, pressure rating PN 10, max. operating temperature 60 °C, min. primary pressure 0.15 MPa,

note: maintenance requirements in accordance with DIN EN 806-5 must be complied with

part no.	DN	drain connection (mm)	length (mm)	shipping weight (kg)		
3610106500	65	146	559	32.00		
3610108000	80	146	559	32.50		
3610110000	100	146	559	33.00		
3610115000	150	146	695	57.00		

accessories	page
differential pressure measurement set, figure 360 99	108
flanges, gasket and bolts	from 97




PROTECT RPZ backflow preventer, type BA, union thread, figure 360 0G

to protect drinking water against backflow of fluids up to and including category 4 according DIN EN 1717 / DIN 1988-100, wetted metal parts made from dezincification-free and corrosion-resistant gunmetal, resistant against aggressive water, with stainless steel mesh at inlet, integrated differential pressure controlled and low-maintenance protection cartridge including CV, with controllable reduced pressure zone, male union thread, with three assembled valves, drain connection of plastic and gunmetal according to DIN EN 1717, inlet and outlet with check cartridge, free from dead spots, for horizontal installation, DVGW approval, ÖVGW approval, SVGW approval up to DN 40, WRAS approval, KIWA approval, BELGAQUA approval, VA approval, plastic parts with KTW and W 270 approval, according to accepted materials list from German environmental agency, up to DN 25 soundproofing certification according to DIN EN ISO 3822 Class 1 (DN 32 Class 2), DIN EN 12729 (DN 50 with flow valves according to DVGW W 570)/EN 1717, ÜA-Reg.-Nr. R-15.2.3-21-17048, WIEN-ZERT, pressure rating PN 10, max. operating temperature 60 °C, short-term peak temperature 65 °C,

note: maintenance requirements in accordance with DIN EN 806-5 must be complied with

part no.	DN	connection	drain connection (mm)	length (mm)	shipping weight (kg)		
3600G01500	15	G 3/4	50	135	1.74		
3600G02000	20	G 1	50	140	1.76		
3600G02500	25	G 1 1/4	50	168	2.37		
3600G03200	32	G 1 1/2	50	180	2.56		
3600G04000	40	G 1 3/4	50	226	5.64		
3600G05000	50	G 2 3/8	50	230	5.84		

accessories	page
differential pressure measurement set, figure 360 99	108
union connections	from 99




FK-4 RPZ backflow preventer outlet type BA, figure 367 01

to protect drinking water against backflow of fluids up to and including category 4 according DIN EN 1717 / DIN 1988-100, wetted metal parts made from dezincification-free and corrosion-resistant gunmetal, resistant against aggressive water, inlet male pipe thread, suitable for connection to the elbow wallplates, gunmetal cone, EPDM-seat gasket, with stainless steel mesh at inlet, integrated differential pressure controlled and low-maintenance protection cartridge including CV, with controllable reduced pressure zone, test ports for connection of test valves for maintenance, plastic drain connection according EN 1717, with actuating grip, free from dead spots, for horizontal installation, drain valve down, with isolating function for maintenance, outlet with male thread acc. ISO 228 for hose connection, DVGW approval, KIWA approval, BELGAQUA approval, VA approval, plastic parts with KTW and W 270 approval, according to DVGW W 408, according to accepted materials list from German environmental agency, soundproofing certification according to DIN EN ISO 3822 Class 1, DIN EN 10226/EN 1717, pressure rating PN 10, max. operating temperature 60 °C, short-term peak temperature 65 °C,

note: maintenance requirements in accordance with DIN EN 806-5 must be complied with

part no.	DN	connection	drain connection (mm)	length (mm)	shipping weight (kg)		
3670101500	15	G 1/2	50	57.5	1.74		
3670102000	20	G 3/4	50	57.5	1.80		

accessories	page
differential pressure measurement set, figure 360 99	108
locking operating handle for FK-4, figure 367 05 001	108
test valve with union adaptor for inspection of RPZ valves FK-4, figure 367 06	108
test valve set for inspection of RPZ valves FK-4, figure 367 07	108



FK-4 RPZ backflow preventer outlet type BA, figure 367 01 025

to protect drinking water against backflow of fluids up to and including category 4 according DIN EN 1717 / DIN 1988-100, suitable for connection to the elbow wallplates, wetted metal parts made from dezincification-free and corrosion-resistant gunmetal, resistant against aggressive water, inlet male pipe thread, gunmetal cone, EPDM-seat gasket, with stainless steel mesh at inlet, integrated differential pressure controlled and low-maintenance protection cartridge including CV, with controllable reduced pressure zone, test ports for connection of test valves for maintenance, plastic drain connection according EN 1717, with a black handwheel, free from dead spots, for horizontal installation, drain valve down, with isolating function for maintenance, discharge side G 1 1/4 according to ISO 228 for the connection of a hose coupling, Open position indicator, DVGW approval, KIWA approval, BELGAQUA approval, VA approval, plastic parts with KTW and W 270 approval, according to DVGW W 408, according to accepted materials list from German environmental agency, soundproofing certification according to DIN EN ISO 3822 Class 2, DIN EN 10226/EN 1717, pressure rating PN 10, max. operating temperature 60 °C, short-term peak temperature 65 °C,

note: maintenance requirements in accordance with DIN EN 806-5 must be complied with

part no.	DN	connection	drain connection (mm)	length (mm)	shipping weight (kg)		
3670102500	25	G 1	50	57.5	1.90		

accessories	page
differential pressure measurement set, figure 360 99	108
test valve with union adaptor for inspection of RPZ valves FK-4, figure 367 06	108
test valve set for inspection of RPZ valves FK-4, figure 367 07	108



FK-4 RPZ backflow preventer outlet type BA, figure 367 01 050

to protect drinking water against backflow of fluids up to and including category 4 according DIN EN 1717 / DIN 1988-100, wetted metal parts made from dezincification-free and corrosion-resistant gunmetal, resistant against aggressive water, inlet male pipe thread, EPDM-seat gasket, gunmetal cone, with stainless steel mesh at inlet, integrated differential pressure controlled and low-maintenance protection cartridge including CV, with controllable reduced pressure zone, test ports for connection of test valves for maintenance, plastic drain connection according EN 1717, free from dead spots, for horizontal installation, drain valve down, with isolating function for maintenance, discharge side G 2 according to ISO 228 including alu-C coupling, DVGW approval, KIWA approval, BELGAQUA approval, VA approval, plastic parts with KTW and W 270 approval, according to DVGW W 408, according to accepted materials list from German environmental agency, DIN EN 10226/EN 1717, pressure rating PN 10, max. operating temperature 60 °C, short-term peak temperature 65 °C,

note: maintenance requirements in accordance with DIN EN 806-5 must be complied with

part no.	DN	connection	drain connection (mm)	length (mm)	shipping weight (kg)
3670105000	50	G 2	50	73	5.06

accessories	page
differential pressure measurement set, figure 360 99	108
test valve with union adaptor for inspection of RPZ valves FK-4, figure 367 06	108
test valve set for inspection of RPZ valves FK-4, figure 367 07	108




RPZ backflow preventer outlet for apartments type BA, figure 368 02

for normative refilling of apartment heating installations, to protect drinking water against backflow of fluids up to and including category 4 according DIN EN 1717 / DIN 1988-100, suitable for connection to the elbow wallplates, with union adapter and collar for installation in cramped confines, made of brass, nickel plated, EPDM-seat gasket, with stainless steel mesh at inlet, integrated differential pressure controlled and low-maintenance protection cartridge including CV, with controllable reduced pressure zone, test ports for connection of test valves for maintenance, plastic drain connection according EN 1717, free from dead spots, for horizontal installation, drain valve down, with isolating function for maintenance, outlet with male thread acc. ISO 228 for hose connection, DVGW approval, VA approval, plastic parts with KTW and W 270 approval, according to accepted materials list from German environmental agency, soundproofing certification according to DIN EN ISO 3822 Class 1, EN 1717, pressure rating PN 10, max. operating temperature 60 °C, short-term peak temperature 65 °C,

note: maintenance requirements in accordance with DIN EN 806-5 must be complied with

part no.	DN	connection	drain connection (mm)	shipping weight (kg)
3680201500	10	G 1/2	50	1.06

accessories	page
differential pressure measurement set, figure 360 99	108
test valve with union adaptor for inspection of RPZ valves FK-4, figure 367 06	108
test valve set for inspection of RPZ valves FK-4, figure 367 07	108



FILL-MATIC 4 combi filling valve type BA for heating systems, figure 365 0G

to protect drinking water against backflow of fluids up to and including category 4 according to DIN EN 1717 / DIN 1988-100, for heating water with inhibitors, wetted metal parts made from dezincification-free and corrosion-resistant gunmetal, resistant against aggressive water, consisting of shut-off, pressure reducing valve, RPZ backflow preventer Type BA and pressure gauge, with stainless steel mesh at inlet, integrated differential pressure controlled and low-maintenance protection cartridge including CV, with controllable reduced pressure zone, male union thread, drain connection of plastic and gunmetal according to DIN EN 1717, inlet and outlet with check cartridge, free from dead spots, for horizontal installation, drain valve down, incl. manometer for system pressure secondary side, incl. insulation shells, , DVGW approval, BELGAQUA approval, plastic parts with KTW and W 270 approval, according to DVGW worksheet W 570, according to accepted materials list from German environmental agency, building material class B1 according to DIN 4102 , DIN EN 1213/EN 1717, ÜA-Reg.-Nr. R-15.2.3-21-17048, WIEN-ZERT, pressure rating PN 10, max. inlet temperature 30 °C, min. primary pressure 0.15 MPa, min. outlet pressure 0.1 MPa, max. outlet pressure 0.4 MPa, factory setting 0.15 MPa,

note: maintenance requirements in accordance with DIN EN 806-5 must be complied with

part no.	DN	connection	drain connection (mm)	length (mm)	shipping weight (kg)		
3650G02000	20	G 1	40	186.5	1.70		

accessories	page
differential pressure measurement set, figure 360 99	108
union connections	from 99



FK-5 break tank station, figure 369 00

for the protection of drinking water against non-potable water of fluid category 5 in accordance with DIN EN 1717/DIN 1988-100, wetted parts on the drinking water side made of gunmetal, stainless steel and drinking water approved plastics, cover made of EPP, easy operation using touch screen, operating times can be defined, flushing of the PWC line and cleaning of the container (optionally) possible, readout of data, for example operating status and consumption figures, possible using USB interface, high performance (flow rate and total head), for wall mounting or installation on optional rack, rainwater utilisation can be integrated (optional), control of external immersion and metering pump possible, low-noise operation, normally closed inlet valve, with coupling nut for flat sealing connection thread including EPDM gasket, plastic drain connection according EN 1717, frost protection monitor, drain overflow monitoring (optional), BMS fault signal possible through a dry contact, Connection to power supply with type F safety plug, flexible connection to the pipeline with integrated connection set, DVGW approval, ÖVGW approval, KIWA approval, BELGAQUA approval, plastic parts with KTW and W 270 approval, according to accepted materials list from German environmental agency, device cover building material class B2 in accordance with DIN 4102, CE marking, pressure rating PN 10, max. operating temperature 35 °C, min. ambient temperature 2 °C, max. ambient temperature 40 °C, protection class IP54, power supply 230 V AC, volume of receiver tank 30 l, Flushing volume of PWC line 10 l/min (at 3 bar), electrical power consumption DN 20 3.3 A/DN 25 5.5 A, power factor 0.97, sound pressure level at a distance of 1 m under full load DN 20: 52.7 dB (A), DN 25: 58 dB (A),

note: maintenance requirements in accordance with DIN EN 806-5 must be complied with, additional country-specific versions on request

part no.	DN	connec- tion	drain connection (mm)	max. head (m)	max. flow rate (m ³ /h)	shipping weight (kg)		
3690002000	20	G 1	75	43.2	3	43.60		
3690002500	25	G 1 1/4	75	57.9	6	47.40		

accessories	page
Water Supply Set Plus, figure 369 01	109
FK-5 tank cleaning unit, figure 369 02	109
FK-5 rack, figure 369 03	109
FK-5 overflow sensor, figure 369 04	109
Connection-set for FK-5, figure 369 27	109
Y-strainer, figure 602 00	73



leak detection system with actuator, figure 620 00

active monitoring system with alarm signal to protect against water damage by reliable detection of leakage in water distribution systems by means of water sensors, consisting of control unit, water sensor and KHS isolating valve with servo drive 230 V, figure 686 04, low pressure loss, soft close stop valve to avoid water hammer, for new build and retrofit, with the functional options: leakage monitoring and timed-controlled protection, leakage monitoring and time-controlled flushing of the drinking water system, protection without leakage monitoring, leakage control system with integrated timer, for the connection of up to two reporting lines with maximum 25 water sensors, as well as for the connection of max. 10 parallel-operated maximum flow isolating ball valves, with detachable visual and / or acoustic error signal, max. 16 programmable events, display with background light, valve(s) with DVGW approval, according to DVGW worksheet W 570, according to accepted materials list from German environmental agency, up to DN 32 soundproofing certification according to DIN EN ISO 3822 Class 1, DIN EN 13828, ÜA-Reg.-Nr. R-15.2.3-21-17048, WIEN-ZERT, pressure rating PN 16, min. ambient temperature 0 °C, max. ambient temperature 50 °C, protection class IP54, power supply 230 V AC, switching capacity 230 V, 2 A, floating alarm relay, max. 230 V, 2 A, own consumption 3 W, wire cross section 3 x 0.75 mm²

part no.	DN	connection	shipping weight (kg)		
6200001500	15	G 3/4	2.17		
6200002000	20	G 1	1.96		
6200002500	25	G 1 1/4	2.46		
6200003200	32	G 1 1/2	2.63		

accessories	page
KHS quarter turn stop valve, with 230 V actuator, figure 686 04	93
KHS quarter turn stop valve PLUS, 230 V spring return actuator, figure 686 05	93
KHS free drain with overflow sensor, figure 688 00	94
insulation shell for quarter turn stop valves and CONTROL-PLUS sensors, figure 471 19	105
water sensor, figure 620 00 001	108
flow limiter, figure 697	94
union connections	from 99



leak detection system with spring return actuator, figure 620 01

active monitoring system with alarm signal to protect against water damage by reliable detection of leakage in water distribution systems by means of water sensors, consisting of control unit, water sensor and loaded KHS isolating valve PLUS with spring return actuator 230V, figure 686 05, low pressure loss, soft close stop valve to avoid water hammer, for new build and retrofit, with the functional options: leakage monitoring and timed-controlled protection, leakage monitoring and time-controlled flushing of the drinking water system, protection without leakage monitoring, leakage control system with integrated timer, for the connection of up to two reporting lines with maximum 25 water sensors, as well as for the connection of max. 10 parallel-operated maximum flow isolating ball valves, with detachable visual and / or acoustic error signal, max. 16 programmable events, display with background light, valve(s) with DVGW approval, according to DVGW worksheet W 570, according to accepted materials list from German environmental agency, up to DN 32 soundproofing certification according to DIN EN ISO 3822 Class 1, DIN EN 13828, ÜA-Reg.-Nr. R-15.2.3-21-17048, WIEN-ZERT, pressure rating PN 16, min. ambient temperature 0 °C, max. ambient temperature 50 °C, protection class IP54, power supply 230 V AC, switching capacity 230 V, 2 A, floating alarm relay, max. 230 V, 2 A, own consumption 3 W, wire cross section 3 x 0.75 mm²

part no.	DN	connection	shipping weight (kg)		
6200101500	15	G 3/4	2.77		
6200102000	20	G 1	2.82		
6200102500	25	G 1 1/4	3.05		
6200103200	32	G 1 1/2	3.24		

accessories	page
KHS quarter turn stop valve, with 230 V actuator, figure 686 04	93
KHS quarter turn stop valve PLUS, 230 V spring return actuator, figure 686 05	93
KHS free drain with overflow sensor, figure 688 00	94
insulation shell for quarter turn stop valves and CONTROL-PLUS sensors, figure 471 19	105
water sensor, figure 620 00 001	108
flow limiter, figure 697	94
union connections	from 99



safety group, response pressure value 0.6 MPa, figure 714 0G

internal parts made of gunmetal, stainless steel and plastic, protection of overpressure in water heaters acc. DIN 1988, with pressure relief valve, maintenance-free spindle gasket with self-lubricating EPDM lip gasket, with a black handwheel, EPDM-seat gasket, male union thread, with test port, telescopic drain connection acc. EN 1718, controllable check cartridge, for any installation position, plugged port for optional manometer, Open position indicator, plastic parts with KTW and W 270 approval, according to accepted materials list from German environmental agency, DIN EN 1213/EN 1488, ÜA-Reg.-Nr. R-15.2.3-21-17048, WIEN-ZERT, pressure rating PN 16, max. operating temperature 65 °C, short-term peak temperature 90 °C, pressure relief valve response pressure 0.6 MPa,

note: maintenance requirements in accordance with DIN EN 806-5 must be complied with

part no.	DN	connection	length (mm)	shipping weight (kg)		
7140G02000	20	G 1	90	2.10		
7140G02500	25	G 1 1/4	100	2.84		
7140G03200	32	G 1 1/2	105	2.88		

accessories	page
axial drain valve and immersion sleeve, figure J7109 150 00	111
dial thermometer, figure T5100 150 00	111
manometer with backward connection G 1/4, figure T5100 700 00 001	110
manometer with below connection G 1/4, figure T5100 700 00 002	110
union connections	from 99



safety group, response pressure value 0.8 MPa, figure 715 0G

internal parts made of gunmetal, stainless steel and plastic, protection of overpressure in water heaters acc. DIN 1988, with pressure relief valve, maintenance-free spindle gasket with self-lubricating EPDM lip gasket, with a black handwheel, EPDM-seat gasket, male union thread, with test port, telescopic drain connection acc. EN 1718, controllable check cartridge, for any installation position, plugged port for optional manometer, Open position indicator, plastic parts with KTW and W 270 approval, according to accepted materials list from German environmental agency, DIN EN 1213/EN 1488, ÜA-Reg.-Nr. R-15.2.3-21-17048, WIEN-ZERT, pressure rating PN 16, max. operating temperature 65 °C, short-term peak temperature 90 °C, pressure relief valve response pressure 0.8 MPa,

note: maintenance requirements in accordance with DIN EN 806-5 must be complied with

part no.	DN	connection	length (mm)	shipping weight (kg)		
7150G02000	20	G 1	90	2.81		
7150G02500	25	G 1 1/4	100	2.86		
7150G03200	32	G 1 1/2	105	2.95		

accessories	page
axial drain valve and immersion sleeve, figure J7109 150 00	111
dial thermometer, figure T5100 150 00	111
manometer with backward connection G 1/4, figure T5100 700 00 001	110
manometer with below connection G 1/4, figure T5100 700 00 002	110
union connections	from 99



/// safety group, response pressure value 1.0 MPa, figure 716 0G

internal parts made of gunmetal, stainless steel and plastic, protection of overpressure in water heaters acc. DIN 1988, with pressure relief valve, maintenance-free spindle gasket with self-lubricating EPDM lip gasket, with a black handwheel, EPDM-seat gasket, male union thread, with test port, telescopic drain connection acc. EN 1718, controllable check cartridge, for any installation position, plugged port for optional manometer, Open position indicator, plastic parts with KTW and W 270 approval, according to accepted materials list from German environmental agency, DIN EN 1213/EN 1488, ÜA-Reg.-Nr. R-15.2.3-21-17048, WIEN-ZERT, pressure rating PN 16, max. operating temperature 65 °C, short-term peak temperature 90 °C, pressure relief valve response pressure 1.0 MPa,

note: maintenance requirements in accordance with DIN EN 806-5 must be complied with

part no.	DN	connection	length (mm)	shipping weight (kg)		
7160G02000	20	G 1	90	2.79		
7160G02500	25	G 1 1/4	100	2.84		
7160G03200	32	G 1 1/2	105	2.88		

accessories	page
axial drain valve and immersion sleeve, figure J7109 150 00	111
dial thermometer, figure T5100 150 00	111
manometer with backward connection G 1/4, figure T5100 700 00 001	110
manometer with below connection G 1/4, figure T5100 700 00 002	110
union connections	from 99



pressure reducing valve, flanged, figure 711 00

single-seated valve with balanced plug, gunmetal housing, interior parts made of gunmetal and stainless steel, full metal version, easy to maintain, outlet pressure adjustable on lockable knurl with pressure scale, with stainless steel mesh at inlet, flange connection, for any installation position, incl. manometer for inlet and outlet pressure, DVGW approval, plastic parts with KTW and W 270 approval, according to accepted materials list from German environmental agency, DIN EN 1092/EN 1567/DIN EN 558-1, pressure rating PN 25 (DN 80 only, DN 65: PN 16), max. operating temperature 90 °C, min. outlet pressure 0.1 MPa, max. outlet pressure 0.7 MPa, factory setting 0.4 MPa

part no.	DN	length (mm)	shipping weight (kg)		
7110006500	65	290	19.72		
7110008000	80	310	21.20		

accessories	page
flanges, gasket and bolts	from 97



pressure reducing valve, figure 710 0G

single-seated valve with balanced plug, internal parts made of gunmetal, stainless steel and plastic, easy to maintain, PRV housing made of transparent plastic, outlet pressure adjustable on lockable knurl with pressure scale, with stainless steel mesh at inlet, male union thread, for any installation position, plugged port for optional manometer, incl. allen key, incl. gunmetal base module, DVGW approval, WRAS approval, plastic parts with KTW and W 270 approval, according to accepted materials list from German environmental agency, up to DN 32 soundproofing certification according to DIN EN ISO 3822 Class 1, DIN EN 1213/EN 1567, ÜA-Reg.-Nr. R-15.2.3-21-17048, WIEN-ZERT, pressure rating PN 16, max. operating temperature 30 °C, min. outlet pressure 0.15 MPa, max. outlet pressure 0.55 MPa, factory setting 0.4 MPa

part no.	DN	connection	length (mm)	shipping weight (kg)		
7100G01500	15	G 3/4	90	0.99		
7100G02000	20	G 1	90	1.01		
7100G02500	25	G 1 1/4	100	1.07		
7100G03200	32	G 1 1/2	105	2.33		
7100G04000	40	G 1 3/4	130	2.64		
7100G05000	50	G 2 3/8	140	2.91		

accessories	page
manometer with backward connection G 1/4, figure T5100 700 00 001	110
manometer with below connection G 1/4, figure T5100 700 00 002	110
union connections	from 99



filter, figure 712 0G

mechanically acting, manual backwash filter, internal parts made of gunmetal, stainless steel and plastic, with differential pressure controlled pollution indicator for maintenance, opaque filter housing to prevent algae growth, with manual backwash function for filter cleanup under operation, can be retrofitted with optional pressure reducing valve cartridge DM, expandable to a PRV-filter combination DMF by use of optional PRV cartridge DM, male union thread, exchangeable filter cartridge, rotatable drain according to EN 1717, free from dead spots, for horizontal and vertical installation, drain valve down, adjustable month indicator for next maintenance, incl. allen key, incl. gunmetal base module, DVGW approval, plastic parts with KTW approval, according to accepted materials list from German environmental agency, up to DN 32 soundproofing certification according to DIN EN ISO 3822 Class 1, DIN EN 1213/EN 13443/part no. 7120G13200 deviant to DIN EN 13443-1, pressure rating PN 16, max. operating temperature 30 °C, min. primary pressure 0.2 MPa, lower mesh 90 µm, upper mesh 125 µm,

note: maintenance requirements in accordance with DIN EN 806-5 must be complied with

part no.	DN	connection	length (mm)	shipping weight (kg)
7120G01500	15	G 3/4	90	3.51
7120G02000	20	G 1	90	3.54
7120G02500	25	G 1 1/4	100	3.59
7120G13200	32	G 1 1/2	105	3.63
7120G03200	32	G 1 1/2	105	6.62
7120G04000	40	G 1 3/4	130	6.95
7120G05000	50	G 2 3/8	140	7.37

accessories	page
PRV cartridge	133
manometer with backward connection G 1/4, figure T5100 700 00 001	110
manometer with below connection G 1/4, figure T5100 700 00 002	110
automatic backwash module for filter F and DMF, figure 712 99 004	110
union connections	from 99




pressure reducing valve-filter combination, figure 713 0G

mechanically acting, manual backwash filter, single-seated valve with balanced plug, internal parts made of gunmetal, stainless steel and plastic, with differential pressure controlled pollution indicator for maintenance, opaque filter housing to prevent algae growth, with manual backwash function for filter cleanup under operation, PRV housing made of transparent plastic, outlet pressure adjustable on lockable knurl with pressure scale, easily maintainable PRV, with stainless steel mesh at inlet, male union thread, exchangeable filter cartridge, rotatable drain according to EN 1717, free from dead spots, for horizontal and vertical installation, drain valve down, adjustable month indicator for next maintenance, incl. manometer for system pressure secondary side, incl. allen key, incl. gunmetal base module, DVGW approval, plastic parts with KTW approval, according to accepted materials list from German environmental agency, up to DN 32 soundproofing certification according to DIN EN ISO 3822 Class 1, DIN EN 1213/EN 13443/EN 1567, pressure rating PN 16, max. operating temperature 30 °C, min. primary pressure 0.2 MPa, min. outlet pressure 0.15 MPa, max. outlet pressure 0.55 MPa, factory setting 0.4 MPa, lower mesh 90 µm, upper mesh 125 µm,

note: maintenance requirements in accordance with DIN EN 806-5 must be complied with

part no.	DN	connection	length (mm)	shipping weight (kg)
7130G01500	15	G 3/4	90	3.79
7130G02000	20	G 1	90	3.82
7130G02500	25	G 1 1/4	100	3.87
7130G03200	32	G 1 1/2	105	7.45
7130G04000	40	G 1 3/4	130	7.78
7130G05000	50	G 2 3/8	140	8.20

accessories	page
automatic backwash module for filter F and DMF, figure 712 99 004	110
union connections	from 99



MULTI-THERM thermostatic balancing valve, union thread, 50 °C - 65 °C, figure 141 0G

for hydraulic balancing of hot water return systems (PWH-C), supports thermal disinfection, wetted metal parts made from dezincification-free and corrosion-resistant gunmetal, resistant against aggressive water, isolating unit with temperature sensor pocket, PTFE seat gasket, thermostatic balancing unit, male union thread, with plugged drain port, free from dead spots, DVGW approval, ÖVGW approval, SVGW approval, WRAS approval, KIWA approval, plastic parts with KTW and W 270 approval, for systems according to DVGW worksheet W 551 / W 553 / DIN 1988-300, according to accepted materials list from German environmental agency, ÜA-Reg.-Nr. R-15.2.3-21-17048, WIEN-ZERT, control range 50 °C - 65 °C, pressure rating PN 16, max. operating temperature 90 °C

part no.	DN	connection	length (mm)	shipping weight (kg)		
1410G01500	15	G 3/4	110	0.67		
1410G02000	20	G 1	123	0.86		
1410G02500	25	G 1 1/4	133	1.16		

accessories	page
drain valve made of gunmetal/plastic, figure J7109 173 00	107
insulation shell for MULTI-THERM thermostatic balancing valve, figure 471 11	104
gunmetal sampling valve, figure 187 00	54
Pt 1000 temperature sensor, figure T5100 140 00	111
dial thermometer, figure T5100 150 00	111
union connections	from 99



MULTI-THERM thermostatic balancing valve, FPT, 50 °C - 65 °C, figure 143 00

for hydraulic balancing of hot water return systems (PWH-C), supports thermal disinfection, wetted metal parts made from dezincification-free and corrosion-resistant gunmetal, resistant against aggressive water, isolating unit with temperature sensor pocket, PTFE seat gasket, thermostatic balancing unit, female pipe thread, with plugged drain port, free from dead spots, DVGW approval, SVGW approval, WRAS approval, KIWA approval, plastic parts with KTW and W 270 approval, for systems according to DVGW worksheet W 551 / W 553 / DIN 1988-300, according to accepted materials list from German environmental agency, ÜA-Reg.-Nr. R-15.2.3-21-17048, WIEN-ZERT, control range 50 °C - 65 °C, pressure rating PN 16, max. operating temperature 90 °C

part no.	DN	female thread	length (mm)	shipping weight (kg)		
1430001500	15	Rp 1/2	110	0.69		
1430002000	20	Rp 3/4	123	0.94		
1430002500	25	Rp 1	136	1.19		

accessories	page
drain valve made of gunmetal/plastic, figure J7109 173 00	107
insulation shell for MULTI-THERM thermostatic balancing valve, figure 471 11	104
gunmetal sampling valve, figure 187 00	54
Pt 1000 temperature sensor, figure T5100 140 00	111
dial thermometer, figure T5100 150 00	111



MULTI-THERM thermostatic balancing valve, MAPRESS, 50 °C - 65 °C, figure 143 22

for hydraulic balancing of hot water return systems (PWH-C), supports thermal disinfection, wetted metal parts made from dezincification-free and corrosion-resistant gunmetal, resistant against aggressive water, isolating unit with temperature sensor pocket, PTFE seat gasket, thermostatic balancing unit, press connection for Geberit MAPRESS pipe, with plugged drain port, free from dead spots, DVGW approval, ÖVGW approval, SVGW approval, KIWA approval, plastic parts with KTW and W 270 approval, for systems according to DVGW worksheet W 551 / W 553 / DIN 1988-300, according to accepted materials list from German environmental agency, ÜA-Reg.-Nr. R-15.2.3-21-17048, WIEN-ZERT, control range 50 °C - 65 °C, pressure rating PN 16, max. operating temperature 90 °C

part no.	DN	connection (mm)	length (mm)	shipping weight (kg)		
1432201500	15	15	162	0.79		
1432201800	15	18	164	0.81		
1432202000	20	22	184	1.04		

accessories	page
drain valve made of gunmetal/plastic, figure J7109 173 00	107
insulation shell for MULTI-THERM thermostatic balancing valve, figure 471 11	104
gunmetal sampling valve, figure 187 00	54
Pt 1000 temperature sensor, figure T5100 140 00	111
dial thermometer, figure T5100 150 00	111




MULTI-THERM thermostatic balancing valve, MEPLA, 50 °C - 65 °C, figure 143 40

for hydraulic balancing of hot water return systems (PWH-C), supports thermal disinfection, wetted metal parts made from dezincification-free and corrosion-resistant gunmetal, resistant against aggressive water, isolating unit with temperature sensor pocket, PTFE seat gasket, thermostatic balancing unit, press connection for Geberit MEPLA pipe, with plugged drain port, free from dead spots, DVGW approval, ÖVGW approval, SVGW approval, KIWA approval, plastic parts with KTW and W 270 approval, for systems according to DVGW worksheet W 551 / W 553 / DIN 1988-300, according to accepted materials list from German environmental agency, ÜA-Reg.-Nr. R-15.2.3-21-17048, WIEN-ZERT, control range 50 °C - 65 °C, pressure rating PN 16, max. operating temperature 90 °C

part no.	DN	da x s (mm)	length (mm)	shipping weight (kg)		
1434002600	20	26 x 3.0	187	0.97		

accessories	page
Pt 1000 temperature sensor, figure T5100 140 00	111
dial thermometer, figure T5100 150 00	111



**SST MULTI-THERM thermostatic balancing valve, 50 °C - 65 °C, union thread,
figure 041 0G**

for hydraulic balancing of hot water return systems (PWH-C), supports thermal disinfection, wetted parts made of stainless steel, isolating unit with temperature sensor pocket, EPDM-seat gasket, thermostatic balancing unit, male union thread, with plugged drain port, free from dead spots, DVGW approval, ÖVGW approval, SVGW approval, plastic parts with KTW and W 270 approval, for systems according to DVGW worksheet W 551 / W 553 / DIN 1988-300, according to accepted materials list from German environmental agency, ÚA-Reg.-Nr. R-15.2.3-21-17049, WIEN-ZERT, control range 50 °C - 65 °C, pressure rating PN 16, max. operating temperature 90 °C

part no.	DN	connection	length (mm)	shipping weight (kg)		
0410G01500	15	G 3/4	110	0.61		

accessories	page
insulation shell for MULTI-THERM thermostatic balancing valve, figure 471 11	104
SST sampling valve, figure 087 00	54
drain valve, figure J7120 073 00	107
Pt 1000 temperature sensor, figure T5100 140 00	111
dial thermometer, figure T5100 150 00	111
union connections	from 99



THERM thermostatic balancing valve, union thread, 30 °C - 50 °C, figure 140 0G

for hydraulic balancing of hot water return systems (PWH-C), supports thermal disinfection, wetted metal parts made from dezincification-free and corrosion-resistant gunmetal, resistant against aggressive water, isolating unit with temperature sensor pocket, PTFE seat gasket, thermostatic balancing unit, male union thread, with plugged drain port, free from dead spots, plastic parts with KTW and W 270 approval, according to accepted materials list from German environmental agency, ÜA-Reg.-Nr. R-15.2.3-21-17048, WIEN-ZERT, control range 30 °C - 50 °C, pressure rating PN 16, max. operating temperature 90 °C,

note: no DVGW approval needed because it deviates from DVGW worksheet W 551

part no.	DN	connection	length (mm)	shipping weight (kg)		
1400G01500	15	G 3/4	110	0.69		
1400G02000	20	G 1	123	0.87		
1400G02500	25	G 1 1/4	133	1.14		

accessories	page
drain valve made of gunmetal/plastic, figure J7109 173 00	107
insulation shell for MULTI-THERM thermostatic balancing valve, figure 471 11	104
gunmetal sampling valve, figure 187 00	54
Pt 1000 temperature sensor, figure T5100 140 00	111
dial thermometer, figure T5100 150 00	111
union connections	from 99



THERM thermostatic balancing valve, FPT, 30 °C - 50 °C, figure 142 00

for hydraulic balancing of hot water return systems (PWH-C), supports thermal disinfection, wetted metal parts made from dezincification-free and corrosion-resistant gunmetal, resistant against aggressive water, isolating unit with temperature sensor pocket, PTFE seat gasket, thermostatic balancing unit, female pipe thread, with plugged drain port, free from dead spots, plastic parts with KTW and W 270 approval, according to accepted materials list from German environmental agency, ÜA-Reg.-Nr. R-15.2.3-21-17048, WIEN-ZERT, control range 30 °C - 50 °C, pressure rating PN 16, max. operating temperature 90 °C,

note: no DVGW approval needed because it deviates from DVGW worksheet W 551

part no.	DN	female thread	length (mm)	shipping weight (kg)		
1420001500	15	Rp 1/2	110	0.70		
1420002000	20	Rp 3/4	123	0.92		
1420002500	25	Rp 1	136	1.24		

accessories	page
drain valve made of gunmetal/plastic, figure J7109 173 00	107
insulation shell for MULTI-THERM thermostatic balancing valve, figure 471 11	104
gunmetal sampling valve, figure 187 00	54
Pt 1000 temperature sensor, figure T5100 140 00	111
dial thermometer, figure T5100 150 00	111



ETA-THERM thermostatic balancing valve, union thread, 56 °C - 58 °C, figure 130 0G

for hydraulic balancing of hot water return branches with $k_v\text{-min} \geq 0.05$, for hydraulic balancing of hot water return systems (PWH-C), supports thermal disinfection, wetted metal parts made from dezincification-free and corrosion-resistant gunmetal, resistant against aggressive water, PTFE seat gasket, maintenance-free EPDM spindle seal, thermostatic balancing unit, male union thread, handle grip with purple identification plate, free from dead spots, with isolating, balancing and pre-setting function, DVGW approval, ÖVGW approval, SVGW approval, WRAS approval, plastic parts with KTW and W 270 approval, for systems according to DVGW worksheet W 551 / W 553 / DIN 1988-300, according to accepted materials list from German environmental agency, ÜA-Reg.-Nr. R-15.2.3-21-17048, WIEN-ZERT, control range 56 °C - 58 °C, pressure rating PN 16, max. operating temperature 90 °C

part no.	DN	connection	length (mm)	shipping weight (kg)		
1300G01500	15	G 3/4	86.5	0.53		

accessories	page
insulation shell for UP-PLUS and ETA-THERM valves, figure 471 14	104
union connections	from 99



ETA-THERM thermostatic balancing valve, FPT, 56 °C - 58 °C, figure 131 00

for hydraulic balancing of hot water return branches with $k_v\text{-min} \geq 0.05$, for hydraulic balancing of hot water return systems (PWH-C), supports thermal disinfection, wetted metal parts made from dezincification-free and corrosion-resistant gunmetal, resistant against aggressive water, PTFE seat gasket, maintenance-free EPDM spindle seal, thermostatic balancing unit, female pipe thread, handle grip with purple identification plate, free from dead spots, with isolating, balancing and pre-setting function, DVGW approval, ÖVGW approval, SVGW approval, WRAS approval, plastic parts with KTW and W 270 approval, for systems according to DVGW worksheet W 551 / W 553 / DIN 1988-300, according to accepted materials list from German environmental agency, ÜA-Reg.-Nr. R-15.2.3-21-17048, WIEN-ZERT, control range 56 °C - 58 °C, pressure rating PN 16, max. operating temperature 90 °C

part no.	DN	female thread	length (mm)	shipping weight (kg)		
1310001500	15	Rp 1/2	70	0.47		

accessories	page
insulation shell for UP-PLUS and ETA-THERM valves, figure 471 14	104



UP-ETA-THERM thermostatic balancing valve, for flush-mounted installation, FPT, 56 °C - 58 °C, figure 540 02

for hydraulic balancing of hot water return branches with $k_v\text{-min} \geq 0.05$, for hydraulic balancing of hot water return systems (PWH-C), supports thermal disinfection, wetted metal parts made from dezincification-free and corrosion-resistant gunmetal, resistant against aggressive water, PTFE seat gasket, maintenance-free EPDM spindle seal, thermostatic balancing unit, plastic shaft can be shortened, can be extended with optional extension kit, female pipe thread, chrome-plated cap with allen socket for 6 mm allen key under purple identification plate, free from dead spots, with isolating, balancing and pre-setting function, DVGW approval, ÖVGW approval, SVGW approval, WRAS approval, plastic parts with KTW and W 270 approval, for systems according to DVGW worksheet W 551 / W 553 / DIN 1988-300, according to accepted materials list from German environmental agency, ÜA-Reg.-Nr. R-15.2.3-21-17048, WIEN-ZERT, max. installation depth 110 mm, control range 56 °C - 58 °C, pressure rating PN 16, max. operating temperature 90 °C

part no.	DN	female thread	length (mm)	shipping weight (kg)		
5400201500	15	Rp 1/2	70	0.64		

accessories	page
insulation shell for UP-PLUS and ETA-THERM valves, figure 471 14	104
hexagon socket key, size 19	143
socket wrench, figure B5105 500 00 005	121
fixing set UP-PLUS, figure 597 00	115
UP-PLUS extension set, figure 599 00	116



UP-ETA-THERM thermostatic balancing valve, for flush-mounted installation, 56°C - 58°C, MAPRESS, figure 542 02

for hydraulic balancing of hot water return branches with $kv\text{-min} \geq 0.05$, for hydraulic balancing of hot water return systems (PWH-C), supports thermal disinfection, wetted metal parts made from dezincification-free and corrosion-resistant gunmetal, resistant against aggressive water, PTFE seat gasket, maintenance-free EPDM spindle seal, thermostatic balancing unit, plastic shaft can be shortened, can be extended with optional extension kit, press connection for Geberit MAPRESS pipe, chrome-plated cap with allen socket for 6 mm allen key under purple identification plate, free from dead spots, with isolating, balancing and pre-setting function, DVGW approval, ÖVGW approval, SVGW approval, plastic parts with KTW and W 270 approval, for systems according to DVGW worksheet W 551 / W 553 / DIN 1988-300, according to accepted materials list from German environmental agency, ÜA-Reg.-Nr. R-15.2.3-21-17048, WIEN-ZERT, max. installation depth 110 mm, control range 56 °C - 58 °C, pressure rating PN 16, max. operating temperature 90 °C

part no.	DN	connection (mm)	length (mm)	shipping weight (kg)
5420201500	15	15	151.5	0.86
5420201800	15	18	154	0.89

accessories	page
insulation shell for UP-PLUS and ETA-THERM valves, figure 471 14	104
hexagon socket key, size 19	143
socket wrench, figure B5105 500 00 005	121
fixing set UP-PLUS, figure 597 00	115
UP-PLUS extension set, figure 599 00	116



UP-ETA-THERM thermostatic balancing valve, for flush-mounted installation, 56°C - 58°C, San/Profipress, figure 544 02

for hydraulic balancing of hot water return branches with $kv\text{-min} \geq 0.05$, for hydraulic balancing of hot water return systems (PWH-C), supports thermal disinfection, wetted metal parts made from dezincification-free and corrosion-resistant gunmetal, resistant against aggressive water, PTFE seat gasket, maintenance-free EPDM spindle seal, thermostatic balancing unit, plastic shaft can be shortened, can be extended with optional extension kit, press connection for Viega SANPRESS SST pipe and PROFIPRESS copper pipe, chrome-plated cap with allen socket for 6 mm allen key under purple identification plate, free from dead spots, with isolating, balancing and pre-setting function, DVGW approval, ÖVGW approval, SVGW approval, WRAS approval, plastic parts with KTW and W 270 approval, for systems according to DVGW worksheet W 551 / W 553 / DIN 1988-300, according to accepted materials list from German environmental agency, ÜA-Reg.-Nr. R-15.2.3-21-17048, WIEN-ZERT, max. installation depth 110 mm, control range 56 °C - 58 °C, pressure rating PN 16, max. operating temperature 90 °C

part no.	DN	connection (mm)	length (mm)	shipping weight (kg)
5440201500	15	15	134	0.77

accessories	page
insulation shell for UP-PLUS and ETA-THERM valves, figure 471 14	104
hexagon socket key, size 19	143
socket wrench, figure B5105 500 00 005	121
fixing set UP-PLUS, figure 597 00	115
UP-PLUS extension set, figure 599 00	116



ETA-THERM thermostatic balancing valve, union thread, 62°C - 64°C, figure 134 0G

for hydraulic balancing of hot water return branches with $k_v\text{-min} \geq 0.05$, for hydraulic balancing of hot water return systems (PWH-C), supports thermal disinfection, wetted metal parts made from dezincification-free and corrosion-resistant gunmetal, resistant against aggressive water, PTFE seat gasket, maintenance-free EPDM spindle seal, thermostatic balancing unit, male union thread, handle grip with purple identification plate, free from dead spots, with isolating, balancing and pre-setting function, DVGW approval, ÖVGW approval, SVGW approval, plastic parts with KTW and W 270 approval, for systems according to DVGW worksheet W 551 / W 553 / DIN 1988-300, according to accepted materials list from German environmental agency, ÜA-Reg.-Nr. R-15.2.3-21-17048, WIEN-ZERT, control range 62 °C - 64 °C, pressure rating PN 16, max. operating temperature 90 °C

part no.	DN	connection	length (mm)	shipping weight (kg)		
1340G01500	15	G 3/4	86.5	0.52		

accessories	page
insulation shell for UP-PLUS and ETA-THERM valves, figure 471 14	104
union connections	from 99



ETA-THERM thermostatic balancing valve, FPT, 62 °C - 64 °C, figure 136 00

for hydraulic balancing of hot water return branches with $k_v\text{-min} \geq 0.05$, for hydraulic balancing of hot water return systems (PWH-C), supports thermal disinfection, wetted metal parts made from dezincification-free and corrosion-resistant gunmetal, resistant against aggressive water, PTFE seat gasket, maintenance-free EPDM spindle seal, thermostatic balancing unit, female pipe thread, handle grip with purple identification plate, free from dead spots, with isolating, balancing and pre-setting function, DVGW approval, ÖVGW approval, SVGW approval, plastic parts with KTW and W 270 approval, for systems according to DVGW worksheet W 551 / W 553 / DIN 1988-300, according to accepted materials list from German environmental agency, ÜA-Reg.-Nr. R-15.2.3-21-17048, WIEN-ZERT, control range 62 °C - 64 °C, pressure rating PN 16, max. operating temperature 90 °C

part no.	DN	female thread	length (mm)	shipping weight (kg)		
1360001500	15	Rp 1/2	70	0.47		

accessories	page
insulation shell for UP-PLUS and ETA-THERM valves, figure 471 14	104



UP-ETA-THERM thermostatic balancing valve, for flush-mounted installation, 62 °C - 64 °C, FPT, figure 540 62

for hydraulic balancing of hot water return branches with $k_v\text{-min} \geq 0.05$, for hydraulic balancing of hot water return systems (PWH-C), supports thermal disinfection, wetted metal parts made from dezincification-free and corrosion-resistant gunmetal, resistant against aggressive water, PTFE seat gasket, maintenance-free EPDM spindle seal, thermostatic balancing unit, plastic shaft can be shortened, can be extended with optional extension kit, female pipe thread, chrome-plated cap with allen socket for 6 mm allen key under purple identification plate, free from dead spots, with isolating, balancing and pre-setting function, DVGW approval, ÖVGW approval, SVGW approval, plastic parts with KTW and W 270 approval, for systems according to DVGW worksheet W 551 / W 553 / DIN 1988-300, according to accepted materials list from German environmental agency, ÜA-Reg.-Nr. R-15.2.3-21-17048, WIEN-ZERT, max. installation depth 110 mm, control range 62 °C - 64 °C, pressure rating PN 16, max. operating temperature 90 °C

part no.	DN	female thread	length (mm)	shipping weight (kg)		
5406201500	15	Rp 1/2	70	0.64		

accessories	page
insulation shell for UP-PLUS and ETA-THERM valves, figure 471 14	104
hexagon socket key, size 19	143
socket wrench, figure B5105 500 00 005	121
fixing set UP-PLUS, figure 597 00	115
UP-PLUS extension set, figure 599 00	116



MULTI-FIX-PLUS static balancing valve, union thread, figure 150 6G

for hydraulic balancing of hot water return systems (PWH-C), wetted metal parts made from dezincification-free and corrosion-resistant gunmetal, resistant against aggressive water, PTFE seat gasket, maintenance-free spindle gasket with self-lubricating EPDM lip gasket, male union thread, with plugged drain port, incl. thermometer, with pocket for temperature sensor Pt1000, free from dead spots, keeps throttle pre-setting when valve is closed and opened, with indicator for pre-setting, DVGW approval, ÖVGW approval, SVGW approval, WRAS approval, KIWA approval, plastic parts with KTW and W 270 approval, for systems according to DVGW worksheet W 551 / W 553 / DIN 1988-300, according to accepted materials list from German environmental agency, DIN EN 1213, ÜA-Reg.-Nr. R-15.2.3-21-17048, WIEN-ZERT, pressure rating PN 16, max. operating temperature 100 °C

part no.	DN	connection	length (mm)	shipping weight (kg)		
1506G01500	15	G 3/4	70	0.57		
1506G02000	20	G 1	78.5	0.76		
1506G02500	25	G 1 1/4	97	1.02		
1506G03200	32	G 1 1/2	110	1.39		
1506G04000	40	G 1 3/4	130	1.80		
1506G05000	50	G 2 3/8	145	2.64		

accessories	page
drain valve made of gunmetal/plastic, figure J7109 173 00	107
insulation shell for MULTI-FIX-PLUS static balancing valve, as of 01/2017, figure 471 26	104
gunmetal sampling valve, figure 187 00	54
Pt 1000 temperature sensor, figure T5100 140 00	111
union connections	from 99




MULTI-FIX-PLUS static balancing valve, FPT, figure 151 06

for hydraulic balancing of hot water return systems (PWH-C), wetted metal parts made from dezincification-free and corrosion-resistant gunmetal, resistant against aggressive water, PTFE seat gasket, maintenance-free spindle gasket with self-lubricating EPDM lip gasket, female pipe thread, with plugged drain port, incl. thermometer, with pocket for temperature sensor Pt1000, free from dead spots, keeps throttle pre-setting when valve is closed and opened, with indicator for pre-setting, DVGW approval, ÖVGW approval, SVGW approval, WRAS approval, KIWA approval, plastic parts with KTW and W 270 approval, for systems according to DVGW worksheet W 551 / W 553 / DIN 1988-300, according to accepted materials list from German environmental agency, DIN EN 1213, ÜA-Reg.-Nr. R-15.2.3-21-17048, WIEN-ZERT, pressure rating PN 16, max. operating temperature 100 °C

part no.	DN	female thread	length (mm)	shipping weight (kg)		
1510601500	15	Rp 1/2	65	0.59		
1510602000	20	Rp 3/4	75	0.77		
1510602500	25	Rp 1	90	1.01		
1510603200	32	Rp 1 1/4	110	1.47		

accessories	page
drain valve made of gunmetal/plastic, figure J7109 173 00	107
insulation shell for MULTI-FIX-PLUS static balancing valve, as of 01/2017, figure 471 26	104
gunmetal sampling valve, figure 187 00	54
Pt 1000 temperature sensor, figure T5100 140 00	111



SST throttle valve, union thread, figure 078 0G

for hydraulic balancing of hot water return systems (PWH-C), wetted parts made of stainless steel, maintenance-free spindle gasket with self-lubricating EPDM lip gasket, EPDM-seat gasket, male union thread, free from dead spots, with a black handwheel, keeps throttle pre-setting when valve is closed and opened, indication of pre-setting on bracket, without drain port (drain valve cannot be added), Open position indicator, wear-resistant stainless steel valve seat, DVGW approval, SVGW approval, plastic parts with KTW and W 270 approval, according to accepted materials list from German environmental agency, up to DN 32 soundproofing certification according to DIN EN ISO 3822 Class 2, DIN EN 1213, ÜA-Reg.-Nr. R-15.2.3-21-17049, WIEN-ZERT, pressure rating PN 16, max. operating temperature 110 °C

part no.	DN	connection	length (mm)	shipping weight (kg)		
0780G01500	15	G 3/4	70	0.56		
0780G02000	20	G 1	78.5	0.71		
0780G02500	25	G 1 1/4	97	1.16		
0780G03200	32	G 1 1/2	110	1.52		

accessories	page
insulation shell for inclined stop valves, figure 471 10	104
union connections	from 99



SST throttle valve, with drain valve, union thread, figure 078 1G

for hydraulic balancing of hot water return systems (PWH-C), wetted parts made of stainless steel, maintenance-free spindle gasket with self-lubricating EPDM lip gasket, EPDM-seat gasket, male union thread, free from dead spots, with a black handwheel, keeps throttle pre-setting when valve is closed and opened, indication of pre-setting on bracket, with sidewise drain valve, rotatable hose connection element G 3/4, Open position indicator, wear-resistant stainless steel valve seat, DVGW approval, SVGW approval, plastic parts with KTW and W 270 approval, according to accepted materials list from German environmental agency, up to DN 32 soundproofing certification according to DIN EN ISO 3822 Class 2, DIN EN 1213, ÜA-Reg.-Nr. R-15.2.3-21-17049, WIEN-ZERT, pressure rating PN 16, max. operating temperature 110 °C

part no.	DN	connection	length (mm)	shipping weight (kg)		
0781G01500	15	G 3/4	70	0.65		
0781G02000	20	G 1	78.5	0.82		
0781G02500	25	G 1 1/4	97	1.20		
0781G03200	32	G 1 1/2	110	1.60		

accessories	page
insulation shell for inclined stop valves, figure 471 10	104
SST sampling valve, figure 087 00	54
union connections	from 99



thermal separator, figure 550 01

to avoid heat transmission from drinking water hot (PWH) to drinking water cold (PWC) in mixing taps, mounting block foamed in pressure and tensile PU hard foam, wetted metal parts made from dezincification-free and corrosion-resistant gunmetal, resistant against aggressive water, ready to install, suitable for all standard pre-wall elements, soundproofed, divisible for different depth gauges, female pipe thread, connections in accordance with DVGW W534, plastic parts with KTW and W 270 approval, according to accepted materials list from German environmental agency, to meet the requirements of EnEV 2014, building material class B2 according to DIN 4102, DIN 50930-6, ÜA-Reg.-Nr. R-15.2.3-21-17048, WIEN-ZERT, inside micrometer 150 mm, pressure rating PN 10, max. operating temperature 70 °C, short-term peak temperature 95 °C

part no.	DN	female thread	shipping weight (kg)		
5500101500	15	Rp 1/2	1.28		

- STOP VALVES
- SAFETY VALVES
- PRVs / FILTER
- REGULATING VALVES
- MEASURING VALVES
- SAMPLING VALVES
- FLUSH MOUNTED VALVES
- WATER METER
- OUTDOOR TAP
- TRESOR
- OTHER
- KHS
- ACCESSORIES
- SPARE PARTS



CONTROL-PLUS flow and temperature sensor, Hz signal, union thread, figure 138 4G

frequency output signal, for the accurate measurement of flow rates and temperatures in drinking water systems, wetted metal parts made from dezincification-free and corrosion-resistant gunmetal, resistant against aggressive water, sensor housing for low pressure loss, up to 50% of measuring range: divergence max. 1% of full-scale reading, from 50% of measuring range: deviation max. 2% of measured value, for connection to the KHS control systems, male union thread, free from dead spots, with vortex flow sensor that includes a 2-wire Pt1000, 5-pin M12x1 interface, readout and display of values via additional available KHS potable measuring instrument, WRAS approval, plastic parts with KTW and W 270 approval, according to accepted materials list from German environmental agency, ÜA-Reg.-Nr. R-15.2.3-21-17048, WIEN-ZERT, pressure rating PN 10, min. flow velocity 0.2 m/s, max. flow velocity 2.5 m/s, min. operating temperature 0 °C, max. operating temperature 100 °C, protection class IP65, power supply 5 V DC,

note: optional cable M12x1 required for connection to KHS control systems, DN 10 is recommended for use with flow limiter 2 l/min

part no.	DN	connection	measurement range (l/min)	length (mm)	shipping weight (kg)		
1384G01000	10	G 3/4	0.9 - 15	65	0.31		
1384G01500	15	G 3/4	1.8 - 32	65	0.29		
1384G02500	25	G 1 1/4	5 - 85	86	0.52		
1384G03200	32	G 1 1/2	9 - 150	109	0.70		
1384G04000	40	G 1 3/4	11 - 188	109	0.89		
1384G05000	50	G 2 3/8	18 - 316	113	1.33		

accessories	page
insulation shell for quarter turn stop valves and CONTROL-PLUS sensors, figure 471 19	105
CONTROL-PLUS hand-held measuring device for sensors, figure 138 00 002	52
sensor measuring module, figure 138 00 011	53
M12x1 cable with loose litz wires, figure 138 00 012	51
union connections	from 99



CONTROL-PLUS flow and temperature sensor, 4 - 20 mA signal, union thread, figure 138 6G

standard industrial signal (4 to 20 mA), for the accurate measurement of flow rates and temperatures in drinking water systems, wetted metal parts made from dezincification-free and corrosion-resistant gunmetal, resistant against aggressive water, sensor housing for low pressure loss, up to 50% of measuring range: divergence max. 1% of full-scale reading, from 50% of measuring range: deviation max. 2% of measured value, for connection to the building management system (BMS), male union thread, free from dead spots, with vortex flow sensor that includes a 2-wire Pt1000, 5-pin M12x1 interface, WRAS approval, plastic parts with KTW and W 270 approval, according to accepted materials list from German environmental agency, ÚA-Reg.-Nr. R-15.2.3-21-17048, WIEN-ZERT, pressure rating PN 10, min. flow velocity 0.2 m/s, max. flow velocity 2.5 m/s, min. operating temperature 0 °C, max. operating temperature 100 °C, protection class IP65, power supply 8...33 V DC,

note: incl. M12x1 cable with loose litz wires, DN 10 is recommended for use with flow limiter 2 l/min

part no.	DN	connection	measurement range (l/min)	length (mm)	shipping weight (kg)		
1386G01000	10	G 3/4	0.9 - 15	65	0.36		
1386G01500	15	G 3/4	1.8 - 32	65	0.35		
1386G02000	20	G 1	3.5 - 50	75	0.31		
1386G02500	25	G 1 1/4	5 - 85	86	0.57		
1386G03200	32	G 1 1/2	9 - 150	109	0.74		
1386G04000	40	G 1 3/4	11 - 188	109	0.94		
1386G05000	50	G 2 3/8	18 - 316	113	1.37		

accessories	page
insulation shell for quarter turn stop valves and CONTROL-PLUS sensors, figure 471 19	105
union connections	from 99



M12x1 cable with loose litz wires, figure 138 00 012

to connect measuring valve figure 138 4G or 638 4G to BMS, KHS LOGIC Control System or KHS Mini Control System, or to connect the pressure measuring valve figure 138 00 008 to BMS, possible evaluation of flow and temperature via frequency input 5 VDC, 10 - 450 Hz or Pt1000 2 wire input, 5 VDC BMS-power supply to sensor, connection cable for data logging with KHS LOGIC Control System or KHS Mini Control System, cable length 1 m

part no.	shipping weight (kg)
1380001200	0.07



Pt 1000 temperature sensor, figure T5100 140 00

temperature sensor for connection to BMS, temperature range 0 - 100 °C, four-wire technology, tolerance class A, for insertion in the isolating unit of the MULTI-THERM circulation balancing valve, the measuring nozzles of the MULTI-FIX-PLUS circulation balancing valve and the measuring nozzles of the MULTI T-PIECE, for all dimensions, can be used for all valves with frontal drain opening in combination with drain valve with immersion sleeve (part no. J71091500000600), pressure rating PN 16, min. operating temperature 0 °C, max. operating temperature 100 °C, protection class IP67

part no.	shipping weight (kg)
T510014000003KP	0.10



Multi-T adapter, union thread, figure 128 0G

wetted metal parts made from dezincification-free and corrosion-resistant gunmetal, resistant against aggressive water, plugged port for optional installation of a drain- or sampling valve, 9mm immersion sleeve for thermometer or Pt1000, G 1/4 for assembly of a sampling valve or a drain valve, full bore, male union thread, free from dead spots, for any installation position, according to accepted materials list from German environmental agency, EN ISO 228, ÜA-Reg.-Nr. R-15.2.3-21-17048, WIEN-ZERT, pressure rating PN 16, max. operating temperature 90 °C

part no.	DN	connection	length (mm)	shipping weight (kg)		
1280G01500	15	G 3/4	65	0.29		
1280G02000	20	G 1	67	0.35		
1280G02500	25	G 1 1/4	72	0.49		
1280G03200	32	G 1 1/2	77	0.55		
1280G04000	40	G 1 3/4	82	0.63		
1280G05000	50	G 2 3/8	90	1.00		

accessories	page
drain valve made of gunmetal/plastic, figure J7109 173 00	107
insulation shell for MULTI T-PIECE, figure 471 28	105
gunmetal sampling valve, figure 187 00	54
Pt 1000 temperature sensor, figure T5100 140 00	111
dial thermometer, figure T5100 150 00	111
union connections	from 99



CONTROL-PLUS hand-held measuring device for sensors, figure 138 00 002

to be used in combination with KEMPER flow and temperature sensors for analysis, documentation and adjustment of operating conditions of water installations, for connection to flow sensor figure 138 4G, 5 V DC supply from potable measuring instrument, for connection to flow sensor figure 638 4G, 5 V DC supply from potable measuring instrument, measuring input for temperature sensors figure 628 0G and 629 0G, Pt 100 measuring input, log file downloadable to PC via USB, including integrated battery, USB cable, USB power pack 230 V / 5 V, cable to connect to measuring module figure 138 00 011, velocity can be displayed in m/s, m/min, can be connected to PC, temperature can be displayed in K, °C, °F, flow can be displayed in l/s, l/min, l/h, m³/h, kg/h, log file for max. 4000 reading points, display with background light, 5VDC / 4-20mA (0-20mA) / 0-10V, protection class IP65, power supply 5 V DC, length of connection cable 2 m

part no.	shipping weight (kg)		
1380000200	0.77		



pressure sensor, figure 138 00 006

to measure the pressure in drinking water installations, for connection to CONTROL-PLUS potable measuring instrument (Part No. 1380000200) via optional cable (Part No. 1380001600), can be connected to BMS via optional cable (Part No. 1380001200), pressure rating PN 16, min. operating temperature -40 °C, max. operating temperature 125 °C, min. ambient temperature -30 °C, max. ambient temperature 85 °C, protection class IP67, measurement range 0-1 MPa, output signal 4...20 mA

part no.	DN	shipping weight (kg)		
1380000600	8	0.11		



/// cable for pressure sensor, figure 138 00 016

for connection of the KEMPER Pressure Sensor to the CONTROL-PLUS potable measuring instrument, connection cable length 2 m, measurement range 0-1 MPa

part no.	shipping weight (kg)
1380001600	0.12



/// hand-held temperature sensor, figure 138 00 003

to measure water temperatures, especially outlet water temperatures of plumbing installations, with Pt1000 sensor element, temperature range 0 °C - 150 °C, length of measuring element 150 mm, cable length 1 m, with 9 pin coded SUB-D socket, for easy connection to CONTROL-PLUS potable measuring instrument (Part No. 1380000200), fast reacting sensor for detection of temperature fluctuations, protection class IP63

part no.	shipping weight (kg)
1380000300	0.16



/// CONTROL-PLUS plug-in temperature sensor, figure 138 00 004

for easy connection to CONTROL-PLUS potable measuring instrument (Part No. 1380000200), two-wire technology, with 9 pin coded SUB-D socket, suitable for immersion sleeves at KEMPER MULTI-THERM, MULTI-FIX valves and MULTI-T adapter, for all dimensions, protection class IP67, length of connection cable 2 m, working temperature range 0 -100 °C

part no.	shipping weight (kg)
1380000400	0.11



/// sensor measuring module, figure 138 00 011

for quick and easy readout of unaccessible sensors via CONTROL-PLUS potable measuring instrument, suitable for connecting the measuring valves and components, figures 138 4G, 138 00 006, 628 0G, T5100 140 00, suitable for wall assembly

part no.	shipping weight (kg)
1380001100	0.18



gunmetal sampling valve, figure 187 00

to sample drinking water and determine microbiological parameters according to the German TrinkwV drinking-water regulation, wetted metal parts made from dezincification-free and corrosion-resistant gunmetal, resistant against aggressive water, sampling pipe can be disinfected by flame, triangular key against unauthorised removal of water, valve body and sampling pipe can be rotated 360°, PTFE seat gasket, can be attached to all Kemper valves with test/drain-port, valve is operated with three-square socket wrench (included), free from dead spots, for any installation position, DVGW approval, plastic parts with KTW and W 270 approval, according to accepted materials list from German environmental agency, pressure rating PN 16, max. operating temperature 90 °C

part no.	DN	for DN	for flanged valves DN	shipping weight (kg)		
1870000600	8	15-50	15-25	0.23		
1870001000	10	65-150	32-150	0.23		



SST sampling valve, figure 087 00

to sample drinking water and determine microbiological parameters according to the German TrinkwV drinking-water regulation, wetted parts made of stainless steel, sampling pipe can be disinfected by flame, valve body and sampling pipe can be rotated 360°, can be attached to all Kemper valves with test/drain-port, valve is operated with 5 mm allen key (not in package), free from dead spots, for any installation position, incl. Allen key, DVGW approval, plastic parts with KTW and W 270 approval, according to accepted materials list from German environmental agency, pressure rating PN 16, max. operating temperature 90 °C

part no.	DN	for DN	for flanged valves DN	shipping weight (kg)		
0870000600	8	15-50	15-25	0.23		
0870001000	10	65-150	32-150	0.24		



sampling valve for connection to angle stop valve, figure 188 00

to sample drinking water and determine microbiological parameters according to the German TrinkwV drinking-water regulation, for simple retrofitting at the output of the angle valve, suitable for angle valves with 10 mm outlet compression connection, sampling pipe can be disinfected by flame, valve completely chrome-plated, PTFE seat gasket, inlet 10 x 1.25 pipe, outlet G3/8 male thread with compression nut for 10 mm pipe, valve is operated with 5 mm allen key (not in package), made of brass, nickel plated, free from dead spots, incl. Allen key, DVGW approval, plastic parts with KTW and W 270 approval, according to accepted materials list from German environmental agency, DIN 50930-6, pressure rating PN 10, max. operating temperature 90 °C

part no.	shipping weight (kg)
1880001000	0.29



sampling valve with CV for connection to angle stop valve, figure 188 01

to sample drinking water and determine microbiological parameters according to the German TrinkwV drinking-water regulation, for simple retrofitting at the output of the angle valve, suitable for angle valves with 10 mm outlet compression connection, sampling pipe can be disinfected by flame, valve completely chrome-plated, PTFE seat gasket, inlet 10 x 1.25 pipe, outlet G3/8 male thread with compression nut for 10 mm pipe, with integrated check cartridge type EB acc. EN 1717, valve is operated with 5 mm allen key (not in package), made of brass, nickel plated, free from dead spots, incl. Allen key, DVGW approval, plastic parts with KTW and W 270 approval, according to accepted materials list from German environmental agency, DIN 50930-6, pressure rating PN 10, max. operating temperature 90 °C

part no.	shipping weight (kg)
1880101000	0.30



UP-PLUS flush-mounted stop valve, FPT, figure 560 01

wetted metal parts made from dezincification-free and corrosion-resistant gunmetal, resistant against aggressive water, maintenance-free EPDM spindle seal, EPDM-seat gasket, stainless steel cone, plastic shaft can be shortened, can be extended with optional extension kit, female pipe thread, free from dead spots, with isolating, balancing and pre-setting function, DVGW approval, plastic parts with KTW and W 270 approval, according to accepted materials list from German environmental agency, soundproofing certification according to DIN EN ISO 3822 Class 1, DIN EN 1213, ÜA-Reg.-Nr. R-15.2.3-21-17048, WIEN-ZERT, max. installation depth 110 mm, pressure rating PN 16, max. operating temperature 100 °C

part no.	DN	female thread	length (mm)	shipping weight (kg)		
5600101500	15	Rp 1/2	80	0.56		
5600102000	20	Rp 3/4	90	0.62		
5600102500	25	Rp 1	120	1.14		
5600103200	32	Rp 1 1/4	124	1.33		

accessories	page
insulation shell for UP-PLUS and ETA-THERM valves, figure 471 14	104
tubular box spanner, size 17/18, 550 mm	143
socket wrench, figure B5105 500 00 005	121
handle for flush-mounted valves, figure 590 00	115
operating cover for flush-mounted valves, figure 591 00	115
fixing set UP-PLUS, figure 597 00	115
UP-PLUS extension set, figure 599 00	116



UP-PLUS flush-mounted stop valve, MAPRESS, figure 560 22

wetted metal parts made from dezincification-free and corrosion-resistant gunmetal, resistant against aggressive water, maintenance-free EPDM spindle seal, EPDM-seat gasket, stainless steel cone, plastic shaft can be shortened, can be extended with optional extension kit, press connection for Geberit MAPRESS pipe, free from dead spots, with isolating, balancing and pre-setting function, DVGW approval, plastic parts with KTW and W 270 approval, according to accepted materials list from German environmental agency, soundproofing certification according to DIN EN ISO 3822 Class 1, DIN EN 1213, ÜA-Reg.-Nr. R-15.2.3-21-17048, WIEN-ZERT, max. installation depth 110 mm, pressure rating PN 16, max. operating temperature 100 °C

part no.	DN	connection (mm)	length (mm)	shipping weight (kg)		
5602201500	15	15	140	0.71		
5602201800	15	18	140	0.70		
5602202000	20	22	145	0.74		
5602202500	25	28	180	1.34		

accessories	page
insulation shell for UP-PLUS and ETA-THERM valves, figure 471 14	104
tubular box spanner, size 17/18, 550 mm	143
socket wrench, figure B5105 500 00 005	121
handle for flush-mounted valves, figure 590 00	115
operating cover for flush-mounted valves, figure 591 00	115
fixing set UP-PLUS, figure 597 00	115
UP-PLUS extension set, figure 599 00	116



UP-PLUS flush-mounted stop valve, SANPRESS/PROFIPRESS, figure 560 06

wetted metal parts made from dezincification-free and corrosion-resistant gunmetal, resistant against aggressive water, maintenance-free EPDM spindle seal, EPDM-seat gasket, stainless steel cone, plastic shaft can be shortened, can be extended with optional extension kit, press connection for Viega SANPRESS SST pipe and PROFIPRESS copper pipe, free from dead spots, with isolating, balancing and pre-setting function, DVGW approval, plastic parts with KTW and W 270 approval, according to accepted materials list from German environmental agency, soundproofing certification according to DIN EN ISO 3822 Class 1, DIN EN 1213, ÚA-Reg.-Nr. R-15.2.3-21-17048, WIEN-ZERT, max. installation depth 110 mm, pressure rating PN 16, max. operating temperature 100 °C

part no.	DN	connection (mm)	length (mm)	shipping weight (kg)		
5600601500	15	15	140	0.65		
5600601800	15	18	142	0.62		
5600602000	20	22	153	0.73		
5600602500	25	28	180	1.20		

accessories

	page
insulation shell for UP-PLUS and ETA-THERM valves, figure 471 14	104
tubular box spanner, size 17/18, 550 mm	143
socket wrench, figure B5105 500 00 005	121
handle for flush-mounted valves, figure 590 00	115
operating cover for flush-mounted valves, figure 591 00	115
fixing set UP-PLUS, figure 597 00	115
UP-PLUS extension set, figure 599 00	116



UP quarter turn stop valve for flush-mounted installation, FPT, figure 585 00

wetted metal parts made from dezincification-free and corrosion-resistant gunmetal, resistant against aggressive water, low pressure loss, maintenance-free EPDM spindle seal, plastic shaft can be shortened, can be extended with optional extension kit, female pipe thread, removable inner top part TOP-ENTRY, with EPDM gasket body and gunmetal ball, free from dead spots, DVGW approval, WRAS approval, plastic parts with KTW and W 270 approval, according to DVGW worksheet W 570, according to accepted materials list from German environmental agency, soundproofing certification according to DIN EN ISO 3822 Class 1, DIN EN 1213/ DIN EN 13828, ÚA-Reg.-Nr. R-15.2.3-21-17048, WIEN-ZERT, max. installation depth 110 mm, pressure rating PN 16, max. operating temperature 90 °C,

note: for use in combination with DN 25 handle set

part no.	DN	female thread	length (mm)	shipping weight (kg)		
5850001500	15	Rp 1/2	84	0.54		
5850002000	20	Rp 3/4	90	0.62		
5850002500	25	Rp 1	99	0.93		

accessories

	page
insulation shell for quarter turn stop valves and CONTROL-PLUS sensors, figure 471 19	105
socket wrench, figure B5105 500 00 005	121
handle for flush-mounted valves, figure 590 00	115
operating cover for flush-mounted valves, figure 591 00	115
fixing set UP-PLUS, figure 597 00	115
UP-PLUS extension set, figure 599 00	116



stop valve, FPT, figure 560 31


wetted metal parts made from dezincification-free and corrosion-resistant gunmetal, resistant against aggressive water, installation, e.g. in access flaps or for flush mounted installation, maintenance-free EPDM spindle seal, EPDM-seat gasket, stainless steel cone, female pipe thread, handle with blue or red dot for identification, free from dead spots, DVGW approval, plastic parts with KTW and W 270 approval, according to accepted materials list from German environmental agency, according to soundproofing regulations, ÜA-Reg.-Nr. R-15.2.3-21-17048, WIEN-ZERT, pressure rating PN 16, max. operating temperature 100 °C

part no.	DN	female thread	length (mm)	shipping weight (kg)		
5603101500	15	Rp 1/2	80	0.46		
5603102000	20	Rp 3/4	90	0.51		

accessories**page**

insulation shell for UP-PLUS and ETA-THERM valves, figure 471 14

104



UP-PLUS flush-mounted stop valve for combination with sub-water meter, figure 563 02

wetted metal parts made from dezincification-free and corrosion-resistant gunmetal, resistant against aggressive water, maintenance-free EPDM spindle seal, EPDM-seat gasket, stainless steel cone, plastic shaft can be shortened, inlet female pipe thread, outlet male pipe thread with stabilizing path, free from dead spots, with isolating, balancing and pre-setting function, DVGW approval, SVGW approval, plastic parts with KTW and W 270 approval, according to accepted materials list from German environmental agency, up to DN 32 soundproofing certification according to DIN EN ISO 3822 Class 1, DIN EN 1213, ÜA-Reg.-Nr. R-15.2.3-21-17048, WIEN-ZERT, inside micrometer 110 mm, max. installation depth 110 mm, pressure rating PN 16, max. operating temperature 100 °C

part no.	DN	length (mm)	shipping weight (kg)		
5630202000	20	135	0.67		

accessories**page**

insulation shell for UP-PLUS and ETA-THERM valves, figure 471 14

104

tubular box spanner, size 17/18, 550 mm

143

socket wrench, figure B5105 500 00 005

121

handle for flush-mounted valves, figure 590 00

115

operating cover for flush-mounted valves, figure 591 00

115

fixing set UP-PLUS, figure 597 00

115

UP-PLUS extension set, figure 599 00

116


angled stop valve, FPT/union nut, figure 860 05

wetted metal parts made from dezincification-free and corrosion-resistant gunmetal, resistant against aggressive water, suitable for access door installation or flush mounted installation, maintenance-free EPDM spindle seal, EPDM-seat gasket, stainless steel cone, inlet female thread, output coupling nut, gunmetal inner top part, handle with blue or red dot for identification, free from dead spots, DVGW approval, plastic parts with KTW and W 270 approval, according to accepted materials list from German environmental agency, up to DN 32 soundproofing certification according to DIN EN ISO 3822 Class 1, DIN EN 1213, ÜA-Reg.-Nr. R-15.2.3-21-17048, WIEN-ZERT, pressure rating PN 16, max. operating temperature 100 °C

part no.	DN	female thread	connection	length (mm)	shipping weight (kg)		
8600502000	20	Rp 3/4	G 3/4	46	0.44		



RG120-DUO water meter mounting block, G2 coax., figure 854 07

wetted metal parts made from dezincification-free and corrosion-resistant gunmetal, resistant against aggressive water, housing with G 2 coaxial thread for meter cartridges, consisting of two flush-mounted valves and water meter housings with plaster work protectors, installation depth variable within the installation dimensions of the water meter, divisible into two RG120 MONO blocks, for installation of a cold and hot water, of two one-piece cast water meter sections, maintenance-free EPDM spindle seal, female pipe thread, free from dead spots, with fold out mounting lugs, mounting block foamed in pressure and tensile PU hard foam, flush-mounted UP valve(s) DVGW approval, plastic parts with KTW and W 270 approval, according to accepted materials list from German environmental agency, flush-mounted valve with soundproofing certificate according to DIN EN ISO 3822 Class 1, to meet the requirements of EnEV 2014, building material class B2 according to DIN 4102, CE marking, ÜA-Reg.-Nr. R-15.2.3-21-17048, WIEN-ZERT, inside micrometer 120 mm, pressure rating PN 10, max. operating temperature 70 °C, short-term peak temperature 95 °C

part no.	DN	female thread	length (mm)	shipping weight (kg)		
8540702000	20	Rp 3/4	236	3.04		

accessories	page
RG120 grip top die-cast zinc set-up dimensions to 32 mm, figure 596 11	117
RG120 grip top die-cast zinc set-up dimensions 30 mm to 110 mm, figure 596 12	117
RG120 change stopper including extension for set-up dimensions to 110 mm, figure 596 15	117
RG120 grip top plastic set-up dimensions up to 32 mm, figure 596 16	117
RG120 grip-top plastic, set-up dimensions 30 mm to 110 mm, figure 596 17	117
cap for stop valve water meter combinations and mounting blocks, figure 855 00 002	118



RG120-DUO water meter mounting block TECEM, figure 854 05

wetted metal parts made from dezincification-free and corrosion-resistant gunmetal, resistant against aggressive water, for Techem water meter cartridges, consisting of two flush-mounted valves and water meter housings with plaster work protectors, installation depth variable within the installation dimensions of the water meter, divisible into two RG120 MONO blocks, for installation of a cold and hot water, as a one-piece cast water meter section, maintenance-free EPDM spindle seal, female pipe thread, free from dead spots, with fold out mounting lugs, mounting block foamed in pressure and tensile PU hard foam, flush-mounted UP valve(s) DVGW approval, plastic parts with KTW and W 270 approval, according to accepted materials list from German environmental agency, flush-mounted valve with soundproofing certificate according to DIN EN ISO 3822 Class 1, to meet the requirements of EnEV 2014, building material class B2 according to DIN 4102, CE marking, ÜA-Reg.-Nr. R-15.2.3-21-17048, WIEN-ZERT, inside micrometer 120 mm, pressure rating PN 10, max. operating temperature 70 °C, short-term peak temperature 95 °C

part no.	DN	female thread	length (mm)	shipping weight (kg)		
8540502000	20	Rp 3/4	236	3.14		

accessories	page
RG120 grip top die-cast zinc set-up dimensions to 32 mm, figure 596 11	117
RG120 grip top die-cast zinc set-up dimensions 30 mm to 110 mm, figure 596 12	117
RG120 change stopper including extension for set-up dimensions to 110 mm, figure 596 15	117
RG120 grip top plastic set-up dimensions up to 32 mm, figure 596 16	117
RG120 grip-top plastic, set-up dimensions 30 mm to 110 mm, figure 596 17	117
cap for stop valve water meter combinations and mounting blocks, figure 855 00 002	118



RG120-DUO water meter mounting block BRUNATA, figure 854 02

wetted metal parts made from dezincification-free and corrosion-resistant gunmetal, resistant against aggressive water, for Brunata water meter cartridges, consisting of two flush-mounted valves and water meter housings with plaster work protectors, installation depth variable within the installation dimensions of the water meter, divisible into two RG120 MONO blocks, for installation of a cold and hot water, as a one-piece cast water meter section, maintenance-free EPDM spindle seal, female pipe thread, free from dead spots, with fold out mounting lugs, mounting block foamed in pressure and tensile PU hard foam, flush-mounted UP valve(s) DVGW approval, plastic parts with KTW and W 270 approval, according to accepted materials list from German environmental agency, flush-mounted valve with soundproofing certificate according to DIN EN ISO 3822 Class 1, to meet the requirements of EnEV 2014, building material class B2 according to DIN 4102, CE marking, ÜA-Reg.-Nr. R-15.2.3-21-17048, WIEN-ZERT, inside micrometer 120 mm, pressure rating PN 10, max. operating temperature 70 °C, short-term peak temperature 95 °C

part no.	DN	female thread	length (mm)	shipping weight (kg)		
8540202000	20	Rp 3/4	236	3.45		

accessories	page
RG120 grip top die-cast zinc set-up dimensions to 32 mm, figure 596 11	117
RG120 grip top die-cast zinc set-up dimensions 30 mm to 110 mm, figure 596 12	117
RG120 change stopper including extension for set-up dimensions to 110 mm, figure 596 15	117
RG120 grip top plastic set-up dimensions up to 32 mm, figure 596 16	117
RG120 grip-top plastic, set-up dimensions 30 mm to 110 mm, figure 596 17	117
cap for stop valve water meter combinations and mounting blocks, figure 855 00 002	118



ECO-DUO shut-off water meter mounting block, G2 coax., figure 853 07

gunmetal housing, housing with G 2 coaxial thread for meter cartridges, consisting of two flush-mounted valves and water meter housings with plaster work protectors, installation depth variable within the installation dimensions of the water meter, for installation of a cold and hot water, of two one-piece cast water meter sections, maintenance-free EPDM spindle seal, female pipe thread, free from dead spots, with fold out mounting lugs, mounting block foamed in pressure and tensile PU hard foam, flush-mounted UP valve(s) DVGW approval, plastic parts with KTW and W 270 approval, according to accepted materials list from German environmental agency, flush-mounted valve with soundproofing certificate according to DIN EN ISO 3822 Class 1, to meet the requirements of EnEV 2014, building material class B2 according to DIN 4102, CE marking, inside micrometer 120 mm, pressure rating PN 10, max. operating temperature 70 °C, short-term peak temperature 95 °C

part no.	DN	female thread	length (mm)	shipping weight (kg)		
8530702000	20	Rp 3/4	236	3.21		

accessories	page
RG120 grip top die-cast zinc set-up dimensions to 32 mm, figure 596 11	117
RG120 grip top die-cast zinc set-up dimensions 30 mm to 110 mm, figure 596 12	117
RG120 change stopper including extension for set-up dimensions to 110 mm, figure 596 15	117
RG120 grip top plastic set-up dimensions up to 32 mm, figure 596 16	117
RG120 grip-top plastic, set-up dimensions 30 mm to 110 mm, figure 596 17	117
cap for stop valve water meter combinations and mounting blocks, figure 855 00 002	118



DUO stop valve water meter box, figure 870 07

internal parts made of gunmetal, stainless steel and plastic, housing with G 2 coaxial thread for meter cartridges, for wall surface installation, as a space-saving, galvanised steel case with versatile mounting options for existing wall systems, with two permanently integrated, cast in a single piece, non-rotating and sound-insulated stop water meter combinations, for installation of a cold and hot water, with overflow cap and dirt protection during installation for the construction phase, suitable for radio readouts, can be covered by optional front panels, with two flow rate-optimised direct seat valves and water meter housings, maintenance-free EPDM spindle seal, female pipe thread, handle with blue or red dot for identification, free from dead spots, wear-resistant stainless steel valve seat, DVGW approval, plastic parts with KTW and W 270 approval, according to accepted materials list from German environmental agency, DIN EN 1213, ÜA-Reg.-Nr. R-15.2.3-21-17048, WIEN-ZERT, inside micrometer 88 mm, pressure rating PN 10, max. operating temperature 70 °C, short-term peak temperature 95 °C

part no.	DN	female thread	length (mm)	shipping weight (kg)		
8700702000	20	Rp 3/4	200	3.99		

accessories	page
insulation shell for stop valve water meter box, figure 471 18	106
bracket set for stop valve water meter box, figure 870 00 002	119
plastic cover panel, white, for stop valve water meter box, figure 870 00 004	118
stainless steel panel for stop valve water meter box, figure 870 00 006	118
galvanised sheet steel cover panel, white, for stop valve water meter, figure 870 00 008	118



CLASSIC DUO PLUS water meter combination body, figure 867 27

wetted metal parts made from dezincification-free and corrosion-resistant gunmetal, resistant against aggressive water, housing with G 2 coaxial thread for meter cartridges, consisting of two flush-mounted valves and water meter housings with plaster work protectors, for installation of a cold and hot water, installation depth variable within the installation dimensions of the water meter, maintenance-free EPDM spindle seal, plastic shaft can be shortened, female pipe thread, free from dead spots, completely mounted on double fastening base made of plastic, including acoustic decoupler, with isolating, balancing and pre-setting function, incl. insulation shell, simple installation using the insulation clips or diffusion-resistant lockable using standard adhesives, flush-mounted UP valve(s) DVGW approval, plastic parts with KTW and W 270 approval, according to accepted materials list from German environmental agency, valve(s) with soundproofing certificate according to DIN EN ISO 3822 Class 1, to meet the requirements of EnEV 2014, building material class B1 according to DIN 4102, DIN EN 1213, CE marking, ÜA-Reg.-Nr. R-15.2.3-21-17048, WIEN-ZERT, inside micrometer 153 mm, pressure rating PN 10, max. operating temperature 70 °C, short-term peak temperature 95 °C

part no.	DN	female thread	length (mm)	shipping weight (kg)		
8672702000	20	Rp 3/4	304	3.47		

accessories	page
handle for flush-mounted valves, figure 590 00	115
operating cover for flush-mounted valves, figure 591 00	115
fixing set UP-PLUS, figure 597 00	115
cap for stop valve water meter combinations and mounting blocks, figure 855 00 002	118



RG120 water meter combination body, G2 coax., figure 855 47

wetted metal parts made from dezincification-free and corrosion-resistant gunmetal, resistant against aggressive water, housing with G 2 coaxial thread for meter cartridges, consisting of flush-mounted valve and water meter housing with plaster work protectors, installation depth variable within the installation dimensions of the water meter, for installation of a cold or hot-water metering cartridge, as a one-piece cast water meter section, maintenance-free EPDM spindle seal, female pipe thread, free from dead spots, cast-on mounting feet with sound decoupling, flush-mounted UP valve(s) DVGW approval, plastic parts with KTW and W 270 approval, according to accepted materials list from German environmental agency, flush-mounted valve with soundproofing certificate according to DIN EN ISO 3822 Class 1, ÜA-Reg.-Nr. R-15.2.3-21-17048, WIEN-ZERT, inside micrometer 120 mm, pressure rating PN 10, max. operating temperature 70 °C, short-term peak temperature 95 °C

part no.	DN	female thread	length (mm)	shipping weight (kg)		
8554702000	20	Rp 3/4	234	1.59		

accessories	page
RG120 grip top die-cast zinc set-up dimensions to 32 mm, figure 596 11	117
RG120 grip top die-cast zinc set-up dimensions 30 mm to 110 mm, figure 596 12	117
RG120 change stopper including extension for set-up dimensions to 110 mm, figure 596 15	117
RG120 grip top plastic set-up dimensions up to 32 mm, figure 596 16	117
RG120 grip-top plastic, set-up dimensions 30 mm to 110 mm, figure 596 17	117
cap for stop valve water meter combinations and mounting blocks, figure 855 00 002	118



CLASSIC water meter combination body, 130 mm, G2 coax., figure 855 27 220

wetted metal parts made from dezincification-free and corrosion-resistant gunmetal, resistant against aggressive water, housing with G 2 coaxial thread for meter cartridges, consisting of flush-mounted valve and water meter housing with plaster work protectors, for installation of a cold or hot-water metering cartridge, installation depth variable within the installation dimensions of the water meter, maintenance-free EPDM spindle seal, plastic shaft can be shortened, female pipe thread, free from dead spots, with casted lug for installation with optional base plate, flush-mounted UP valve(s) DVGW approval, plastic parts with KTW and W 270 approval, according to accepted materials list from German environmental agency, flush-mounted valve with soundproofing certificate according to DIN EN ISO 3822 Class 1, DIN EN 1213, ÜA-Reg.-Nr. R-15.2.3-21-17048, WIEN-ZERT, inside micrometer 130 mm, pressure rating PN 10, max. operating temperature 70 °C, short-term peak temperature 95 °C

part no.	DN	female thread	length (mm)	shipping weight (kg)		
8552722000	20	Rp 3/4	273	1.33		

accessories	page
insulation shell for stop valve water meter combinations CLASSIC, figure 471 16	106
handle for flush-mounted valves, figure 590 00	115
operating cover for flush-mounted valves, figure 591 00	115
fixing set UP-PLUS, figure 597 00	115
UP-PLUS extension set, figure 599 00	116
base plate for stop valve water meter combination CLASSIC for figure 855 27 and figure 885 27, figure 855 00 001	118
cap for stop valve water meter combinations and mounting blocks, figure 855 00 002	118



CLASSIC water meter combination body, 90 mm, G2 coax., figure 855 27 120

wetted metal parts made from dezincification-free and corrosion-resistant gunmetal, resistant against aggressive water, housing with G 2 coaxial thread for meter cartridges, consisting of stop valve and water meter housing with overflow cap, for installation of a cold or hot-water metering cartridge, maintenance-free EPDM spindle seal, female pipe thread, handle with blue or red dot for identification, free from dead spots, with casted lug for installation with optional base plate, valve with DVGW approval, plastic parts with KTW and W 270 approval, according to accepted materials list from German environmental agency, valve with soundproofing certificate according to EN ISO 3822 Class 1, DIN EN 1213, ÜA-Reg.-Nr. R-15.2.3-21-17048, WIEN-ZERT, inside micrometer 90 mm, pressure rating PN 10, max. operating temperature 70 °C, short-term peak temperature 95 °C

part no.	DN	female thread	length (mm)	shipping weight (kg)
8552712000	20	Rp 3/4	205	1.46

accessories	page
insulation shell for stop valve water meter combinations CLASSIC, figure 471 16	106
base plate for stop valve water meter combination CLASSIC for figur 855 27 and figur 885 27, figure 855 00 001	118
cap for stop valve water meter combinations and mounting blocks, figure 855 00 002	118




CLASSIC water meter combination body, 153 mm, G2 coax., figure 855 27 020

wetted metal parts made from dezincification-free and corrosion-resistant gunmetal, resistant against aggressive water, housing with G 2 coaxial thread for meter cartridges, consisting of flush-mounted valve and water meter housing with plaster work protectors, for installation of a cold or hot-water metering cartridge, installation depth variable within the installation dimensions of the water meter, maintenance-free EPDM spindle seal, plastic shaft can be shortened, female pipe thread, free from dead spots, with casted lug for installation with optional base plate, flush-mounted UP valve(s) DVGW approval, plastic parts with KTW and W 270 approval, according to accepted materials list from German environmental agency, flush-mounted valve with soundproofing certificate according to DIN EN ISO 3822 Class 1, DIN EN 1213, ÜA-Reg.-Nr. R-15.2.3-21-17048, WIEN-ZERT, inside micrometer 153 mm, pressure rating PN 10, max. operating temperature 70 °C, short-term peak temperature 95 °C

part no.	DN	female thread	length (mm)	shipping weight (kg)
8552702000	20	Rp 3/4	296	1.54

accessories	page
insulation shell for stop valve water meter combinations CLASSIC, figure 471 16	106
handle for flush-mounted valves, figure 590 00	115
operating cover for flush-mounted valves, figure 591 00	115
fixing set UP-PLUS, figure 597 00	115
base plate for stop valve water meter combination CLASSIC for figur 855 27 and figur 885 27, figure 855 00 001	118
cap for stop valve water meter combinations and mounting blocks, figure 855 00 002	118



CLASSIC water meter combination body, G2 coax., figure 885 27 020

wetted metal parts made from dezincification-free and corrosion-resistant gunmetal, resistant against aggressive water, housing with G 2 coaxial thread for meter cartridges, consisting of VAV maximum flow isolating ball valve and water meter housing with plaster and overflow cap, for installation of a cold or hot-water metering cartridge, installation depth variable within the installation dimensions of the water meter, plastic shaft can be shortened, female pipe thread, free from dead spots, with casted lug for installation with optional base plate, valve(s) with DVGW approval, plastic parts with KTW and W 270 approval, according to accepted materials list from German environmental agency, valve(s) with soundproofing certificate according to DIN EN ISO 3822 Class 1, ÜA-Reg.-Nr. R-15.2.3-21-17048, WIEN-ZERT, inside micrometer 153 mm, pressure rating PN 10, max. operating temperature 70 °C, short-term peak temperature 95 °C,

note: for use in combination with DN 25 handle set

part no.	DN	female thread	length (mm)	shipping weight (kg)		
8852702000	20	Rp 3/4	296	1.54		

accessories	page
insulation shell for stop valve water meter combinations CLASSIC VAV, figure 471 17	106
handle for flush-mounted valves, figure 590 00	115
operating cover for flush-mounted valves, figure 591 00	115
fixing set UP-PLUS, figure 597 00	115
base plate for stop valve water meter combination CLASSIC for figur 855 27 and figur 885 27, figure 855 00 001	118
cap for stop valve water meter combinations and mounting blocks, figure 855 00 002	118



FROSTI®-PLUS, frost-proof outdoor valve, figure 574 00

construction set version, suitable for the brick shell installation and for the subsequent installation in completed outer wall, wetted metal parts made of dezincification-free and corrosion-resistant gunmetal (in closed position), resistant against aggressive water, universal length for all common installation depths, inner top part for quick opening operation (two turns), high discharge capacity of 40 l / min (1 bar), cone with internal CV spring, EPDM-seat gasket, can be extended with optional extension kit, with aerator for automatic drainage, integrated CV and tube aerator as a security combination HD, inlet male pipe thread, matt chrome-plated operating handle with blue identification plate, free from dead spots, incl. torsion protection sleeve, incl. hose coupling for common connection systems, DVGW approval according to VP 648, ÖVGW approval, SVGW approval, KIWA approval, BELGAQUA approval, VA approval, plastic parts with KTW and W 270 approval, according to accepted materials list from German environmental agency, soundproofing certification according to DIN EN ISO 3822 Class 1, EN 1717, min. installation depth 150 mm, max. installation depth 415 mm, pressure rating PN 16, max. operating temperature 90 °C

part no.	DN	male thread	shipping weight (kg)
5740001500	15	R 1/2	1.83
5740002000	20	R 3/4	1.93

accessories	page
fixing set for FROSTI®-PLUS, figure 574 00 005	120
sealing collar for FROSTI®, figure 574 00 006	121
socket key operated for FROSTI®, figure 574 00 001	120
extension for FROSTI®-PLUS, figure 574 00 002	120
operating handle for FROSTI®, lockable, figure 575 00 003	120
dismantling key for lockable operating handle, figure 575 01 003	121
operating handle for FROSTI®, lockable and with master key system, figure 575 02 003	120



FROSTI®-PLUS, frost-proof outdoor valve, figure 574 03

construction set version, suitable for the brick shell installation and for the subsequent installation in completed outer wall, wetted metal parts made of dezincification-free and corrosion-resistant gunmetal (in closed position), resistant against aggressive water, universal length for all common installation depths, inner top part for quick opening operation (two turns), high discharge capacity of 40 l / min (1 bar), cone with internal CV spring, EPDM-seat gasket, can be extended with optional extension kit, with aerator for automatic drainage, integrated CV and tube aerator as a security combination HD, inlet male pipe thread, with socket wrench bonnet, free from dead spots, incl. torsion protection sleeve, incl. hose coupling for common connection systems, DVGW approval, ÖVGW approval, SVGW approval, KIWA approval, BELGAQUA approval, VA approval, plastic parts with KTW and W 270 approval, according to accepted materials list from German environmental agency, soundproofing certification according to DIN EN ISO 3822 Class 1, EN 1717, min. installation depth 150 mm, max. installation depth 415 mm, pressure rating PN 16, max. operating temperature 90 °C

part no.	DN	male thread	shipping weight (kg)
5740301500	15	R 1/2	1.70
5740302000	20	R 3/4	1.95

accessories	page
fixing set for FROSTI®-PLUS, figure 574 00 005	120
sealing collar for FROSTI®, figure 574 00 006	121
extension for FROSTI®-PLUS, figure 574 00 002	120
operating handle for FROSTI®, lockable, figure 575 00 003	120
dismantling key for lockable operating handle, figure 575 01 003	121
operating handle for FROSTI®, lockable and with master key system, figure 575 02 003	120



FROSTI®-PLUS-XL frost-proof outdoor valve, with handle, XL construction set version, figure 574 05

construction set version, suitable for the brick shell installation and for the subsequent installation in completed outer wall, wetted metal parts made of dezincification-free and corrosion-resistant gunmetal (in closed position), resistant against aggressive water, special length for large wall thickness, inner top part for quick opening operation (two turns), high discharge capacity of 40 l / min (1 bar), cone with internal CV spring, EPDM-seat gasket, can be extended with optional extension kit, with aerator for automatic drainage, integrated CV and tube aerator as a security combination HD, inlet male pipe thread, matt chrome-plated operating handle with blue identification plate, free from dead spots, incl. torsion protection sleeve, incl. hose coupling for common connection systems, DVGW approval according to VP 648, ÖVGW approval, SVGW approval, KIWA approval, BELGAQUA approval, VA approval, plastic parts with KTW and W 270 approval, according to accepted materials list from German environmental agency, soundproofing certification according to DIN EN ISO 3822 Class 1, EN 1717, min. installation depth 150 mm, max. installation depth 530 mm, pressure rating PN 16, max. operating temperature 90 °C

part no.	DN	male thread	shipping weight (kg)
5740501500	15	R 1/2	2.08
5740502000	20	R 3/4	2.15

accessories	page
fixing set for FROSTI®-PLUS, figure 574 00 005	120
sealing collar for FROSTI®, figure 574 00 006	121
socket key operated for FROSTI®, figure 574 00 001	120
extension for FROSTI®-PLUS, figure 574 00 002	120
operating handle for FROSTI®, lockable, figure 575 00 003	120
dismantling key for lockable operating handle, figure 575 01 003	121
operating handle for FROSTI®, lockable and with master key system, figure 575 02 003	120



FROSTI® frost-proof outdoor valve, pre-assembled, figure 577 02

pre-assembled, wetted metal parts made of dezincification-free and corrosion-resistant gunmetal (in closed position), resistant against aggressive water, suitable for fast subsequent installation on already finished outer wall, with socket wrench bonnet, inner top part for quick opening operation (two turns), high discharge capacity of 40 l / min (1 bar), EPDM-seat gasket, cone with internal CV spring, can be extended to any length at construction site, with aerator for automatic drainage, integrated CV and tube aerator as a security combination HD, inlet male pipe thread, free from dead spots, incl. hose coupling for common connection systems, flexible installation length with sliding wall disc in outdoor area, DVGW approval, ÖVGW approval, SVGW approval, KIWA approval, BELGAQUA approval, VA approval, plastic parts with KTW and W 270 approval, according to accepted materials list from German environmental agency, soundproofing certification according to DIN EN ISO 3822 Class 1, EN 1717, min. installation depth 150 mm, max. installation depth 492 mm, pressure rating PN 16, max. operating temperature 90 °C

part no.	DN	male thread	shipping weight (kg)
5770201500	15	R 1/2	1.44

accessories	page
operating handle for FROSTI®, lockable, figure 575 00 003	120
dismantling key for lockable operating handle, figure 575 01 003	121
operating handle for FROSTI®, lockable and with master key system, figure 575 02 003	120
FROSTI collar XL, figure 577 12	121



tap with male hose thread (MHT), figure 577 09

pre-assembled, wetted metal parts made of dezincification-free and corrosion-resistant gunmetal (in closed position), resistant against aggressive water, suitable for quick and easy installation in the frost-free areas, inner top part for quick opening operation (two turns), high discharge capacity of 40 l / min (1 bar), maintenance-free EPDM spindle seal, EPDM-seat gasket, cone with internal CV spring, integrated CV and tube aerator as a security combination HD, inlet male pipe thread, matt chrome-plated operating handle with blue identification plate, free from dead spots, incl. hose coupling for common connection systems, DVGW approval, SVGW approval, plastic parts with KTW and W 270 approval, according to accepted materials list from German environmental agency, soundproofing certification according to DIN EN ISO 3822 Class 1, pressure rating PN 16, max. operating temperature 90 °C

part no.	DN	male thread	length (mm)	shipping weight (kg)
5770901500	15	R 1/2	150	0.75

accessories	page
socket key operated for FROSTI®, figure 574 00 001	120
operating handle for FROSTI®, lockable, figure 575 00 003	120
dismantling key for lockable operating handle, figure 575 01 003	121
operating handle for FROSTI®, lockable and with master key system, figure 575 02 003	120



TRESOR built-in wall cabinet, Figure 210

Lockable, stainless steel, polished surface, as supply unit to central water or power supply, frame with door with profile cylinder lock as a key lock including bit keys, retrofittable and interchangeable on an existing locking system, door with integrated flap version for hose or cable connection for security even during operation,

Note: Lock with uniform key number on request, another configuration on request

part no.	water supply configuration	electric supply configuration	Wt kg		
2100101500	frost-proof outdoor valve	no socket	10.70		
2100201500	frost-proof outdoor valve	socket combination 2 x 230 V	11.15		
2100301500	frost-proof outdoor valve	socket combination 1 x 230 V, 1 x 400 V / 16 A	11.18		
2100401500	frost-proof outdoor valve	socket combination 2 x 230 V with RCD protection device	11.52		
2100801500	hose bibb	no socket	10.10		



TRESOR built-in wall cabinet, specifically for chlorine-based environments (e.g. swimming baths), Figure 214

lockable, made of SST 1.4539 for chlorine-based environments (e.g. swimming baths), ground surface, as supply unit to central water and power supply, frame with door with profile cylinder lock as a key lock including bit keys, retrofittable and interchangeable on an existing locking system, door with integrated flap version for hose or cable connection for security even during operation,

Note: Lock with uniform key number on request, another configuration on request

part no.	water supply configuration	electric supply configuration	Wt kg		
2140101500	frost-proof outdoor valve	no socket	11.50		
2140201500	frost-proof outdoor valve	socket combination 2 x 230 V	12.00		
2140301500	frost-proof outdoor valve	socket combination 1 x 230 V, 1 x 400 V / 16 A	12.00		
2140401500	frost-proof outdoor valve	socket combination 2 x 230 V with RCD protection device	12.30		
2140801500	hose bibb	no socket	11.00		
2141201500	hose bibb	socket combination 2 x 230 V	12.00		
2141301500	hose bibb	socket combination 1 x 230 V, 1 x 400 V / 16 A	12.00		
2141401500	hose bibb	socket combination 2 x 230 V with RCD protection device	12.60		



TRESOR surface-mounted wall cabinet, Figure 213

Lockable, stainless steel, polished surface, as supply unit to central water or power supply, frame with door with profile cylinder lock as a key lock including bit keys, retrofittable and interchangeable on an existing locking system, door with integrated flap version for hose or cable connection for security even during operation,

Note: Lock with uniform key number on request, another configuration on request

part no.	water supply configuration	electric supply configuration	Wt kg		
2130101500	frost-proof outdoor valve	no socket	10.12		
2130201500	frost-proof outdoor valve	socket combination 2 x 230 V	10.57		
2130301500	frost-proof outdoor valve	socket combination 1 x 230 V, 1 x 400 V / 16 A	10.60		
2130401500	frost-proof outdoor valve	socket combination 2 x 230 V with RCD protection device	10.94		
2130801500	hose bibb	no socket	9.52		



MINI-TRESOR surface-mounted wall cabinet, Figure 212

Lockable, stainless steel, polished surface, as supply unit to central water or power supply, frame with door with profile cylinder lock as a key lock including bit keys, retrofittable and interchangeable on an existing locking system, door with integrated flap version for hose or cable connection for security even during operation,

Note: Lock with uniform key number on request, another configuration on request

part no.	water supply configuration	electric supply configuration	Wt kg		
2120101500	frost-proof outdoor valve	no socket	7.80		
2120201500	frost-proof outdoor valve	socket 230 V	7.98		
2120801500	hose bibb	no socket	7.20		
2120901500	hose bibb	socket 230 V	7.38		



MINI-TRESOR built-in wall cabinet, Figure 211

Lockable, stainless steel, polished surface, as supply unit to central water or power supply, frame with door with profile cylinder lock as a key lock including bit keys, retrofittable and interchangeable on an existing locking system, door with integrated flap version for hose or cable connection for security even during operation,

Note: Lock with uniform key number on request, another configuration on request

part no.	water supply configuration	electric supply configuration	Wt kg		
2110101500	frost-proof outdoor valve	no socket	8.70		
2110201500	frost-proof outdoor valve	socket 230 V	4.90		
2110801500	hose bibb	no socket	8.10		
2110901500	hose bibb	socket 230 V	8.28		

STOP VALVES
SAFETY VALVES
PRVs / Filter
REGULATING VALVES
MEASURING VALVES
SAMPLING VALVES
FLUSH MOUNTED VALVES
WATER METER
OUTDOOR TAP
TRESOR
OTHER
KHS
KTS
ACCESSORIES
SPARE PARTS



/// wall hydrant type F, union thread, aluminium C-coupling, figure 112 00

wetted metal parts made of dezincification-free and corrosion-resistant gunmetal (in closed position), resistant against aggressive water, for use at wet and dry fire fighting systems, bonnet suitable for installation of a limit switch, maintenance-free EPDM spindle seal, EPDM-seat gasket, cone rotatable, protected against water hammer, inlet male thread, outlet aluminium C-coupling, DIN 14461-3/DIN 14462/DIN 50930-6, pressure rating PN 16

part no.	DN	connection	length (mm)	shipping weight (kg)		
1120005000	50	G 2	93	2.14		



/// wall hydrant type F, union nut, aluminium C-coupling, figure 112 01

wetted metal parts made of dezincification-free and corrosion-resistant gunmetal (in closed position), resistant against aggressive water, for use at wet and dry fire fighting systems, bonnet suitable for installation of a limit switch, maintenance-free EPDM spindle seal, EPDM-seat gasket, cone rotatable, protected against water hammer, inlet union nut, outlet aluminium C-coupling, DIN 14461-3/DIN 14462/DIN 50930-6, pressure rating PN 16

part no.	DN	connection	length (mm)	shipping weight (kg)		
1120105000	50	G 2	93	2.38		



/// wall hydrant type F, union thread, brass C-coupling, figure 112 02

wetted metal parts made of dezincification-free and corrosion-resistant gunmetal (in closed position), resistant against aggressive water, for use at wet and dry fire fighting systems, bonnet suitable for installation of a limit switch, maintenance-free EPDM spindle seal, EPDM-seat gasket, cone rotatable, protected against water hammer, inlet male thread, outlet aluminium C-coupling, DIN 14461-3/DIN 14462/DIN 50930-6, pressure rating PN 16

part no.	DN	connection	length (mm)	shipping weight (kg)		
1120205000	50	G 2	93	2.59		



/// wall hydrant type F, union nut, brass C-coupling, figure 112 03

wetted metal parts made of dezincification-free and corrosion-resistant gunmetal (in closed position), resistant against aggressive water, for use at wet and dry fire fighting systems, bonnet suitable for installation of a limit switch, maintenance-free EPDM spindle seal, EPDM-seat gasket, cone rotatable, protected against water hammer, inlet union nut, outlet aluminium C-coupling, DIN 14461-3/DIN 14462/DIN 50930-6, pressure rating PN 16

part no.	DN	connection	length (mm)	shipping weight (kg)		
1120305000	50	G 2	93	2.81		



/// wall hydrant type S for hose connection, union nut, figure 119 00

wetted metal parts made of dezincification-free and corrosion-resistant gunmetal (in closed position), resistant against aggressive water, can be used in drinking water installations according to DIN 1988 / EN 806 and in a wall hydrant type S according to DIN 14461-1, discharge rate max. 24 l / min at 2 bar, maintenance-free EPDM spindle seal, EPDM-seat gasket, integrated CV and tube aerator as a security combination HD, inlet union nut, outlet hose coupling, according to accepted materials list from German environmental agency, DIN 14461-1/DIN 14461-3, EN ISO 228, pressure rating PN 16

part no.	DN	connection	length (mm)	shipping weight (kg)		
1190002000	20	G 1	148	0.78		



gunmetal drain valve, figure 185 07

wetted metal parts made from dezincification-free and corrosion-resistant gunmetal, resistant against aggressive water, with suitability verification according to DIN 1988, PTFE seat gasket, maintenance-free EPDM spindle seal, inlet female thread, outlet hose coupling with cap with chain, with a black handwheel, free from dead spots, Open position indicator, according to DVGW regulations, plastic parts with KTW and W 270 approval, according to accepted materials list from German environmental agency, according to DIN EN 1213, ÚA-Reg.-Nr. R-15.2.3-21-17048, WIEN-ZERT, pressure rating PN 16, max. operating temperature 110 °C

part no.	DN	female thread	length (mm)	shipping weight (kg)		
1850701500	15	Rp 1/2	91	0.40		
1850702000	20	Rp 3/4	104	0.58		



gunmetal drain valve, figure 185 09

wetted metal parts made from dezincification-free and corrosion-resistant gunmetal, resistant against aggressive water, with suitability verification according to DIN 1988, PTFE seat gasket, maintenance-free EPDM spindle seal, male threaded inlet, male threaded outlet with hose coupling and cap with chain, with a black handwheel, free from dead spots, Open position indicator, according to DVGW regulations, plastic parts with KTW and W 270 approval, according to accepted materials list from German environmental agency, according to DIN EN 1213, ÚA-Reg.-Nr. R-15.2.3-21-17048, WIEN-ZERT, pressure rating PN 16, max. operating temperature 110 °C

part no.	DN	connection	length (mm)	shipping weight (kg)		
1850901500	15	G 1/2	88.5	0.39		
1850902000	20	G 3/4	104	0.58		



phased-out model

drain valve, figure 185 01

gunmetal housing, brass bonnet, with suitability verification according to DIN 1988, inlet female thread, outlet hose coupling with cap with chain, EPDM-seat gasket, free from dead spots, according to DVGW regulations, plastic parts with KTW and W 270 approval, according to accepted materials list from German environmental agency, according to DIN EN 1213, ÚA-Reg.-Nr. R-15.2.3-21-17048, WIEN-ZERT, pressure rating PN 16, max. operating temperature 110 °C

part no.	DN	female thread	length (mm)	shipping weight (kg)		
1850101500	15	Rp 1/2	91	0.31		
1850102000	20	Rp 3/4	104	0.51		




phased-out model

drain valve, figure 185 03

gunmetal housing, brass bonnet, with suitability verification according to DIN 1988, male threaded inlet, male threaded outlet with hose coupling and cap with chain, EPDM-seat gasket, free from dead spots, according to DVGW regulations, plastic parts with KTW and W 270 approval, according to accepted materials list from German environmental agency, according to DIN EN 1213, ÚA-Reg.-Nr. R-15.2.3-21-17048, WIEN-ZERT, pressure rating PN 16, max. operating temperature 110 °C

part no.	DN	connection	length (mm)	shipping weight (kg)		
1850301500	15	G 1/2	91	0.30		
1850302000	20	G 3/4	104	0.50		



full bore ball valve, figure 351 00

made of brass, nickel-plated, for water, compressed air and oil (not suitable for aggressive medium, e.g. steam), including two identification plates (red "heating flow" and blue "heating return"), hard chrome-plated brass ball with PTFE gasket, full bore, female pipe thread, blow-out proof spindle, DN 15 - DN 40 with T-handle, DN 50 with lever grip, for any installation position and flow direction, pressure rating PN 25, max. operating temperature 100 °C


part no.	DN	female thread	length (mm)	shipping weight (kg)		
3510001500	15	Rp 1/2	46	0.20		
3510002000	20	Rp 3/4	54	0.29		
3510002500	25	Rp 1	63	0.41		
3510003200	32	Rp 1 1/4	78	0.65		
3510004000	40	Rp 1 1/2	88	0.92		
3510005000	50	Rp 2	105	1.60		

accessories

insulation shell for ball valve, figure 471 24

page

105



straight seat stop valve, figure 183 02

wetted metal parts made from dezincification-free and corrosion-resistant gunmetal, resistant against aggressive water, maintenance-free spindle sealing with self-lubricating and under pressure replaceable EPDM-lip gasket, EPDM-seat gasket, cone rotatable, protected against water hammer, female pipe thread, spindle thread not in contact with medium, wear-resistant valve seat made of stainless steel up to DN 50, with a black handwheel, free from dead spots, Open position indicator, according to DVGW regulations, plastic parts with KTW and W 270 approval, according to accepted materials list from German environmental agency, DIN EN 1213, ÜA-Reg.-Nr. R-15.2.3-21-17048, WIEN-ZERT, pressure rating PN 16, max. operating temperature 110 °C

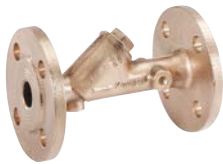
part no.	DN	female thread	length (mm)	shipping weight (kg)		
1830201500	15	Rp 1/2	62	0.37		
1830202000	20	Rp 3/4	74	0.52		
1830202500	25	Rp 1	82	0.77		
1830203200	32	Rp 1 1/4	98	1.16		
1830204000	40	Rp 1 1/2	105	1.42		
1830205000	50	Rp 2	125	2.15		



Y-strainer, figure 602 00

wetted metal parts made from dezincification-free and corrosion-resistant gunmetal, resistant against aggressive water, easily replaceable double mesh made of stainless steel, female pipe thread, for any installation position, according to accepted materials list from German environmental agency, ÜA-Reg.-Nr. R-15.2.3-21-17048, WIEN-ZERT, pressure rating PN 16, max. operating temperature 200 °C, mesh width outer supporting sieve 0.6 mm, mesh width inner screen 0.3 mm

part no.	DN	female thread	length (mm)	shipping weight (kg)		
6020001500	15	Rp 1/2	65	0.23		
6020002000	20	Rp 3/4	75	0.40		
6020002500	25	Rp 1	90	0.55		
6020003200	32	Rp 1 1/4	112	0.89		
6020004000	40	Rp 1 1/2	120	1.25		
6020005000	50	Rp 2	150	1.85		



Y-strainer, figure 605 00

wetted metal parts made from dezincification-free and corrosion-resistant gunmetal, resistant against aggressive water, easily replaceable double mesh made of stainless steel, flange connection, for any installation position, according to accepted materials list from German environmental agency, DIN EN 558-1, ÜA-Reg.-Nr. R-15.2.3-21-17048, WIEN-ZERT, pressure rating PN 16, max. operating temperature 200 °C, mesh width outer supporting sieve 0.6 mm, mesh width inner screen 0.3 mm

part no.	DN	length (mm)	shipping weight (kg)		
6050005000	50	230	5.88		
6050006500	65	290	8.65		
6050008000	80	310	10.70		
6050010000	100	350	16.85		


accessories	page
flanges, gasket and bolts	from 97



gate valve, FPT, figure 200 00

gunmetal housing, brass bonnet, female pipe thread, DIN 3352, pressure rating PN 16, max. operating temperature 200 °C

part no.	DN	female thread	length (mm)	shipping weight (kg)		
2000001500	15	Rp 1/2	53	0.36		
2000002000	20	Rp 3/4	56	0.53		
2000002500	25	Rp 1	63	0.82		
2000003200	32	Rp 1 1/4	71	1.16		
2000004000	40	Rp 1 1/2	80	1.57		
2000005000	50	Rp 2	90	2.54		



KHS Flow-Splitter unit - dynamic, for flush mounted installation, figure 650 00

prevents stagnation in ring pipe installations through forced flow during downstream withdrawals, can be used in cold drinking water (PWC) and hot drinking water (PWH), KHS Flow-Splitter - dynamic, according to the Venturi principle, including dynamic cartridge, flow and return branch for connection of outlets / plumbing units, wetted metal parts made from dezincification-free and corrosion-resistant gunmetal, resistant against aggressive water, KHS Flow-Splitter pass with female thread, plumbing unit feed pipe with female thread, plumbing unit return pipe with female thread, maintenance free, free from dead spots, including quarter turn stop valves, female threaded, for flush-mounted installation, figure 585 00, maintenance-free EPDM spindle seal, plastic shaft can be shortened, removable inner top part TOP-ENTRY, with EPDM gasket body and gunmetal ball, incl. insulation shell, valve(s) with DVGW approval, WRAS approval, according to DVGW worksheet W 570, according to accepted materials list from German environmental agency, up to DN 32 soundproofing certification according to DIN EN ISO 3822 Class 1, insulation shell building material class B1 according to DIN 4102, DIN EN 13828, ÚA-Reg.-Nr. R-15.2.3-21-17048, WIEN-ZERT, max. installation depth 110 mm, pressure rating PN 16, max. operating temperature 90 °C,

note: for use in combination with DN 25 handle set

part no.	pass		outlets		valves			
	DN	connec- tion	DN	connec- tion	DN	connec- tion		
650001500	15	Rp 1/2	15	Rp 1/2	15	Rp 1/2		
650002000	20	Rp 3/4	20	Rp 3/4	20	Rp 3/4		
650022000	20	Rp 3/4	20	Rp 3/4	15	Rp 1/2		
650002500	25	Rp 1	20	Rp 3/4	20	Rp 3/4		
650022500	25	Rp 1	20	Rp 3/4	15	Rp 1/2		
650003200	32	Rp 1 1/4	20	Rp 3/4	20	Rp 3/4		
650023200	32	Rp 1 1/4	20	Rp 3/4	15	Rp 1/2		
650004000	40	Rp 1 1/2	25	Rp 1	25	Rp 1		
650024000	40	Rp 1 1/2	25	Rp 1	15	Rp 1/2		
650044000	40	Rp 1 1/2	25	Rp 1	20	Rp 3/4		
650005000	50	Rp 2	25	Rp 1	25	Rp 1		
650025000	50	Rp 2	25	Rp 1	15	Rp 1/2		
650045000	50	Rp 2	25	Rp 1	20	Rp 3/4		

accessories	page
handle for flush-mounted valves, figure 590 00	115
operating cover for flush-mounted valves, figure 591 00	115
UP-PLUS extension set, figure 599 00	116



KHS Flow-Splitter unit - dynamic, FPT, figure 650 06

prevents stagnation in ring pipe installations through forced flow during downstream withdrawals, can be used in cold drinking water (PWC) and hot drinking water (PWH), KHS Flow-Splitter - dynamic, according to the Venturi principle, including dynamic cartridge, flow and return branch for connection of outlets / plumbing units, wetted metal parts made from dezincification-free and corrosion-resistant gunmetal, resistant against aggressive water, KHS Flow-Splitter pass with female thread, plumbing unit feed pipe with female thread, plumbing unit return pipe with female thread, maintenance free, free from dead spots, including KHS stop valve, female threaded, figure 385 00, maintenance-free EPDM spindle seal, removable inner top part TOP-ENTRY, with EPDM gasket body and gunmetal ball, incl. insulation shell, valve(s) with DVGW approval, WRAS approval, according to DVGW worksheet W 570, according to accepted materials list from German environmental agency, up to DN 32 soundproofing certification according to DIN EN ISO 3822 Class 1, insulation shell building material class B1 according to DIN 4102, DIN EN 13828, ÜA-Reg.-Nr. R-15.2.3-21-17048, WIEN-ZERT, pressure rating PN 16, max. operating temperature 90 °C,

note: Swiss variant (Figure 650 08) to SVGW specifications available on request

part no.	pass		outlets		valves			
	DN	connec- tion	DN	connec- tion	DN	connec- tion		
6500601500	15	Rp 1/2	15	Rp 1/2	15	Rp 1/2		
6500602000	20	Rp 3/4	20	Rp 3/4	20	Rp 3/4		
6500622000	20	Rp 3/4	20	Rp 3/4	15	Rp 1/2		
6500602500	25	Rp 1	20	Rp 3/4	20	Rp 3/4		
6500622500	25	Rp 1	20	Rp 3/4	15	Rp 1/2		
6500603200	32	Rp 1 1/4	20	Rp 3/4	20	Rp 3/4		
6500623200	32	Rp 1 1/4	20	Rp 3/4	15	Rp 1/2		
6500604000	40	Rp 1 1/2	25	Rp 1	25	Rp 1		
6500624000	40	Rp 1 1/2	25	Rp 1	15	Rp 1/2		
6500644000	40	Rp 1 1/2	25	Rp 1	20	Rp 3/4		
6500605000	50	Rp 2	25	Rp 1	25	Rp 1		
6500625000	50	Rp 2	25	Rp 1	15	Rp 1/2		
6500645000	50	Rp 2	25	Rp 1	20	Rp 3/4		



KHS Flow-Splitter unit - dynamic, union thread, figure 650 02

prevents stagnation in ring pipe installations through forced flow during downstream withdrawals, can be used in cold drinking water (PWC) and hot drinking water (PWH), KHS Flow-Splitter - dynamic, according to the Venturi principle, including dynamic cartridge, flow and return branch for connection of outlets / plumbing units, wetted metal parts made from dezincification-free and corrosion-resistant gunmetal, resistant against aggressive water, KHS Flow-Splitter pass with union thread, plumbing unit feed pipe with union nut, plumbing unit return pipe with union nut, maintenance free, free from dead spots, including KHS stop valves, union thread, figure 386 0G, maintenance-free EPDM spindle seal, removable inner top part TOP-ENTRY, with EPDM gasket body and gunmetal ball, incl. insulation shell, valve(s) with DVGW approval, WRAS approval, according to DVGW worksheet W 570, according to accepted materials list from German environmental agency, up to DN 32 soundproofing certification according to DIN EN ISO 3822 Class 1, insulation shell building material class B1 according to DIN 4102, DIN EN 13828, ÜA-Reg.-Nr. R-15.2.3-21-17048, WIEN-ZERT, pressure rating PN 16, max. operating temperature 90 °C,

note: swiss version (Figure 650 07) acc. SVGW requirements available on request

part no.	pass		outlets		valves			
	DN	connec-tion	DN	connec-tion	DN	connec-tion		
6500201500	15	G 3/4	15	G 3/4	15	G 3/4		
6500202000	20	G 1	20	G 1	20	G 1		
6500202500	25	G 1 1/4	20	G 1	20	G 1		
6500203200	32	G 1 1/2	20	G 1	20	G 1		
6500204000	40	G 1 3/4	25	G 1 1/4	25	G 1 1/4		
6500205000	50	G 2 3/8	25	G 1 1/4	25	G 1 1/4		

accessories

union connections

page

from 99



KHS Flow-Splitter set - dynamic, figure 650 20

prevents stagnation in ring pipe installations through forced flow during downstream withdrawals, can be used in cold drinking water (PWC) and hot drinking water (PWH), KHS Flow-Splitter - dynamic, according to the Venturi principle, including dynamic cartridge, flow and return branch for connection of outlets / plumbing units, wetted metal parts made from dezincification-free and corrosion-resistant gunmetal, resistant against aggressive water, KHS Flow-Splitter pass with female thread, plumbing unit feed pipe with female thread, plumbing unit return pipe with female thread, maintenance free, free from dead spots, incl. insulation shells, WRAS approval, according to DVGW worksheet W 570, according to accepted materials list from German environmental agency, up to DN 32 soundproofing certification according to DIN EN ISO 3822 Class 1, insulation shell building material class B1 according to DIN 4102, ÜA-Reg.-Nr. R-15.2.3-21-17048, WIEN-ZERT, pressure rating PN 16, max. operating temperature 90 °C,

note: use only KHS isolating valves in the loop to maintain proper function of the KHS Flow-Splitter


part no.	pass		outlets			
	DN	connection	DN	connection		
6502001500	15	Rp 1/2	15	Rp 1/2		
6502002000	20	Rp 3/4	20	Rp 3/4		
6502002500	25	Rp 1	20	Rp 3/4		
6502003200	32	Rp 1 1/4	20	Rp 3/4		
6502004000	40	Rp 1 1/2	25	Rp 1		
6502005000	50	Rp 2	25	Rp 1		



KHS Flow-Splitter box, for in-floor installation, figure 640 50

for use exclusively in single and two-family houses, prevents stagnation in ring pipe installations through forced flow during downstream withdrawals, can be used in cold drinking water (PWC), venturi technology creates parallel flow through main and loop pipe, for flush mounted installation or in inaccessible locations, wetted metal parts made from dezincification-free and corrosion-resistant gunmetal, resistant against aggressive water, KHS Flow-Splitter pass with female thread, plumbing unit feed pipe with female thread, plumbing unit return pipe with female thread, maintenance free, free from dead spots, KHS Flow-Splitter - static integrated into insulation shell of Neopor®, suitable for horizontal and vertical installation, according to accepted materials list from German environmental agency, CE marking, ÜA-Reg.-Nr. R-15.2.3-21-17048, WIEN-ZERT, pressure rating PN 16, max. operating temperature 90 °C

part no.	pass		outlets			
	DN	connection	DN	connection		
6405001500	15	Rp 1/2	15	Rp 1/2		
6405002000	20	Rp 3/4	15	Rp 1/2		



KHS CoolFlow cold water cooler, figure 610 01

as flow-through drinking water cooler for cooling drinking water with integrated circulation pump, for cooling and distributing the cold water as far as the tapping point outlet in the drinking water installation, adjustment range of PWC temperature 15 °C to 25 °C, consisting of PWM-controlled circulation pump with gunmetal housing and integrated check valve, consisting of PWM-controlled operating fluid pump, with diffusion-tight insulation fitted at the factory, pre-assembled, space requirements less than 1 m², wetted metal parts made from dezincification-free and corrosion-resistant gunmetal, resistant to aggressive water, stainless steel and drinking water-approved plastics, easy operation with integrated commissioning wizard, low-noise operation, installation on the ground, incl. drinking water-side maintenance cut-offs, built-in operating fluid buffer tank, allows efficient operation of the cold water generator, connection to cold water generator hydraulically separated, integration of all cold water generators possible, recharging request through potential-free contact, compact design, plate heat exchanger made of stainless steel grade 1.4401/1.4404, electronic control unit for high control quality during operation, incl. Pt1000 measuring element, factory pre-assembled electrical connection of actuators and sensors to the control unit, plastic parts with KTW and W 270 approval, according to accepted materials list from German environmental agency, ÜA-Reg.-Nr. R-15.2.3-21-17048, WIEN-ZERT, pressure stage PN 10 drinking water side and PN 6 equipment side, min. ambient temperature 0 °C, max. ambient temperature 50 °C, max. cooling capacity 6.4 kW, power supply 230 V AC, electrical power input 185.5 W,

note: maintenance and commissioning of the system on request

part no.	diameter (mm)	height (mm)	cold water connection	cooling connection		
6100100000	640	805	G 1	Rp 1		

accessories	page
Data logger and gateway for KHS Cold Water Cooler, figure 611 00	113



KHS CoolFlow cold water balancing valve, with 230 V actuator, figure 615 0G

thermostatic balancing valve with integrated flushing function, thermostatic balancing valve for cold water return branches with kv-min ≥ 0.03, for thermostatic, hydraulic balancing, thermostatic balancing unit, electrical shut-off device, can be combined with flushing system, for integration in existing KHS mini control system, wetted metal parts made from dezincification-free and corrosion-resistant gunmetal, resistant against aggressive water, maintenance-free EPDM spindle seal, PTFE seat gasket, water hammer free operation, free from dead spots, with isolating, balancing and pre-setting function, male union thread, plastic parts with KTW and W 270 approval, according to accepted materials list from German environmental agency, ÜA-Reg.-Nr. R-15.2.3-21-17048, WIEN-ZERT, control range 15 °C - 22 °C, pressure rating PN 10, max. operating temperature 50 °C, max. ambient temperature 50 °C, protection class IP54, power supply 230 V AC, length of connection cable 1.5 m, wire cross section 3 x 0.75 mm²

part no.	DN	connection	length (mm)	shipping weight (kg)		
6150G01500	15	G 3/4	73	0.88		

accessories	page
insulation shell for KHS CoolFlow cold water balancing valve, figure 471 27	105
union connections	from 99



KHS CoolFlow cold water balancing valve, with 24 V actuator, figure 616 0G

thermostatic balancing valve with integrated flushing function, thermostatic balancing valve for cold water return branches with $k_v\text{-min} \geq 0.03$, for thermostatic, hydraulic balancing, thermostatic balancing unit, electrical shut-off device, can be combined with flushing system, wetted metal parts made from dezincification-free and corrosion-resistant gunmetal, resistant against aggressive water, maintenance-free EPDM spindle seal, PTFE seat gasket, water hammer free operation, free from dead spots, with isolating, balancing and pre-setting function, male union thread, plastic parts with KTW and W 270 approval, according to accepted materials list from German environmental agency, ÚA-Reg.-Nr. R-15.2.3-21-17048, WIEN-ZERT, control range $15\text{ }^{\circ}\text{C} - 22\text{ }^{\circ}\text{C}$, pressure rating PN 10, max. operating temperature $50\text{ }^{\circ}\text{C}$, max. ambient temperature $50\text{ }^{\circ}\text{C}$, protection class IP54, power supply 24 V AC/DC, length of connection cable 1.5 m, wire cross section $5 \times 0.5\text{ mm}^2$

part no.	DN	connection	length (mm)	shipping weight (kg)
6160G01500	15	G 3/4	73	0.89

accessories	page
insulation shell for KHS CoolFlow cold water balancing valve, figure 471 27	105
union connections	from 99



KHS CoolFlow Chiller, figure 618 01

for cooling the KHS CoolFlow cold water cooler, air-cooled chiller in compact design for outdoor installation for energy-efficient operation of the KHS CoolFlow cold water circulation, weatherproof base frame with removable cladding panels made of powder-coated steel, colour similar to RAL 9010, with infinitely variable cooling control, modern EC fans and integrated fan control to reduce operating costs and optimally adjust the fan speed to the actual ambient conditions, infinitely variable speed regulation through thermal low-noise fan control for particularly low noise emissions, standard operating limits from $-15\text{ }^{\circ}\text{C}$ to $+45\text{ }^{\circ}\text{C}$, fully hermetic, vibration-damped rotating-piston inverter compressor for infinitely variable adjustment of the compressor frequency, with refrigerator oil filling, refrigerant circuit made of refrigerant copper pipe, hermetically sealed and pressure tested at the factory, dried and filled with R410A safety refrigerant, controllable via Schrader valve, High- and low-pressure control device, filter dryer and electronic expansion valve to increase energy efficiency and improve control quality, evaporator as refrigerant-water heat exchanger as tube bundle heat exchanger, vapour-diffusion-tight insulation, return temperature range from $+10\text{ }^{\circ}\text{C}$ to $+20\text{ }^{\circ}\text{C}$, insulated medium circuit with manual bleeder valve, differential pressure monitor for monitoring the volume flow, and speed-controlled circulation pump according to the specifications of the Ecodesign Directive, medium connections in solid design with one-inch female pipe thread, internal control box with terminal strip for mains power supply, contact for external release and potential-free contact for collective fault signal, completely wired and tested main and control circuit with transformer, control fuses to protect the device's PCB, automatic restart after power failure, modern touch controller in IP54 splash-proof body for operating the device and setting further operating parameters, RS485 Modbus interface as standard, clear display of medium inlet and outlet temperature as well as function display of fan, compressor, required maintenance interval and elementary faults, such as high/low and differential pressure, coded fault messages and display of all operation-relevant control parameters with password-protected access, compliance with all requirements of the Ecodesign Directive (EU) 2016/2281 (LOT 21) through optimized heat exchanger surfaces, use of high-efficiency components and optimisation of operationally relevant system parameters, protection class IPX4, power supply 230 V AC, Sound pressure level (distance 10 m free field) 37.3 dB(A) , sound power level 68.5 dB(A) , adjustment range, return temperature $+10$ to $+20\text{ }^{\circ}\text{C}$, operating range -15 to $+45\text{ }^{\circ}\text{C}$, max. air volume flow $3900\text{ m}^3/\text{h}$,

note: *air inlet temperature $35\text{ }^{\circ}\text{C}$ dry bulb, medium temperatures $7/12\text{ }^{\circ}\text{C}$, 0% glycol concentration

part no.	cooling capacity (kW)	electr. rated current-consumption (A)	SEER	shipping weight (kg)
6180100100	4.7* (1.6-5.6)	5.6	3.88	95.00
6180100200	7.6* (2.0-10.0)	10.4	4.33	120.00

accessories	page
Connection-set, figure 619 01 001	113
Vibration damper set for chiller, figure 619 02 000	113



KHS Hygiene Flush Box PRO with flow sensor, single port, figure 689 03 007

particularly suitable for buildings with special hygiene requirements, to avoid stagnation acc. to standards and guidelines, allows water exchange with turbulent flow in drinking water pipes up to DN 50, Single port (water exchange group) for cold drinking water (PWC), wetted metal parts made from dezincification-free and corrosion-resistant gunmetal, resistant to aggressive water, stainless steel and drinking water-approved plastics, for installation in all installation situations (flush or surface mounted), for installation in dry- or prewall installation systems, compact installation dimensions, fast assembly using a drilling template, mounting frame (incl. depth adjustment) and fastening parts, reversible cover with magnetic push-to-open function and safety catch, large service opening, male union thread, with isolating function for maintenance, Solenoid valve with integrated fine screen, Flow and temperature sensor (Pt1000) to record flushing volumes, Flow = 10l/min (5l/min or 15l/min with optional accessories, factory-installed flushing set for commissioning, tool-free maintenance of all functional components, integrated overflow monitoring, integrated anti-siphon trap (> 45 l/min) with removable cap, Free drain in accordance with DIN EN 1717, Water trap height 50mm in accordance with DIN 1986-100, nominal width of drainpipe (DN 40 and DN 50), PRO control unit, operation via WLAN (can be switched off) using the latest Access Point Technology, seven timers for customised flushing strategy, interval, time, volume, temperature and use-controlled flushing measures, digital commissioning and maintenance assistant, analysis and log readout via WLAN and USB, visualised flushing history, connection to KHS Mini Control-System possible, networking of up to 60 Hygiene Flush Boxes possible, up to 100,000 event entries to verify use as intended, potential-free fault-message contact, incorporation into BMS (BACnet & Modbus) via KEMPER Hygiene System KHS, BMS interface via digital i/o, automatic detection and checking of all functional components, average-temperature recording with optional accessory (KHS temperature sensor Pt1000), buzzer for fault messages (with three volume levels), LED status display, without exception, external connections are always fixed connections in the housing (no external connection boxes necessary), controller pre-installed in housing (cable length: 5m), expandable by a second water exchange group e.g. for warm drinking water (PWH), DVGW approval, SVGW approval, WRAS approval, KIWA approval, BELGAQUA approval, according to accepted materials list from German environmental agency, soundproofing certification according to DIN EN ISO 3822 Class 1 (up to 30 l/min), pressure rating PN 10, protection class IP44, power supply 230 V AC, electrical power input 4.5 W, power consumption in standby 3.9 W,

note: maintenance and commissioning of the system on request

part no.	DN	connection	drain connection (mm)	shipping weight (kg)		
6890300700	15	G 3/4	40 / 50	8.00		

accessories	page
KHS temperature sensor Pt 1000, figure 628 0G	86
Aerator set for KHS Hygiene Flush Box PRO, PURE and LITE, figure 689 04 019	112



KHS Hygiene Flush Box PRO with flow sensor, double port, figure 689 03 008

particularly suitable for buildings with special hygiene requirements, to avoid stagnation acc. to standards and guidelines, allows water exchange with turbulent flow in drinking water pipes up to DN 50, double port (water exchange groups) for connection of e.g. PWC and PWH, wetted metal parts made from dezincification-free and corrosion-resistant gunmetal, resistant to aggressive water, stainless steel and drinking water-approved plastics, for installation in all installation situations (flush or surface mounted), for installation in dry- or prewall installation systems, compact installation dimensions, fast assembly using a drilling template, mounting frame (incl. depth adjustment) and fastening parts, reversible cover with magnetic push-to-open function and safety catch, large service opening, male union thread, with isolating function for maintenance, Solenoid valve with integrated fine screen, Flow and temperature sensor (Pt1000) to record flushing volumes, Flow = 10l/min (5l/min or 15l/min with optional accessories, factory-installed flushing set for commissioning, tool-free maintenance of all functional components, integrated overflow monitoring, integrated anti-siphon trap (> 45 l/min) with removable cap, Free drain in accordance with DIN EN 1717, Water trap height 50mm in accordance with DIN 1986-100, nominal width of drainpipe (DN 40 and DN 50), PRO control unit, operation via WLAN (can be switched off) using the latest Access Point Technology, seven timers for customised flushing strategy, interval, time, volume, temperature and use-controlled flushing measures, digital commissioning and maintenance assistant, analysis and log readout via WLAN and USB, visualised flushing history, connection to KHS Mini Control-System possible, up to 100,000 event entries to verify use as intended, networking of up to 30 Hygiene Flush Boxes possible, potential-free fault-message contact, incorporation into BMS (BACnet & Modbus) via KEMPER Hygiene System KHS, BMS interface via digital i/o, automatic detection and checking of all functional components, average-temperature recording with optional accessory (KHS temperature sensor Pt1000), buzzer for fault messages (with three volume levels), LED status display, without exception, external connections are always fixed connections in the housing (no external connection boxes necessary), controller pre-installed in housing (cable length: 5m), DVGW approval, SVGW approval, WRAS approval, KIWA approval, BELGAQUA approval, according to accepted materials list from German environmental agency, soundproofing certification according to DIN EN ISO 3822 Class 1 (up to 30 l/min), pressure rating PN 10, protection class IP44, power supply 230 V AC, electrical power input 4.5 W, power consumption in standby 3.9 W,

note: maintenance and commissioning of the system on request

part no.	DN	connection	drain connection (mm)	shipping weight (kg)		
6890300800	15	G 3/4	40 / 50	8.54		

accessories	page
KHS temperature sensor Pt 1000, figure 628 0G	86
Aerator set for KHS Hygiene Flush Box PRO, PURE and LITE, figure 689 04 019	112



KHS Hygiene Flush Box PURE, single port, figure 689 03 005

Especially suitable for time-controlled interval flushing operation in small buildings, to avoid stagnation acc. to standards and guidelines, allows water exchange with turbulent flow in drinking water pipes up to DN 50, Single port (water exchange group) for cold drinking water (PWC), wetted metal parts made from dezincification-free and corrosion-resistant gunmetal, resistant to aggressive water, stainless steel and drinking water-approved plastics, for installation in all installation situations (flush or surface mounted), for installation in dry- or prewall installation systems, compact installation dimensions, fast assembly using a drilling template, mounting frame (incl. depth adjustment) and fastening parts, reversible cover with magnetic push-to-open function and safety catch, large service opening, male union thread, with isolating function for maintenance, Solenoid valve with integrated fine screen, Flow = 10l/min (5l/min or 15l/min with optional accessories, factory-installed flushing set for commissioning, tool-free maintenance of all functional components, integrated overflow monitoring, integrated anti-siphon trap (> 45 l/min) with removable cap, Free drain in accordance with DIN EN 1717, Water trap height 50mm in accordance with DIN 1986-100, nominal width of drainpipe (DN 40 and DN 50), PURE control unit, manual commissioning on the device by hand, interval controlled flushing, up to 100,000 event entries to verify use as intended (readout via USB), potential-free fault-message contact, automatic detection and checking of all functional components, buzzer for fault messages (with three volume levels), LED status display, without exception, external connections are always fixed connections in the housing (no external connection boxes necessary), controller pre-installed in housing (cable length: 5m), upgrade to PRO control unit possible, expandable by a second water exchange group e.g. for warm drinking water (PWH), DVGW approval, SVGW approval, WRAS approval, KIWA approval, BELGAQUA approval, according to accepted materials list from German environmental agency, soundproofing certification according to DIN EN ISO 3822 Class 1 (up to 30 l/min), pressure rating PN 10, protection class IP44, power supply 230 V AC, electrical power input 4.5 W, power consumption in standby 3.9 W

part no.	DN	connection	drain connection (mm)	shipping weight (kg)		
6890300500	15	G 3/4	40 / 50	8.00		

accessories	page
Aerator set for KHS Hygiene Flush Box PRO, PURE and LITE, figure 689 04 019	112



KHS Hygiene Flush Box PURE, double port, figure 689 03 006

Especially suitable for time-controlled interval flushing operation in small buildings, to avoid stagnation acc. to standards and guidelines, allows water exchange with turbulent flow in drinking water pipes up to DN 50, double port (water exchange groups) for connection of e.g. PWC and PWH, wetted metal parts made from dezincification-free and corrosion-resistant gunmetal, resistant to aggressive water, stainless steel and drinking water-approved plastics, for installation in all installation situations (flush or surface mounted), for installation in dry- or prewall installation systems, compact installation dimensions, fast assembly using a drilling template, mounting frame (incl. depth adjustment) and fastening parts, reversible cover with magnetic push-to-open function and safety catch, large service opening, male union thread, with isolating function for maintenance, Solenoid valve with integrated fine screen, Flow = 10l/min (5l/min or 15l/min with optional accessories, factory-installed flushing set for commissioning, tool-free maintenance of all functional components, integrated overflow monitoring, integrated anti-siphon trap (> 45 l/min) with removable cap, Free drain in accordance with DIN EN 1717, Water trap height 50mm in accordance with DIN 1986-100, nominal width of drainpipe (DN 40 and DN 50), PURE control unit, manual commissioning on the device by hand, interval controlled flushing, up to 100,000 event entries to verify use as intended (readout via USB), potential-free fault-message contact, automatic detection and checking of all functional components, buzzer for fault messages (with three volume levels), LED status display, without exception, external connections are always fixed connections in the housing (no external connection boxes necessary), controller pre-installed in housing (cable length: 5m), upgrade to PRO control unit possible, DVGW approval, SVGW approval, WRAS approval, KIWA approval, BELGAQUA approval, according to accepted materials list from German environmental agency, soundproofing certification according to DIN EN ISO 3822 Class 1 (up to 30 l/min), pressure rating PN 10, protection class IP44, power supply 230 V AC, electrical power input 4.5 W, power consumption in standby 3.9 W

part no.	DN	connection	drain connection (mm)	shipping weight (kg)		
6890300600	15	G 3/4	40 / 50	8.60		

accessories

page

Aerator set for KHS Hygiene Flush Box PRO, PURE and LITE, figure 689 04 019

112



KHS Hygiene Flush Box LITE with flow sensor, single port, figure 689 03 009

particularly suitable for safety-sensitive buildings, to avoid stagnation acc. to standards and guidelines, allows water exchange with turbulent flow in drinking water pipes up to DN 50, Single port (water exchange group) for cold drinking water (PWC), wetted metal parts made from dezincification-free and corrosion-resistant gunmetal, resistant to aggressive water, stainless steel and drinking water-approved plastics, for installation in all installation situations (flush or surface mounted), for installation in dry- or prewall installation systems, compact installation dimensions, fast assembly using a drilling template, mounting frame (incl. depth adjustment) and fastening parts, reversible cover with magnetic push-to-open function and safety catch, large service opening, male union thread, with isolating function for maintenance, Solenoid valve with integrated fine screen, Flow and temperature sensor (Pt1000) to record flushing volumes, Flow = 10l/min (5l/min or 15l/min with optional accessories, factory-installed flushing set for commissioning, tool-free maintenance of all functional components, integrated overflow monitoring, integrated anti-siphon trap (> 45 l/min) with removable cap, Free drain in accordance with DIN EN 1717, Water trap height 50mm in accordance with DIN 1986-100, nominal width of drainpipe (DN 40 and DN 50), LITE control unit, no integrated controller logic (control via direct connection of all components to BMS (24 V/4-20 mA), interval, time, volume, temperature and use-controlled flushing measures possible (depending on external flushing logic), expandable by a second water exchange group e.g. for warm drinking water (PWH), DVGW approval, SVGW approval, WRAS approval, KIWA approval, BELGAQUA approval, according to accepted materials list from German environmental agency, soundproofing certification according to DIN EN ISO 3822 Class 1 (up to 30 l/min), pressure rating PN 10, protection class IP44, power supply 24 V DC

part no.	DN	connection	drain connection (mm)	shipping weight (kg)		
6890300900	15	G 3/4	40 / 50	8.00		

accessories

page

Aerator set for KHS Hygiene Flush Box PRO, PURE and LITE, figure 689 04 019

112

BMS-version



BMS-version

KHS Hygiene Flush Box LITE with flow sensor, double port, figure 689 03 010

particularly suitable for safety-sensitive buildings, to avoid stagnation acc. to standards and guidelines, allows water exchange with turbulent flow in drinking water pipes up to DN 50, double port (water exchange groups) for connection of e.g. PWC and PWH, wetted metal parts made from dezincification-free and corrosion-resistant gunmetal, resistant to aggressive water, stainless steel and drinking water-approved plastics, for installation in all installation situations (flush or surface mounted), for installation in dry- or prewall installation systems, compact installation dimensions, fast assembly using a drilling template, mounting frame (incl. depth adjustment) and fastening parts, reversible cover with magnetic push-to-open function and safety catch, large service opening, male union thread, with isolating function for maintenance, Solenoid valve with integrated fine screen, Flow and temperature sensor (Pt1000) to record flushing volumes, Flow = 10l/min (5l/min or 15l/min with optional accessories, factory-installed flushing set for commissioning, tool-free maintenance of all functional components, integrated overflow monitoring, integrated anti-siphon trap (> 45 l/min) with removable cap, Free drain in accordance with DIN EN 1717, Water trap height 50mm in accordance with DIN 1986-100, nominal width of drainpipe (DN 40 and DN 50), LITE control unit, no integrated controller logic (control via direct connection of all components to BMS (24 V/4-20 mA), interval, time, volume, temperature and use-controlled flushing measures possible (depending on external flushing logic), DVGW approval, SVGW approval, WRAS approval, KIWA approval, BELGAQUA approval, according to accepted materials list from German environmental agency, soundproofing certification according to DIN EN ISO 3822 Class 1 (up to 30 l/min), pressure rating PN 10, protection class IP44, power supply 24 V DC

part no.	DN	connection	drain connection (mm)	shipping weight (kg)		
6890301000	15	G 3/4	40 / 50	8.40		

accessories	page
Aerator set for KHS Hygiene Flush Box PRO, PURE and LITE, figure 689 04 019	112



phased-out model

KHS HS2®, hygiene-flushing box, single port, incl. cover panel, figure 689 03 001

to avoid stagnation acc. to standards and guidelines, allows water exchange with turbulent flow in drinking water pipes up to DN 50, operation via Bluetooth with HS2®-App (Bluetooth can be switched off), Single port (water exchange group) for cold drinking water (PWC), consisting of: solenoid valve unit(s) with locking pin and flow restrictor, maintenance cut-off(s), coupling piece(s), power pack with output cable, length 5 m, control unit, building shell set, building protection, may be cut to size, cover panel made of brushed stainless steel, fixing material, 10 l/min flow (accessories for optional 4 or 15 l/min available), for installation in dry- or prewall installation systems, compact installation / servicing dimensions, connection to KHS Mini Control-System possible, optional KHS temperature-sensor Pt1000 and KHS CONTROL-PLUS flow sensor available, time and temperature based flushing possible, two operating modes programmable (e. g. for school and holiday periods), logbook with 3000 entries for flushing and system events, integrated overflow monitoring, BMS interface via digital i/o, male pipe thread, drain with integrated odour trap DN 50, with integrated solenoid valve and mesh DN 15, with isolating function for maintenance, DVGW approval W 540, SVGW approval, according to accepted materials list from German environmental agency, soundproofing certification according to DIN EN ISO 3822 Class 1 (up to 15 l/min), pressure rating PN 10, max. operating temperature 70 °C, protection class IP45, power supply 230 V AC, operating voltage 12 V DC, electrical power input 14 W

part no.	DN	male thread	drain connection (mm)	shipping weight (kg)		
6890300100	15	R 1/2	50	4.59		

accessories	page
temperature sensor for KHS HS2® hygienie flushing box, figure 689 00	86
BMS connecting cable via digital I/O for KHS HS2® hygienie flushing box, figure 689 05 001	113
connection set surface-mounted CAN bus for KHS HS2® hygienie flushing box, figure 689 06 001	112
connection set flush-mounted CAN bus for KHS HS2® hygienie flushing box, figure 689 06 002	112
cover for KHS HS2® hygienie flushing box, figure 689 07 001	112
CONTROL-PLUS flow measurement valve for KHS HS2® hygienie flushing box, figure 689 4G 001	112
service set (4, 10, 15 l/min) for KHS HS2® hygienie flushing box, figure 689 99 001	113




KHS HS2[®], hygiene-flushing box, double port, incl. cover panel, figure 689 03 002

to avoid stagnation acc. to standards and guidelines, allows water exchange with turbulent flow in drinking water pipes up to DN 50, operation via Bluetooth with HS2[®]-App (Bluetooth can be switched off), double port (water exchange groups) for connection of e.g. PWC and PWH, consisting of: solenoid valve unit(s) with locking pin and flow restrictor, maintenance cut-off(s), coupling piece(s), power pack with output cable, length 5 m, control unit, building shell set, building protection, may be cut to size, cover panel made of brushed stainless steel, fixing material, 10 l/min flow (accessories for optional 4 or 15 l/min available) , for installation in dry- or prewall installation systems, compact installation / servicing dimensions, connection to KHS Mini Control-System possible, optional KHS temperature-sensor Pt1000 and KHS CONTROL-PLUS flow sensor available, time and temperature based flushing possible, two operating modes programmable (e. g. for school and holiday periods), logbook with 3000 entries for flushing and system events, integrated overflow monitoring , BMS interface via digital i/o, male pipe thread, drain with integrated odour trap DN 50, with two integrated solenoid valves and mesh DN 15, with isolating function for maintenance, DVGW approval W 540, SVGW approval, according to accepted materials list from German environmental agency, soundproofing certification according to DIN EN ISO 3822 Class 1 (up to 15 l/min), pressure rating PN 10, max. operating temperature 70 °C, protection class IP45, power supply 230 V AC, operating voltage 12 V DC, electrical power input 14 W

part no.	DN	male thread	drain connection (mm)	shipping weight (kg)		
6890300200	15	R 1/2	50	5.00		

accessories	page
temperature sensor for KHS HS2 [®] hygiene flushing box, figure 689 00	86
BMS connecting cable via digital I/O for KHS HS2 [®] hygiene flushing box, figure 689 05 001	113
connection set surface-mounted CAN bus for KHS HS2 [®] hygiene flushing box, figure 689 06 001	112
connection set flush-mounted CAN bus for KHS HS2 [®] hygiene flushing box, figure 689 06 002	112
cover for KHS HS2 [®] hygiene flushing box, figure 689 07 001	112
CONTROL-PLUS flow measurement valve for KHS HS2 [®] hygiene flushing box, figure 689 4G 001	112
service set (4, 10, 15 l/min) for KHS HS2 [®] hygiene flushing box, figure 689 99 001	113



KHS HS2[®], hygiene-flushing box, with flow sensor, single port, incl. cover panel, figure 689 03 003

to avoid stagnation acc. to standards and guidelines, allows water exchange with turbulent flow in drinking water pipes up to DN 50, operation via Bluetooth with HS2[®]-App (Bluetooth can be switched off), Single port (water exchange group) for cold drinking water (PWC), consisting of: solenoid valve unit(s) with locking pin and flow restrictor, maintenance cut-off(s), coupling piece(s), power pack with output cable, length 5 m, control unit, building shell set, building protection, may be cut to size, cover panel made of brushed stainless steel, fixing material, 10 l/min flow (accessories for optional 4 or 15 l/min available) , for installation in dry- or prewall installation systems, compact installation / servicing dimensions, connection to KHS Mini Control-System possible, optional KHS temperature-sensor Pt1000 available, time, temperature and volume based flushing possible , two operating modes programmable (e. g. for school and holiday periods), logbook with 3000 entries for flushing and system events, integrated overflow monitoring , BMS interface via digital i/o, male pipe thread, drain with integrated odour trap DN 50, with integrated solenoid valve and mesh DN 15, with isolating function for maintenance, DVGW approval W 540, SVGW approval, according to accepted materials list from German environmental agency, soundproofing certification according to DIN EN ISO 3822 Class 1 (up to 15 l/min), pressure rating PN 10, max. operating temperature 70 °C, protection class IP45, power supply 230 V AC, operating voltage 12 V DC, electrical power input 14 W

part no.	DN	male thread	drain connection (mm)	shipping weight (kg)		
6890300300	15	R 1/2	50	4.70		

accessories	page
temperature sensor for KHS HS2 [®] hygiene flushing box, figure 689 00	86
BMS connecting cable via digital I/O for KHS HS2 [®] hygiene flushing box, figure 689 05 001	113
connection set surface-mounted CAN bus for KHS HS2 [®] hygiene flushing box, figure 689 06 001	112
connection set flush-mounted CAN bus for KHS HS2 [®] hygiene flushing box, figure 689 06 002	112
cover for KHS HS2 [®] hygiene flushing box, figure 689 07 001	112
service set (4, 10, 15 l/min) for KHS HS2 [®] hygiene flushing box, figure 689 99 001	113




KHS HS2®, hygiene-flushing box, with flow sensor, double port, incl. cover panel, figure 689 03 004

to avoid stagnation acc. to standards and guidelines, allows water exchange with turbulent flow in drinking water pipes up to DN 50, operation via Bluetooth with HS2®-App (Bluetooth can be switched off), double port (water exchange groups) for connection of e.g. PWC and PWH, consisting of: solenoid valve unit(s) with locking pin and flow restrictor, maintenance cut-off(s), coupling piece(s), power pack with output cable, length 5 m, control unit, building shell set, building protection, may be cut to size, cover panel made of brushed stainless steel, fixing material, 10 l/min flow (accessories for optional 4 or 15 l/min available) , for installation in dry- or prewall installation systems, compact installation / servicing dimensions, connection to KHS Mini Control-System possible, optional KHS temperature-sensor Pt1000 available, time, temperature and volume based flushing possible , two operating modes programmable (e. g. for school and holiday periods), logbook with 3000 entries for flushing and system events, integrated overflow monitoring , BMS interface via digital i/o, male pipe thread, drain with integrated odour trap DN 50, with two integrated solenoid valves and mesh DN 15, with isolating function for maintenance, DVGW approval W 540, SVGW approval, according to accepted materials list from German environmental agency, soundproofing certification according to DIN EN ISO 3822 Class 1 (up to 15 l/min), pressure rating PN 10, max. operating temperature 70 °C, protection class IP45, power supply 230 V AC, operating voltage 12 V DC, electrical power input 14 W

part no.	DN	male thread	drain connection (mm)	shipping weight (kg)		
6890300400	15	R 1/2	50	5.50		

accessories	page
temperature sensor for KHS HS2® hygienie flushing box, figure 689 00	86
BMS connecting cable via digital I/O for KHS HS2® hygienie flushing box, figure 689 05 001	113
connection set surface-mounted CAN bus for KHS HS2® hygienie flushing box, figure 689 06 001	112
connection set flush-mounted CAN bus for KHS HS2® hygienie flushing box, figure 689 06 002	112
cover for KHS HS2® hygienie flushing box, figure 689 07 001	112
service set (4, 10, 15 l/min) for KHS HS2® hygienie flushing box, figure 689 99 001	113



KHS temperature sensor Pt 1000, figure 628 0G

for connection to the KHS control systems, for temperature-controlled flushing, the KHS Hygiene Flush Box PRO, or the building management system (BMS), wetted metal parts made from dezincification-free and corrosion-resistant gunmetal, resistant against aggressive water, including 4-wire Pt1000 temperature sensor, full bore, male union thread, free from dead spots, WRAS approval, according to accepted materials list from German environmental agency, DIN EN 60751, ÜA-Reg.-Nr. R-15.2.3-21-17048, WIEN-ZE-RT, pressure rating PN 16, min. operating temperature 0 °C, max. operating temperature 105 °C, length of connection cable 1 m, wire cross section 4 x 0.22 mm², diameter of the sensor 0.2 in, tolerance class A

part no.	DN	connection	length (mm)	shipping weight (kg)		
6280G01500	15	G 3/4	65	0.38		
6280G02000	20	G 1	67	0.43		
6280G02500	25	G 1 1/4	72	0.59		
6280G03200	32	G 1 1/2	77	0.66		
6280G04000	40	G 1 3/4	82	0.76		
6280G05000	50	G 2 3/8	90	1.17		

accessories	page
insulation shell for MULTI T-PIECE, figure 471 28	105
union connections	from 99



temperature sensor for KHS HS2® hygiene flushing box, figure 689 00

for temperature controlled operation of the KHS HS2® hygiene-flushing box, to be connected to KHS HS2® hygiene-flushing box, wetted metal parts made from dezincification-free and corrosion-resistant gunmetal, resistant against aggressive water, male union thread, free from dead spots, according to accepted materials list from German environmental agency, DIN EN 60751, ÜA-Reg.-Nr. R-15.2.3-21-17048, WIEN-ZERT, pressure rating PN 16, max. operating temperature 105 °C, length of connection cable 5 m

part no.	DN	connection	length (mm)	shipping weight (kg)		
6890001500	15	G 3/4	65	0.49		
6890002000	20	G 1	67	0.55		
6890002500	25	G 1 1/4	72	0.70		
6890003200	32	G 1 1/2	77	0.77		
6890004000	40	G 1 3/4	82	0.87		
6890005000	50	G 2 3/8	90	1.29		

accessories	page
insulation shell for MULTI T-PIECE, figure 471 28	105
union connections	from 99



KHS Flush Point, 24 V, figure 684 00

complete Flush Point for automatically triggering water change to ensure proper operation, enables turbulent water exchange in drinking water pipes up to DN 100 (double turbulent up to DN 65), WESER stop valve as maintenance cut-off, quarter-turn stop valve PLUS with 24-V spring return actuator, incl. electroless reset, flow limiter, 4, 10 and 20 l/min, for pressure independent flow limitation, free drain with overflow sensor, wetted metal parts made of stainless steel and gunmetal, easy maintenance while installed, for connection to the building management system (BMS), with a black handwheel, free from dead spots, for vertical installation, drainage device in accordance with DIN EN 1717 with built-in float switch, Open position indicator, plastic parts with KTW and W 270 approval, according to accepted materials list from German environmental agency, ÜA-Reg.-Nr. R-15.2.3-21-17048, WIEN-ZERT, pressure rating PN 16, min. operating temperature 0 °C, max. operating temperature 65 °C, max. ambient temperature 55 °C, protection class IP54, power supply 24 V DC, position feedback 0...10 V, elapsed time for actuated changeover 90 s, elapsed time for spring driven changeover 15 s

part no.	DN	drain connection (mm)	shipping weight (kg)		
6840001500	15	50	3.06		



KHS Flush Point, 24 V, with CONTROL-PLUS, figure 684 01

complete Flush Point for automatically triggering water change to ensure proper operation, enables turbulent water exchange in drinking water pipes up to DN 100 (double turbulent up to DN 65), WESER stop valve as maintenance cut-off, CONTROL-PLUS flow and temperature sensor, 4–20 mA, incl. cable, M12x1, quarter-turn stop valve PLUS with 24-V spring return actuator, incl. electroless reset, flow limiter, 4, 10 and 20 l/min, for pressure independent flow limitation, free drain with overflow sensor, wetted metal parts made of stainless steel and gunmetal, easy maintenance while installed, for connection to the building management system (BMS), with a black handwheel, free from dead spots, for vertical installation, drainage device in accordance with DIN EN 1717 with built-in float switch, Open position indicator, plastic parts with KTW and W 270 approval, according to accepted materials list from German environmental agency, ÜA-Reg.-Nr. R-15.2.3-21-17048, WIEN-ZERT, pressure rating PN 10, min. operating temperature 0 °C, max. operating temperature 65 °C, max. ambient temperature 55 °C, protection class IP54, power supply 24 V DC, position feedback 0...10 V, elapsed time for actuated changeover 90 s, elapsed time for spring driven changeover 15 s


part no.	DN	drain connection (mm)	shipping weight (kg)		
6840101500	15	50	3.94		



KHS Flush Point, 230 V, figure 684 04

complete Flush Point for automatically triggering water change to ensure proper operation, enables turbulent water exchange in drinking water pipes up to DN 100 (double turbulent up to DN 65), WESER stop valve as maintenance cut-off, quarter-turn stop valve PLUS with spring return actuator, 230 V, incl. electroless reset, flow limiter, 4, 10 and 20 l/min, for pressure independent flow limitation, free drain with overflow sensor, for connection to KHS control systems, KHS timer set and leak detection systems, wetted metal parts made of stainless steel and gunmetal, easy maintenance while installed, with a black handwheel, free from dead spots, for vertical installation, drainage device in accordance with DIN EN 1717 with built-in float switch, Open position indicator, plastic parts with KTW and W 270 approval, according to accepted materials list from German environmental agency, ÜA-Reg.-Nr. R-15.2.3-21-17048, WIEN-ZERT, pressure rating PN 16, min. operating temperature 0 °C, max. operating temperature 65 °C, max. ambient temperature 55 °C, protection class IP54, power supply 230 V AC, elapsed time for actuated changeover 90 s, elapsed time for spring driven changeover 15 s

part no.	DN	drain connection (mm)	shipping weight (kg)		
6840401500	15	50	3.73		



KHS Flush Point, 230 V, with CONTROL-PLUS, figure 684 05

complete Flush Point for automatically triggering water change to ensure proper operation, enables turbulent water exchange in drinking water pipes up to DN 100 (double turbulent up to DN 65), WESER stop valve as maintenance cut-off, CONTROL-PLUS flow and temperature sensor, incl. cable, M12x1, quarter-turn stop valve PLUS with spring return actuator, 230 V, incl. electroless reset, flow limiter, 4, 10 and 20 l/min, for pressure independent flow limitation, free drain with overflow sensor, for integration in existing KHS mini control system, wetted metal parts made of stainless steel and gunmetal, easy maintenance while installed, with a black handwheel, free from dead spots, for vertical installation, drainage device in accordance with DIN EN 1717 with built-in float switch, Open position indicator, plastic parts with KTW and W 270 approval, according to accepted materials list from German environmental agency, ÜA-Reg.-Nr. R-15.2.3-21-17048, WIEN-ZERT, pressure rating PN 10, min. operating temperature 0 °C, max. operating temperature 65 °C, max. ambient temperature 55 °C, protection class IP54, power supply 230 V AC, elapsed time for actuated changeover 90 s, elapsed time for spring driven changeover 15 s

part no.	DN	drain connection (mm)	shipping weight (kg)		
6840501500	15	50	4.10		



KHS Mini Control System MASTER 2.1, figure 686 02 008

to control, log and monitor water exchange measures in PWC and PWH installations, decentralized control system for all KHS components, to control max. each one KHS quarter turn stop valve, KHS temperature sensor, KHS flow sensor and KHS overflow sensor, can be extended with max. 62 KHS SLAVE Control Systems via CAN bus cable (max. cable length 2000 m), USB interface for software update, log file transfer, data logging and up- or download of the configuration file, to control max. 60 KHS HS2® flushing boxes with single port that are connected via a KHS HS2® terminal box each, to control max. 30 KHS HS2® flushing boxes with double port that are connected via a KHS HS2® terminal box each, PC or network link through supplied adapter cable possible, optional BMS connection possible via Modbus TCP/IP, BACnet IP or MS/TP, acoustic and visual alarm signal during fault (can be switched off), alarm acknowledgement on unit and notification via email during malfunction possible, programming and read out via integrated web-browser, 16 operating modes programmable for temperature, time, flow rate, routine, and isolating times, data logging available, data logging capacity of 12 million lines for temperature, flow, consumption; log rate 1 s to 59 min, with manual mode for all actuators, for wall installation, logbook with 50 000 entries for flushing and system events, display with background light, for controlling up to max. 60 KHS Hygiene Flush Boxes PRO with single port, for controlling up to max. 30 KHS Hygiene Flush Boxes PRO with double port, min. ambient temperature 0 °C, max. ambient temperature 50 °C, protection class IP54, power supply 230 V AC, external input 230 V, switching capacity 230 V, 2 A, floating alarm relay, max. 230 V, 2 A, own consumption 7 W,

note: can only be combined with actuated KHS quarter turn stop valves (PLUS), 230 Volt, please commission and maintain according to the operating instructions at the construction site or optionally order these

part no.	shipping weight (kg)
6860200800	1.16

accessories	page
KHS CoolFlow cold water balancing valve, with 230 V actuator, figure 615 0G	78
KHS Flush Point, 230 V, figure 684 04	88
KHS Flush Point, 230 V, with CONTROL-PLUS, figure 684 05	88
KHS quarter turn stop valve, with 230 V actuator, figure 686 04	93
KHS quarter turn stop valve PLUS, 230 V spring return actuator, figure 686 05	93
CONTROL-PLUS flow and temperature sensor, Hz signal, union thread, figure 138 4G	95
KHS temperature sensor Pt 1000, figure 628 0G	86
KHS free drain with overflow sensor, figure 688 00	94
KHS BACnet Gateway L for MASTER 2.0/2.1, figure 686 02 023	114
KHS BACnet Gateway XL for MASTER 2.0/2.1, figure 686 02 024	114
connection set surface-mounted CAN bus for KHS HS2® hygiene flushing box, figure 689 06 001	112
connection set flush-mounted CAN bus for KHS HS2® hygiene flushing box, figure 689 06 002	112
Modbus TCP/IP licence for MASTER 2.0/2.1, figure 99 3590	114



KHS Mini Control System SLAVE, figure 686 02 006

to control, log and monitor water exchange measures in PWC and PWH installations, as an expansion module for the KHS mini control system MASTER 2.0/2.1, expandable by 62 units in the CAN-bus in the MASTER/SLAVE system, to control max. each one KHS quarter turn stop valve, KHS temperature sensor, KHS flow sensor and KHS overflow sensor, operating modes: time, temperature and flow rate, settings will be adopted by KHS MASTER 2.0/2.1 via CAN bus cable, for wall installation, 16 operating modes programmable for temperature, time, flow rate, routine, and isolating times, data logging available, min. ambient temperature 0 °C, max. ambient temperature 50 °C, protection class IP54, power supply 230 V AC, external input 230 V, switching capacity 230 V, 2 A, floating alarm relay, max. 230 V, 2 A, own consumption 3 W,

note: can only be combined with actuated KHS quarter turn stop valves (PLUS), 230 Volt, please commission and maintain according to the operating instructions at the construction site or optionally order these

part no.	shipping weight (kg)
6860200600	0.61

accessories	page
KHS CoolFlow cold water balancing valve, with 230 V actuator, figure 615 0G	78
KHS Flush Point, 230 V, figure 684 04	88
KHS Flush Point, 230 V, with CONTROL-PLUS, figure 684 05	88
KHS quarter turn stop valve, with 230 V actuator, figure 686 04	93
KHS quarter turn stop valve PLUS, 230 V spring return actuator, figure 686 05	93
CONTROL-PLUS flow and temperature sensor, Hz signal, union thread, figure 138 4G	95
KHS temperature sensor Pt 1000, figure 628 0G	86
KHS free drain with overflow sensor, figure 688 00	94



KHS timer, figure 686 02 012

for time-controlled water exchange of terminal or rarely flooded pipe sections, for controlled isolation of water installations and for time based water exchange to maintain an intended use, KHS timer with integrated timer switch, for connecting max. one KHS quarter-turn stop valve or KHS quarter-turn stop valve PLUS and a KHS overflow monitoring unit each, with detachable visual and / or acoustic error signal, with potential free contact for error transmission to BMS, with manual override button on control box, for wall installation, max. 16 programmable events, display with background light, min. ambient temperature 0 °C, max. ambient temperature 50 °C, protection class IP54, power supply 230 V AC, switching capacity 230 V, 2 A, floating alarm relay, max. 230 V, 2 A, own consumption 3 W

part no.	shipping weight (kg)
6860201200	0.47

accessories	page
KHS Flush Point, 230 V, figure 684 04	88
KHS quarter turn stop valve, with 230 V actuator, figure 686 04	93
KHS quarter turn stop valve PLUS, 230 V spring return actuator, figure 686 05	93
KHS free drain with overflow sensor, figure 688 00	94



KHS Logic control system, figure 686 02 003

centralized control of actuators and sensors, with configuration and visualisation software, CX_9000 CPU, to control and log actuated valves, temperature- and flow sensors, overflow sensors and hygiene flushing boxes, operating modes: time, temperature and flow rate, to control, log and monitor water exchange measures in PWC and PWH installations, PLC and control modules for KHS sensors and actuators, can be integrated into a homenetwork or connected to an external PC, ethernet interface, max. ambient temperature 55 °C, protection class IP55, power supply 230 V AC,

note: can only control actuated 24 volt KHS quarter turn stop valves, KEMPER recommends ordering the position 'commissioning' as well. The configuration available on request.

part no.	length (mm)	depth (mm)	height (mm)	shipping weight (kg)		
6860200300	760	210	760	50.90		

- STOP VALVES
- SAFETY VALVES
- PRVs / Filter
- REGULATING VALVES
- MEASURING VALVES
- SAMPLING VALVES
- FLUSH MOUNTED VALVES
- WATER METER
- OUTDOOR TAP
- TRESOR
- OTHER
- KHS
- ACCESSORIES
- SPARE PARTS



KHS quarter turn stop valve, with 24 V actuator, figure 686 00

electrical shut-off device, can be combined with flushing system, low pressure loss, wetted metal parts made of stainless steel and gunmetal, two position step actuator with status feedback, 90° rotatable, water hammer free operation, easy maintenance while installed, maintenance free gear, for connection to KHS Logic Control System or BMS, self-centering shaft adapter with flange for assembly on the valve, male union thread, removable inner top part TOP-ENTRY, with EPDM gasket body and stainless steel ball, free from dead spots, DVGW approval, according to DVGW worksheet W 570, according to accepted materials list from German environmental agency, soundproofing certification according to DIN EN ISO 3822 Class 1, DIN EN 13828, ÜA-Reg.-Nr. R-15.2.3-21-17048, WIEN-ZERT, pressure rating PN 16, max. operating temperature 75 °C, max. ambient temperature 55 °C, protection class IP54, power supply 24 V AC/DC, position feedback 0...10 V, elapsed time for actuated changeover 35 s, length of connection cable 1.2 m, wire cross section 5 x 0.5 mm², electrical power input 9 W

part no.	DN	connection	length (mm)	shipping weight (kg)		
6860001500	15	G 3/4	73	1.42		
6860002000	20	G 1	73	1.45		
6860002500	25	G 1 1/4	88	1.57		
6860003200	32	G 1 1/2	93	1.74		

accessories	page
KHS free drain with overflow sensor, figure 688 00	94
insulation shell for quarter turn stop valves and CONTROL-PLUS sensors, figure 471 19	105
flow limiter, figure 697	94
union connections	from 99



KHS quarter turn stop valve PLUS, 24 V spring return actuator, figure 686 01

electrical shut-off device, can be combined with flushing system, low pressure loss, wetted metal parts made of stainless steel and gunmetal, two position spring return actuator with status feedback and electroless reset, 90° rotatable, water hammer free operation, easy maintenance while installed, maintenance free gear, for connection to KHS Logic Control System or BMS, self-centering shaft adapter with flange for assembly on the valve, male union thread, removable inner top part TOP-ENTRY, with EPDM gasket body and stainless steel ball, free from dead spots, DVGW approval, according to DVGW worksheet W 570, according to accepted materials list from German environmental agency, soundproofing certification according to DIN EN ISO 3822 Class 1, DIN EN 13828, ÜA-Reg.-Nr. R-15.2.3-21-17048, WIEN-ZERT, pressure rating PN 16, max. operating temperature 75 °C, max. ambient temperature 55 °C, protection class IP54, power supply 24 V DC, position feedback 0...10 V, elapsed time for actuated changeover 90 s, elapsed time for spring driven changeover 15 s, length of connection cable 0.9 m, wire cross section 4 x 0.75 mm², electrical power input 3.5 W

part no.	DN	connection	length (mm)	shipping weight (kg)		
6860101500	15	G 3/4	73	1.99		
6860102000	20	G 1	73	2.05		
6860102500	25	G 1 1/4	88	2.02		
6860103200	32	G 1 1/2	93	2.19		

accessories	page
KHS free drain with overflow sensor, figure 688 00	94
insulation shell for quarter turn stop valves and CONTROL-PLUS sensors, figure 471 19	105
AC/DC converter, figure 686 01 001	114
flow limiter, figure 697	94
union connections	from 99



KHS quarter turn stop valve, with 230 V actuator, figure 686 04

electrical shut-off device, can be combined with flushing system, low pressure loss, wetted metal parts made of stainless steel and gunmetal, two position actuator with limit sensor and actuator cut-off, 90° rotatable, water hammer free operation, easy maintenance while installed, maintenance free gear, for integration in existing KHS mini control system, self-centering shaft adapter with flange for assembly on the valve, male union thread, removable inner top part TOP-ENTRY, with EPDM gasket body and stainless steel ball, free from dead spots, DVGW approval, according to DVGW worksheet W 570, according to accepted materials list from German environmental agency, soundproofing certification according to DIN EN ISO 3822 Class 1, DIN EN 13828, ÜA-Reg.-Nr. R-15.2.3-21-17048, WIEN-ZERT, pressure rating PN 16, max. operating temperature 75 °C, max. ambient temperature 55 °C, protection class IP54, power supply 230 V AC, elapsed time for actuated changeover 35 s, length of connection cable 1.2 m, wire cross section 3 x 0.75 mm²

part no.	DN	connection	length (mm)	shipping weight (kg)		
6860401500	15	G 3/4	73	1.41		
6860402000	20	G 1	73	1.14		
6860402500	25	G 1 1/4	88	1.55		
6860403200	32	G 1 1/2	93	1.72		

accessories	page
KHS free drain with overflow sensor, figure 688 00	94
insulation shell for quarter turn stop valves and CONTROL-PLUS sensors, figure 471 19	105
flow limiter, figure 697	94
union connections	from 99




KHS quarter turn stop valve PLUS, 230 V spring return actuator, figure 686 05

electrical shut-off device, can be combined with flushing system, low pressure loss, wetted metal parts made of stainless steel and gunmetal, spring return actuator with electroless reset for controls with switched output, 90° rotatable, water hammer free operation, easy maintenance while installed, maintenance free gear, for integration in existing KHS mini control system, self-centering shaft adapter with flange for assembly on the valve, male union thread, removable inner top part TOP-ENTRY, with EPDM gasket body and stainless steel ball, free from dead spots, DVGW approval, according to DVGW worksheet W 570, according to accepted materials list from German environmental agency, soundproofing certification according to DIN EN ISO 3822 Class 1, DIN EN 13828, ÜA-Reg.-Nr. R-15.2.3-21-17048, WIEN-ZERT, pressure rating PN 16, max. operating temperature 75 °C, max. ambient temperature 55 °C, protection class IP54, power supply 230 V AC, elapsed time for actuated changeover 90 s, elapsed time for spring driven changeover 15 s, length of connection cable 1.2 m, wire cross section 2 x 0.75 mm²


part no.	DN	connection	length (mm)	shipping weight (kg)		
6860501500	15	G 3/4	73	2.18		
6860502000	20	G 1	73	1.58		
6860502500	25	G 1 1/4	88	2.43		
6860503200	32	G 1 1/2	93	2.35		

accessories	page
KHS free drain with overflow sensor, figure 688 00	94
insulation shell for quarter turn stop valves and CONTROL-PLUS sensors, figure 471 19	105
flow limiter, figure 697	94
union connections	from 99



flow limiter, figure 697

wetted metal parts made from dezincification-free and corrosion-resistant gunmetal, resistant against aggressive water, for pressure independent flow limitation, inlet union nut, outlet male thread, free from dead spots, for any installation position, plastic parts with KTW and W 270 approval, according to accepted materials list from German environmental agency, ÜA-Reg.-Nr. R-15.2.3-21-17048, WIEN-ZERT, pressure rating PN 16, max. operating temperature 65 °C

part no.	DN	flow rate (l/min)	connection	length (mm)	shipping weight (kg)		
6970101500	15	2	G 3/4	37	0.14		
6970201500	15	10	G 3/4	37	0.13		
6970301500	15	20	G 3/4	37	0.13		
6970102000	20	38	G 1	37	0.17		
6970102500	25	70	G 1 1/4	37	0.31		
6970103200	32	110	G 1 1/2	38	0.40		



KHS free drain with overflow sensor, figure 688 00

to protect against overflow due to drain block, wetted metal parts made from dezincification-free and corrosion-resistant gunmetal, resistant against aggressive water, easy maintenance while installed, for connection to KHS control systems, KHS timer set and leak detection systems, for use in combination with KHS quarter turn stop valves, female pipe thread, free drain according to EN 17117 with integrated overflow sensor, overflow sensor as NCC in delivery status, can be changed to NOC when turned, for vertical installation, WRAS approval, according to accepted materials list from German environmental agency, ÜA-Reg.-Nr. R-15.2.3-21-17048, WIEN-ZERT, protection class IP68, switching capacity 230 V, 0,04 A, length of connection cable 1 m, wire cross section 2 x 0.25 mm²

part no.	for DN	drain connection (mm)	shipping weight (kg)		
6880002000	15-20	75	1.55		
6880002500	25	75	1.52		
6880003200	32	75	1.44		




CONTROL-PLUS flow and temperature sensor, Hz signal, union thread, figure 138 4G

frequency output signal, for the accurate measurement of flow rates and temperatures in drinking water systems, wetted metal parts made from dezincification-free and corrosion-resistant gunmetal, resistant against aggressive water, sensor housing for low pressure loss, up to 50% of measuring range: divergence max. 1% of full-scale reading, from 50% of measuring range: deviation max. 2% of measured value, for connection to the KHS control systems, male union thread, free from dead spots, with vortex flow sensor that includes a 2-wire Pt1000, 5-pin M12x1 interface, readout and display of values via additional available KHS potable measuring instrument, WRAS approval, plastic parts with KTW and W 270 approval, according to accepted materials list from German environmental agency, ÚA-Reg.-Nr. R-15.2.3-21-17048, WIEN-ZERT, pressure rating PN 10, min. flow velocity 0.2 m/s, max. flow velocity 2.5 m/s, min. operating temperature 0 °C, max. operating temperature 100 °C, protection class IP65, power supply 5 V DC,

note: optional cable M12x1 required for connection to KHS control systems, DN 10 is recommended for use with flow limiter 2 l/min

part no.	DN	connection	measurement range (l/min)	length (mm)	shipping weight (kg)		
1384G01000	10	G 3/4	0.9 - 15	65	0.31		
1384G01500	15	G 3/4	1.8 - 32	65	0.29		
1384G02500	25	G 1 1/4	5 - 85	86	0.52		
1384G03200	32	G 1 1/2	9 - 150	109	0.70		
1384G04000	40	G 1 3/4	11 - 188	109	0.89		
1384G05000	50	G 2 3/8	18 - 316	113	1.33		

accessories	page
insulation shell for quarter turn stop valves and CONTROL-PLUS sensors, figure 471 19	105
CONTROL-PLUS hand-held measuring device for sensors, figure 138 00 002	52
sensor measuring module, figure 138 00 011	53
M12x1 cable with loose litz wires, figure 138 00 012	51
union connections	from 99



CONTROL-PLUS flow and temperature sensor, 4 - 20 mA signal, union thread, figure 138 6G

standard industrial signal (4 to 20 mA), for the accurate measurement of flow rates and temperatures in drinking water systems, wetted metal parts made from dezincification-free and corrosion-resistant gunmetal, resistant against aggressive water, sensor housing for low pressure loss, up to 50% of measuring range: divergence max. 1% of full-scale reading, from 50% of measuring range: deviation max. 2% of measured value, for connection to the building management system (BMS), male union thread, free from dead spots, with vortex flow sensor that includes a 2-wire Pt1000, 5-pin M12x1 interface, WRAS approval, plastic parts with KTW and W 270 approval, according to accepted materials list from German environmental agency, ÜA-Reg.-Nr. R-15.2.3-21-17048, WIEN-ZERT, pressure rating PN 10, min. flow velocity 0.2 m/s, max. flow velocity 2.5 m/s, min. operating temperature 0 °C, max. operating temperature 100 °C, protection class IP65, power supply 8...33 V DC,

note: incl. M12x1 cable with loose litz wires, DN 10 is recommended for use with flow limiter 2 l/min

part no.	DN	connection	measurement range (l/min)	length (mm)	shipping weight (kg)		
1386G01000	10	G 3/4	0.9 - 15	65	0.36		
1386G01500	15	G 3/4	1.8 - 32	65	0.35		
1386G02000	20	G 1	3.5 - 50	75	0.31		
1386G02500	25	G 1 1/4	5 - 85	86	0.57		
1386G03200	32	G 1 1/2	9 - 150	109	0.74		
1386G04000	40	G 1 3/4	11 - 188	109	0.94		
1386G05000	50	G 2 3/8	18 - 316	113	1.37		

accessories	page
insulation shell for quarter turn stop valves and CONTROL-PLUS sensors, figure 471 19	105
union connections	from 99



backing ring for stub flange, figure 410 00

wetted metal parts made from dezincification-free and corrosion-resistant gunmetal, resistant against aggressive water, according to accepted materials list from German environmental agency, similar to DIN 2642, ÜA-Reg.-Nr. R-15.2.3-21-17048, WIEN-ZERT, pressure rating PN 16, max. operating temperature 200 °C

part no.	DN	hole pattern (PN)	bolt holes	shipping weight (kg)		
4100003200	32	10/16	4	1.80		
4100004000	40	10/16	4	2.04		
4100005000	50	10/16	4	2.44		
4100006500	65	10/16	4	2.92		
4100008000	80	10/16	8	3.53		
4100010000	100	10/16	8	3.92		
4100012500	125	10/16	8	4.79		
4100015000	150	10/16	8	6.03		



stub flange, figure 425 00

for use with backing ring, made of copper, according to accepted materials list from German environmental agency, pressure rating PN 10, max. operating temperature 200 °C

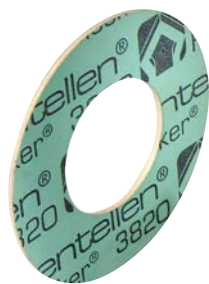
part no.	DN	connection (mm)	length (mm)	shipping weight (kg)		
4250001500	15	15	9	0.03		
4250001800	15	18	9	0.03		
4250002000	20	22	10.5	0.05		
4250002500	25	28	13	0.07		
4250003200	32	35	15	0.09		
4250004000	40	42	15	0.10		
4250005000	50	54	17	0.16		
4250007600	65	76	21	0.19		
4250008900	80	89	23	0.23		
4250010800	100	108	19	0.40		
4250013300	125	133	22	0.62		



threaded flange, figure 426 00

wetted metal parts made from dezincification-free and corrosion-resistant gunmetal, resistant against aggressive water, according to accepted materials list from German environmental agency, similar to DIN 2566, ÚA-Reg.-Nr. R-15.2.3-21-17048, WIEN-ZERT, pressure rating PN 16, max. operating temperature 200 °C

part no.	DN	hole pattern (PN)	bolt holes	shipping weight (kg)		
4260001500	15	10/16	4	0.68		
4260002000	20	10/16	4	1.00		
4260002500	25	10/16	4	1.20		
4260003200	32	10/16	4	1.60		
4260004000	40	10/16	4	1.81		
4260005000	50	10/16	4	2.49		
4260006500	65	10/16	4	3.33		
4260008000	80	10/16	8	4.12		
4260010000	100	10/16	8	4.76		



gasket, figure 428 00

Centellen®, plastic parts according to KTW recommendations, according to accepted materials list from German environmental agency, pressure rating PN 25, max. operating temperature 200 °C

part no.	DN	shipping weight (kg)		
4280001500	15	0.01		
4280002000	20	0.01		
4280002500	25	0.01		
4280003200	32	0.01		
4280004000	40	0.02		
4280005000	50	0.02		
4280006500	65	0.03		
4280008000	80	0.03		
4280010000	100	0.03		
4280012500	125	0.03		
4280015000	150	0.05		



hexagonal bolt and nut, figure 429 M

made of stainless steel 1.4301 (304), with hex nut

part no.	for DN	diameter (mm)	length (mm)	shipping weight (kg)		
429M125000	15-25	12	50	0.07		
429M165000	32-50	16	50	0.13		
429M166000	65-125	16	60	0.15		
429M207500	150-200	20	75	0.29		



gunmetal solder union connector, figure 476 04

wetted metal parts made from dezincification-free and corrosion-resistant gunmetal, resistant against aggressive water, with coupling nut for flat sealing connection thread including EPDM gasket, according to accepted materials list from German environmental agency, DIN EN 1213, ÜA-Reg.-Nr. R-15.2.3-21-17048, WIEN-ZERT

part no.	DN	diameter (mm)	connection	length (mm)	shipping weight (kg)		
4760401500	15	15	G 3/4	20	0.06		
4760411800	15	18	G 3/4	19	0.06		
4760401800	20	18	G 1	21	0.07		
4760402000	20	22	G 1	21	0.07		
4760402500	25	28	G 1 1/4	24	0.12		
4760403200	32	35	G 1 1/2	29	0.15		
4760404000	40	42	G 1 3/4	36	0.25		
4760405000	50	54	G 2 3/8	43	0.41		



gunmetal union connector, union nut, FPT, figure 476 06

wetted metal parts made from dezincification-free and corrosion-resistant gunmetal, resistant against aggressive water, with coupling nut for flat sealing connection thread including EPDM gasket, according to accepted materials list from German environmental agency, DIN EN 1213, ÜA-Reg.-Nr. R-15.2.3-21-17048, WIEN-ZERT

part no.	DN	female thread	connection	length (mm)	shipping weight (kg)		
4760601500	15	Rp 1/2	G 3/4	57	0.14		
4760602000	20	Rp 3/4	G 1	60	0.19		
4760602500	25	Rp 1	G 1 1/4	67	0.29		
4760603200	32	Rp 1 1/4	G 1 1/2	71	0.41		
4760604000	40	Rp 1 1/2	G 1 3/4	72	0.50		
4760605000	50	Rp 2	G 2 3/8	82	0.77		
4760606500	65	Rp 2 1/2	G 3	84	1.35		
4760608000	80	Rp 3	G 3 1/2	94	1.92		



gunmetal union connector, union nut, FPT, figure 476 12

wetted metal parts made from dezincification-free and corrosion-resistant gunmetal, resistant against aggressive water, with coupling nut for conical sealing connection thread, according to accepted materials list from German environmental agency, DIN EN 1213, ÜA-Reg.-Nr. R-15.2.3-21-17048, WIEN-ZERT

part no.	DN	female thread	connection	length (mm)	shipping weight (kg)		
4761206500	65	Rp 2 1/2	G 3	84	1.19		
4761208000	80	Rp 3	G 3 1/2	94	1.80		



gunmetal union connector, union nut, FPT, with drain valve, figure 476 07

wetted metal parts made from dezincification-free and corrosion-resistant gunmetal, resistant against aggressive water, with coupling nut for flat sealing connection thread including EPDM gasket, according to accepted materials list from German environmental agency, DIN EN 1213, ÜA-Reg.-Nr. R-15.2.3-21-17048, WIEN-ZERT

part no.	DN	female thread	connection	length (mm)	shipping weight (kg)		
4760701500	15	Rp 1/2	G 3/4	57	0.20		
4760702000	20	Rp 3/4	G 1	60	0.26		
4760702500	25	Rp 1	G 1 1/4	67	0.37		
4760703200	32	Rp 1 1/4	G 1 1/2	71	0.47		
4760704000	40	Rp 1 1/2	G 1 3/4	72	0.57		
4760705000	50	Rp 2	G 2 3/8	82	0.83		



gunmetal union connector, union nut, MPT, figure 476 08

wetted metal parts made from dezincification-free and corrosion-resistant gunmetal, resistant against aggressive water, with coupling nut for flat sealing connection thread including EPDM gasket, according to accepted materials list from German environmental agency, DIN EN 1213, ÜA-Reg.-Nr. R-15.2.3-21-17048, WIEN-ZERT

part no.	DN	male thread	connection	length (mm)	shipping weight (kg)		
4760801500	15	R 1/2	G 3/4	29.5	0.08		
4760802000	20	R 3/4	G 1	33	0.12		
4760802500	25	R 1	G 1 1/4	37	0.18		
4760803200	32	R 1 1/4	G 1 1/2	41	0.22		
4760804000	40	R 1 1/2	G 1 3/4	42	0.31		
4760805000	50	R 2	G 2 3/8	53	0.54		
4760806500	65	R 2 1/2	G 3	63	0.86		
4760808000	80	R 3	G 3 1/2	68	1.29		



solder / pressfit union connector, figure 476 14

wetted metal parts made from dezincification-free and corrosion-resistant gunmetal, resistant against aggressive water, with coupling nut for flat sealing connection thread including EPDM gasket, for solder and press connection, according to accepted materials list from German environmental agency, DIN EN 1213, ÜA-Reg.-Nr. R-15.2.3-21-17048, WIEN-ZERT

part no.	DN	diameter (mm)	connection	length (mm)	shipping weight (kg)		
4761401500	15	15	G 3/4	39	0.07		
4761401800	15	18	G 3/4	37	0.07		
4761402000	20	22	G 1	42	0.10		
4761402500	25	28	G 1 1/4	47	0.21		
4761403200	32	35	G 1 1/2	50	0.27		
4761404000	40	42	G 1 3/4	59	0.30		
4761405000	50	54	G 2 3/8	63	0.50		



pressfit union connector, MAPRESS stainless steel and copper, figure 476 22

wetted metal parts made from dezincification-free and corrosion-resistant gunmetal, resistant against aggressive water, with coupling nut for flat sealing connection thread including EPDM gasket, press connection for Geberit MAPRESS pipe, according to accepted materials list from German environmental agency, DIN EN 1213, ÚA-Reg.-Nr. R-15.2.3-21-17048, WIEN-ZERT

part no.	DN	press fit (mm)	connection	length (mm)	shipping weight (kg)		
4762201500	15	15	G 3/4	31	0.08		
4762201800	15	18	G 3/4	31	0.08		
4762202000	20	22	G 1	32	0.11		
4762202500	25	28	G 1 1/4	36	0.18		
4762203200	32	35	G 1 1/2	39	0.22		
4762204000	40	42	G 1 3/4	43	0.26		
4762205000	50	54	G 2 3/8	50	0.47		



pressfit union connector, SANPRESS and PROFIPRESS, figure 476 30

made of silicon bronze or gunmetal, with coupling nut for flat sealing connection thread including EPDM gasket, press connection for Viega SANPRESS SST pipe and PROFIPRESS copper pipe, according to accepted materials list from German environmental agency, DIN EN 1213, ÚA-Reg.-Nr. R-15.2.3-21-17048, WIEN-ZERT

part no.	DN	press fit (mm)	connection	length (mm)	shipping weight (kg)		
4763001500	15	15	G 3/4	34	0.07		
4763001800	15	18	G 3/4	36.5	0.08		
4763002000	20	22	G 1	39	0.11		
4763002500	25	28	G 1 1/4	41.5	0.16		
4763003200	32	35	G 1 1/2	43.5	0.20		
4763004000	40	42	G 1 3/4	58	0.35		
4763005000	50	54	G 2 3/8	54	0.54		
4763006500	65	76	G 3	97	1.66		
4763008000	80	89	G 3 1/2	97	2.00		



pressfit union connector, SANHA and NiroSan, figure 476 35

made of silicon bronze or gunmetal, with coupling nut for flat sealing connection thread including EPDM gasket, press connection for SANHA and NiroSan pipe, according to accepted materials list from German environmental agency, DIN EN 1213

part no.	DN	press fit (mm)	connection	length (mm)	shipping weight (kg)		
4763501500	15	15	G 3/4	26	0.06		
4763501800	15	18	G 3/4	28	0.08		
4763502000	20	22	G 1	33	0.10		
4763502500	25	28	G 1 1/4	36	0.15		
4763503200	32	35	G 1 1/2	41	0.18		
4763504000	40	42	G 1 3/4	48	0.27		
4763505000	50	54	G 2 3/8	54	0.43		



pressfit union connector, MAPRESS stainless steel, figure 476 20

wetted parts made of stainless steel, with coupling nut for flat sealing connection thread including EPDM gasket, press connection Geberit MAPRESS, according to accepted materials list from German environmental agency, DIN EN 1213, ÜA-Reg.-Nr. R-15.2.3-21-17049, WIEN-ZERT

part no.	DN	press fit (mm)	connection	length (mm)	shipping weight (kg)		
4762001500	15	15	G 3/4	31	0.07		
4762001800	15	18	G 3/4	31	0.07		
4762002000	20	22	G 1	32	0.10		
4762002500	25	28	G 1 1/4	36	0.17		
4762003200	32	35	G 1 1/2	39	0.20		
4762004000	40	42	G 1 3/4	43	0.24		
4762005000	50	54	G 2 3/8	50	0.43		
4762006500	65	76	G 3	86	0.78		
4762008000	80	89	G 3 1/2	96	1.13		



pressfit union connector, SANPRESS INOX, figure 476 70

wetted parts made of stainless steel, with coupling nut for flat sealing connection thread including EPDM gasket, press connection Viega SANPRESS INOX, Screw connection made of brass, nickel plated, according to accepted materials list from German environmental agency, DIN EN 1213, ÜA-Reg.-Nr. R-15.2.3-21-17049, WIEN-ZERT

part no.	DN	press fit (mm)	connection	length (mm)	shipping weight (kg)		
4767001500	15	15	G 3/4	34	0.06		
4767001800	15	18	G 3/4	35	0.07		
4767002000	20	22	G 1	39	0.10		
4767002500	25	28	G 1 1/4	42	0.15		
4767003200	32	35	G 1 1/2	44	0.19		
4767004000	40	42	G 1 3/4	58	0.30		
4767005000	50	54	G 2 3/8	64	0.52		



pressfit union connector, MEPLA, figure 476 40

with coupling nut for flat sealing connection thread including EPDM gasket, press connection for Geberit MEPLA pipe, according to accepted materials list from German environmental agency, DIN EN 1213, ÜA-Reg.-Nr. R-15.2.3-21-17048, WIEN-ZERT

part no.	DN	da x s (mm)	connection	length (mm)	shipping weight (kg)		
4764001600	15	16 x 2.25	G 3/4	39.5	0.06		
4764001500	15	20 x 2.5	G 3/4	42	0.08		
4764002000	20	26 x 3.0	G 1	48	0.14		
4764002500	25	32 x 3.0	G 1 1/4	46.5	0.21		
4764003200	32	40 x 3.5	G 1 1/2	53	0.37		
4764004000	40	50 x 4.0	G 1 3/4	73	0.63		
4764005000	50	63 x 4.5	G 2 3/8	103	1.13		



pressfit union connector for Viega RAXOFIX, figure 476 32

made of silicon bronze, with coupling nut for flat sealing connection thread including EPDM gasket, pressfit connection for Viega RAXOFIX multi-layer pipe, according to accepted materials list from German environmental agency, DIN EN 1213, ÜA-Reg.-Nr. R-15.2.3-21-17048, WIEN-ZERT

part no.	DN	press fit (mm)	connection	length (mm)	shipping weight (kg)		
4763201600	15	16	G 3/4	36	0.07		
4763201500	15	20	G 3/4	37.5	0.08		
4763202000	20	25	G 1	43.5	0.13		
4763222500	25	25	G 1 1/4	45	0.23		
4763232500	25	32	G 1 1/4	49	0.27		
4763242500	25	40	G 1 1/4	59	0.29		
4763223200	32	25	G 1 1/2	46.5	0.22		
4763233200	32	32	G 1 1/2	44.5	0.24		
4763243200	32	40	G 1 1/2	54.5	0.31		
4763204000	40	50	G 1 3/4	59	0.43		
4763255000	50	50	G 2 3/8	58.5	0.53		
4763265000	50	63	G 2 3/8	59.5	0.56		



adaptor, double union nut, figure 101 06

for combination with KEMPER valves with male thread, wetted metal parts made from dezincification-free and corrosion-resistant gunmetal, resistant against aggressive water, according to accepted materials list from German environmental agency, ÜA-Reg.-Nr. R-15.2.3-21-17048, WIEN-ZERT

part no.	DN	connection	length (mm)	shipping weight (kg)		
1010601500	15	G 3/4	56	0.17		
1010602000	20	G 1	60	0.26		
1010602500	25	G 1 1/4	61	0.42		
1010603200	32	G 1 1/2	64	0.48		
1010604000	40	G 1 3/4	55	0.54		
1010605000	50	G 2 3/8	67	1.11		



insulation shell for inclined stop valves, figure 471 10

for stop valves, closed-cell foamed polyethylene, sound insulation, simple installation using the insulation clips or diffusion-resistant lockable using standard adhesives, to meet the requirements of EnEV 2014, building material class B1 according to DIN 4102 , CE marking, min. operating temperature -40 °C, max. operating temperature 90 °C,

note: not suitable for stop valve with flange connection

part no.	DN	shipping weight (kg)		
4711001500	15	0.02		
4711002000	20	0.02		
4711002500	25	0.03		
4711003200	32	0.05		
4711004000	40	0.06		
4711005000	50	0.08		



insulation shell for MULTI-THERM thermostatic balancing valve, figure 471 11

closed-cell foamed polyethylene, sound insulation, simple installation using the insulation clips or diffusion-resistant lockable using standard adhesives, to meet the requirements of EnEV 2014, building material class B1 according to DIN 4102 , CE marking, min. operating temperature -40 °C, max. operating temperature 90 °C

part no.	DN	shipping weight (kg)		
4711101500	15	0.02		
4711102000	20	0.02		
4711102500	25	0.03		



insulation shell for MULTI-FIX-PLUS static balancing valve, as of 01/2017, figure 471 26

suitable for figure 150 6G and figure 151 06, closed-cell foamed polyethylene, sound insulation, simple installation using the insulation clips or diffusion-resistant lockable using standard adhesives, to meet the requirements of EnEV 2014, building material class B1 according to DIN 4102 , CE marking, min. operating temperature -40 °C, max. operating temperature 90 °C

part no.	DN	shipping weight (kg)		
4712601500	15	0.02		
4712602000	20	0.02		
4712602500	25	0.01		
4712603200	32	0.01		
4712604000	40	0.03		
4712605000	50	0.09		



insulation shell for UP-PLUS and ETA-THERM valves, figure 471 14

closed-cell foamed polyethylene, sound insulation, simple installation using the insulation clips or diffusion-resistant lockable using standard adhesives, to meet the requirements of EnEV 2014, building material class B1 according to DIN 4102 , CE marking, min. operating temperature -40 °C, max. operating temperature 90 °C

part no.	for DN	shipping weight (kg)		
4711400000	15-20	0.02		
4711400100	25-32	0.02		



insulation shell for quarter turn stop valves and CONTROL-PLUS sensors, figure 471 19

closed-cell foamed polyethylene, sound insulation, simple installation using the insulation clips or diffusion-resistant lockable using standard adhesives, to meet the requirements of EnEV 2014, building material class B1 according to DIN 4102 , CE marking, min. operating temperature -40 °C, max. operating temperature 90 °C

part no.	for DN	shipping weight (kg)		
4711902000	15-20	0.01		
4711902500	25-32	0.02		



insulation shell for MULTI T-PIECE, figure 471 28

suitable for MULTI T-PIECE figure 128 0G, KHS temperature sensor Pt1000 figure 628 0G and temperature sensor for KHS HS2 Hygiene Flush Box figure 689 00, closed-cell foamed polyethylene, sound insulation, simple installation using the insulation clips or diffusion-resistant lockable using standard adhesives, to meet the requirements of EnEV 2014, building material class B1 according to DIN 4102 , CE marking, min. operating temperature -40 °C, max. operating temperature 90 °C

part no.	for DN	shipping weight (kg)		
4712801500	15	0.05		
4712802000	20	0.05		
4712802500	25	0.04		
4712803200	32	0.05		
4712804000	40	0.05		
4712805000	50	0.09		



insulation shell for KHS CoolFlow cold water balancing valve, figure 471 27

suitable for KHS CoolFlow cold water balancing valve Figs. 615 0G, 616 0G and 617 0G, closed-cell foamed polyethylene, sound insulation, simple installation using the insulation clips or diffusion-resistant lockable using standard adhesives, to meet the requirements of EnEV 2014, building material class B1 according to DIN 4102 , CE marking, min. operating temperature -40 °C, max. operating temperature 90 °C

part no.	DN	shipping weight (kg)		
4712701500	15	0.02		



insulation shell for ball valve, figure 471 24

suitable for Fig. 351 00, removable and re-usable insulation shell for ball valves with thread connections, made of expanded polypropylene, interlocking half-shells, to meet the requirements of EnEV 2014, building material class B2 according to DIN 4102, max. operating temperature 110 °C


part no.	DN	shipping weight (kg)		
4712401500	15	0.01		
4712402000	20	0.02		
4712402500	25	0.03		
4712403200	32	0.04		
4712404000	40	0.05		
4712405000	50	0.09		



insulation shell for stop valve water meter combinations CLASSIC, figure 471 16

closed-cell foamed polyethylene, sound insulation, simple installation using the insulation clips or diffusion-resistant lockable using standard adhesives, to meet the requirements of EnEV 2014, building material class B1 according to DIN 4102 , CE marking, min. operating temperature -40 °C, max. operating temperature 90 °C

part no.	shipping weight (kg)		
4711600000	0.08		



insulation shell for stop valve water meter combinations CLASSIC VAV, figure 471 17

closed-cell foamed polyethylene, sound insulation, simple installation using the insulation clips or diffusion-resistant lockable using standard adhesives, to meet the requirements of EnEV 2014, building material class B1 according to DIN 4102 , CE marking, min. operating temperature -40 °C, max. operating temperature 90 °C

part no.	shipping weight (kg)		
4711700000	0.10		



insulation shell for stop valve water meter box, figure 471 18

a one-piece moulding of expanded polystyrene, sound insulation, with perforated edges for measuring capsules, fastening in the stop valve water meter box by means of clamping based on the design, to meet the requirements of EnEV 2014, building material class B1 according to DIN 4102 , min. operating temperature -40 °C, max. operating temperature 90 °C

part no.	shipping weight (kg)		
4711800000	0.03		



drain valve made of gunmetal/plastic, figure J7109 173 00

can be attached to all Kemper valves with test/drain-port, rotatable hose connection element G 3/4 with cap and hanger, wetted metal parts made from dezincification-free and corrosion-resistant gunmetal, resistant against aggressive water, EPDM-seat gasket, rotating and plug-in cap, according to accepted materials list from German environmental agency, ÜA-Reg.-Nr. R-15.2.3-21-17048, WIEN-ZERT, max. operating temperature 110 °C

part no.	DN	for DN	for flanged valves DN	shipping weight (kg)
J71091730000600	8	15-50	15-25	0.08
J71091730001000	10	65-150	32-150	0.10



axial drain valve made of gunmetal, figure J7109 170 00

can be attached to all Kemper valves with test/drain-port, wetted metal parts made from dezincification-free and corrosion-resistant gunmetal, resistant against aggressive water, EPDM-seat gasket, according to accepted materials list from German environmental agency, ÜA-Reg.-Nr. R-15.2.3-21-17048, WIEN-ZERT, max. operating temperature 110 °C

part no.	DN	for DN	for flanged valves DN	shipping weight (kg)
J71091700000600	8	15-50	15-25	0.03



extension element for drain valve DN 8, figure J6109 473 00

can be attached to all Kemper valves with test/drain-port, made of gunmetal, length 35 mm, according to accepted materials list from German environmental agency, ÜA-Reg.-Nr. R-15.2.3-21-17048, WIEN-ZERT

part no.	for DN	for flanged valves DN	shipping weight (kg)
J61094730000600	15-50	15-25	0.06



drain valve, figure J7120 073 00

can be attached to all Kemper valves with test/drain-port, rotatable hose connection element G 3/4 with cap and hanger, wetted parts made of stainless steel, rotating and plug-in cap, EPDM-seat gasket, according to accepted materials list from German environmental agency, ÜA-Reg.-Nr. R-15.2.3-21-17049, WIEN-ZERT, max. operating temperature 110 °C

part no.	for DN	for flanged valves DN	shipping weight (kg)
J71200730000600	15-50	15-25	0.09



axial drain valve and immersion sleeve, figure J7109 150 00

suitable for valves with front drain port and for insertion of a temperature sensor, according to accepted materials list from German environmental agency, max. operating temperature 110 °C

part no.	DN	for DN	for flanged valves DN	shipping weight (kg)
J71091500000600	8	15-50	15-25	0.10



/// differential pressure measurement set, figure 360 99

suitable for functional testing of the following valves: RPZ type BA Fig. 360 0G/361 01, FK-4 RPZ outlet valve type BA Fig. 367 01, RPZ outlet valve type BA for apartments Fig. 368 02, FILL-MATIC 4 Cobi filling valve, type BA for heating systems Fig. 365 0G and controllable backflow preventer type EA, for a function test of FK-4 RPZ outlet valve Type BA, figure 367 01 DN 20 to DN 50, the following test valves are required: DN 20: Part No. 3670602000; DN 25: Part No. 3670602500; DN 50: Part No. 3670605000, for drinking water, pressurization to one side max. 2.5 MPa, according to accepted materials list from German environmental agency, measurement range 0 - 0,1 MPa, increment 0.02 MPa

part no.	shipping weight (kg)		
3609900100	5.22		



/// test valve with union adaptor for inspection of RPZ valves FK-4, figure 367 06

to test the function of FK-4 RPZ backflow preventer using the differential pressure measurement set (figure 360 99), according to accepted materials list from German environmental agency

part no.	for DN	shipping weight (kg)		
3670601500	10-15	0.16		
3670602000	20	0.19		
3670602500	25	0.26		
3670605000	50	0.40		



/// locking operating handle for FK-4, figure 367 05 001

to secure the tap, for subsequent installation on FK-4 RPZ backflow preventer outlet type BA, figure 367 01, year of construction 2014 and later, consisting of polished chrome-plated operating handle with lock and two bit keys

part no.	for DN	shipping weight (kg)		
3670500100	15-20	0.25		



/// test valve set for inspection of RPZ valves FK-4, figure 367 07

to test the function of FK-4 RPZ backflow preventer using the differential pressure measurement set (figure 360 99), for connection to primary and reduced pressure zone, for all dimensions, according to accepted materials list from German environmental agency

part no.	shipping weight (kg)		
3670700200	0.19		



/// water sensor, figure 620 00 001

to be connected to KEMPER leak-detection system, to detect water on ground (min. 0,5 mm), with 4 mm bolt hole for wall fastening

part no.	shipping weight (kg)		
6200000100	0.04		



Water Supply Set Plus, figure 369 01

Quarter turn stop valve with actuator and connection accessories, pre-assembled, wetted parts on the drinking water side made of gunmetal, stainless steel and drinking water approved plastics, for connecting a rainwater utilisation unit to the FK-5 safety isolation station, flexible connection to the pipeline with integrated connection set, suitable as a second drinking water connection, isolating valve with DVGW approval, plastic parts with KTW and W 270 approval, soundproofing certification according to DIN EN ISO 3822 Class 1, pressure rating PN 10, max. operating temperature 50 °C

part no.	DN	connection	shipping weight (kg)
3690102000	20	G 1	1.80
3690102500	25	G 1 1/4	2.23



FK-5 tank cleaning unit, figure 369 02

solenoid valve with connection accessories, for installation in the receiver tank of the FK-5 break tank station, allows the receiver tank of the FK-5 break tank station to be cleaned and flushed, max. operating temperature 50 °C

part no.	shipping weight (kg)
3690200100	0.61



FK-5 rack, figure 369 03

allows the FK-5 break tank station to be installed on the ground, sound-insulation, adjustable rubber feet, height 345-380 mm

part no.	shipping weight (kg)
3690300100	5.83



FK-5 overflow sensor, figure 369 04

for installation in the drain connection of the FK-5 break tank station, to protect against overflow due to drain block

part no.	shipping weight (kg)
3690400100	0.16



Connection-set for FK-5, figure 369 27

wetted metal parts made from dezincification-free and corrosion-resistant gunmetal, resistant against aggressive water, consisting of: expansion vessel 33 liters, double nipple R 1 x G 1, Y-strainer figure 602 00 Rp 1, easily replaceable double mesh made of stainless steel, for any installation position, for connection of the FK-5 break tank Figure 369

part no.	shipping weight (kg)
3692700100	7.00



manometer with backward connection G 1/4, figure T5100 700 00 001

suitable for pressure reducing valve, filter and safety groups according to figure 710, 712, 713, 714, 715 and 716, pressure scale 0 to 10 bar, connection G 1/4, according to accepted materials list from German environmental agency

part no.	shipping weight (kg)		
T51007000000100	0.08		



manometer with below connection G 1/4, figure T5100 700 00 002

suitable for pressure reducing valve, filter and safety groups according to figure 710, 712, 713, 714, 715 and 716, pressure scale 0 to 10 bar, connection G 1/4, according to accepted materials list from German environmental agency

part no.	shipping weight (kg)		
T51007000000200	0.06		



automatic backwash module for filter F and DMF, figure 712 99 004

for filter F figure 712 0G and DMF figure 713 0G, fully automated electronic backwash, with motorized isolation function, electric supply via Schuko plug, delayed automatic shut off by battery in case of power cut (accessorie), settings will be conserved in case of power cut, including system check and interval indicator, interval for back flush adjustable via display between 1 hour and 61 days, radio shielded, min. ambient temperature 0 °C

part no.	shipping weight (kg)		
7129900400	1.27		



/// Pt 1000 temperature sensor, figure T5100 140 00

temperature sensor for connection to BMS, temperature range 0 - 100 °C, four-wire technology, tolerance class A, for insertion in the isolating unit of the MULTI-THERM circulation balancing valve, the measuring nozzles of the MULTI-FIX-PLUS circulation balancing valve and the measuring nozzles of the MULTI T-PIECE, for all dimensions, can be used for all valves with frontal drain opening in combination with drain valve with immersion sleeve (part no. J71091500000600), pressure rating PN 16, min. operating temperature 0 °C, max. operating temperature 100 °C, protection class IP67

part no.	shipping weight (kg)		
T510014000003KP	0.10		



/// dial thermometer, figure T5100 150 00

for display of water temperature, display range 0-80 °C, tolerance class 2, for insertion in the isolating unit of the MULTI-THERM circulation balancing valve, the measuring nozzles of the MULTI-FIX-PLUS circulation balancing valve and the measuring nozzles of the MULTI T-PIECE, for all dimensions, can be used for all valves with frontal drain opening in combination with drain valve with immersion sleeve (part no. J71091500000600)


part no.	shipping weight (kg)		
T51001500000100	0.02		



/// axial drain valve and immersion sleeve, figure J7109 150 00

suitable for valves with front drain port and for insertion of a temperature sensor, according to accepted materials list from German environmental agency, max. operating temperature 110 °C

part no.	DN	for DN	for flanged valves DN	shipping weight (kg)		
J71091500000600	8	15-50	15-25	0.10		



Aerator set for KHS Hygiene Flush Box PRO, PURE and LITE, figure 689 04 019

wetted metal parts made from dezincification-free and corrosion-resistant gunmetal, resistant to aggressive water, stainless steel and drinking water-approved plastics, pressure independent limitation of flow, free from dead spots, plastic parts with KTW and W 270 certification, operating pressure PN 10, 5l/min, 10l/min, 15l/min, a flow limiter 10l/min is pre-assembled, all functional components can be maintained without tools, according to UBA (Federal Environmental Agency) valuation basis

part no.	shipping weight (kg)
----------	----------------------

6890401900	0.09
------------	------



cover for KHS HS2® hygienic flushing box, figure 689 07 001

for covering KHS HS2® hygienic flushing box when surface mounted, DC 01 fine sheet steel, powder-coated RAL 7035, Incl. fixing material

part no.	shipping weight (kg)
----------	----------------------

6890700100	8.40
------------	------




CONTROL-PLUS flow measurement valve for KHS HS2® hygienic flushing box, figure 689 4G 001

for optional flow measurement in the KHS HS2® hygiene-flushing box, wetted metal parts made from dezincification-free and corrosion-resistant gunmetal, resistant against aggressive water, for installation in KHS HS2® hygiene-flushing box, free from dead spots, plastic parts with KTW and W 270 approval, according to accepted materials list from German environmental agency, pressure rating PN 10, max. operating temperature 100 °C

part no.	shipping weight (kg)
----------	----------------------


6894G00100	0.31
------------	------



connection set surface-mounted CAN bus for KHS HS2® hygienic flushing box, figure 689 06 001

for connecting KHS HS2® hygienic flushing box to the KHS Mini Control System, for wall fastening, 5 m connection cable

part no.	shipping weight (kg)
----------	----------------------

6890600100	0.42
------------	------



connection set flush-mounted CAN bus for KHS HS2® hygienic flushing box, figure 689 06 002

for connecting KHS HS2® hygienic flushing box to the KHS Mini Control System, for flush-mounted installation, 5 m connection cable

part no.	shipping weight (kg)
----------	----------------------

6890600200	0.32
------------	------



BMS connecting cable via digital I/O for KHS HS2® hygienic flushing box, figure 689 05 001

for connecting KHS HS2® hygienic flushing box to the KHS LOGIC control system or to the building management system (BMS) via digital I/O, 5 m connection cable

part no.	shipping weight (kg)
6890500100	0.17



service set (4, 10, 15 l/min) for KHS HS2® hygienic flushing box, figure 689 99 001

pressure independent limitation of flow, plastic parts with KTW and W 270 certification, operating pressure PN 10, 4 l/min, 10 l/min, 15 l/min, according to accepted materials list from German environmental agency

part no.	shipping weight (kg)
6899900100	0.23



Vibration damper set for chiller, figure 619 02 000

vibration damper set for the KHS CoolFlow chiller for body and vibration isolation, consisting of 4 square mounting bases with die-cast-aluminium device fastening with rubber vibration element in between, incl. screws and washers, dimensions (H/W/D) mm 48/65/65

part no.	shipping weight (kg)
6190200000	0.97



Connection-set, figure 619 01 001

for connecting the KHS CoolFlow chiller, figure 618 01 and of the KHS Cool Flow cooler, figure 610 01, for shut off for maintenance and repair, selected components suitable for both KHS CoolFlow chiller 4.7kW (1.6–5.6) and 7.6kW (2.0–10.0), consisting of: two pipe compensators G 1, one pressure relief valve Rp 1/2 x Rp 3/4, 6 bar, one double nipple R 1/2, two reducing T-pieces Rp 1 x Rp 1/2, two stop valves Rp 1, two stop valves Rp 1 with plugged drain ports on both sides, five extensions for manometers and drain valves G 1/4, three manometers with vertical connection G 1/4, two drain valves G 1/4" x G 3/4", one dirt trap Rp 1, two double nipples R 1, one membrane expansion vessel 12 litres, R 1/2, one screw connection R 1/2 x Rp 1/2, one manual balancing valve Rp 1, wetted parts made of gunmetal and drinking-water-approved plastics, according to UBA (Federal Environmental Agency) valuation basis

part no.	shipping weight (kg)
6190100100	13.75



Data logger and gateway for KHS Cold Water Cooler, figure 611 00

data logger and gateway for the KHS CoolFlow cooler for connection to the building management system, saves all analysable parameters and serves as interface device for the BMS/BA via Modbus TCP/IP, plug-and-play thanks to prepared installation space and connection cable for power and data connection in the KHS CoolFlow cooler, data storage on micro SD card, supplied, readable and writeable data points provided via Ethernet using Modbus TCP/IP protocol, serves as upgrade device for the KHS CoolFlow cooler, lifetime storage capacity through large 4GB SD card, LAN RJ45 10/100 MBit/s Ethernet, micro SD card slot, LED status display, min. operating temperature 0 °C, max. operating temperature 40 °C, min. ambient temperature 0 °C, permissible ambient humidity < 85 % rF, protection class IP20, power supply 5 V DC

part no.	shipping weight (kg)
6110000000	0.27

Accessories: Hygiene System KHS



AC/DC converter, figure 686 01 001

for the operation of the KHS full flow stop valve with spring-reset servo drive 24 V DC with 24 V AC supply voltage figur 686 01 , for installation next to the actuated valve

part no.	shipping weight (kg)
----------	----------------------

6860100100	0.21
------------	------



KHS BACnet Gateway L for MASTER 2.0/2.1, figure 686 02 023

interface device for the KHS MASTER 2.0/2.1 mini control system for connection to the building management system, protocol translation into in BACnet IP/MSTP, for flushing systems with up to 24 slaves, LAN RJ45 10/100 MBit/s Ethernet, installation on DIN TS35 top-hat rail in accordance with EN60715, CE marking, BTL certified, min. ambient temperature 0 °C, max. ambient temperature 45 °C, permissible ambient humidity 20–80%rh, non-condensing, operating voltage 12 - 24 V AC/DC

part no.	shipping weight (kg)
----------	----------------------

6860202300	0.35
------------	------



KHS BACnet Gateway XL for MASTER 2.0/2.1, figure 686 02 024

interface device for the KHS MASTER 2.0/2.1 mini control system for connection to the building management system, protocol translation into in BACnet IP/MSTP, for flushing systems with up to 62 slaves, LAN RJ45 10/100 MBit/s Ethernet, installation on DIN TS35 top-hat rail in accordance with EN60715, CE marking, BTL certified, min. ambient temperature 0 °C, max. ambient temperature 45 °C, permissible ambient humidity 20–80%rh, non-condensing, operating voltage 12 - 24 V AC/DC

part no.	shipping weight (kg)
----------	----------------------

6860202400	0.37
------------	------

MODBUS TCP/IP LICENSE



Modbus TCP/IP licence for MASTER 2.0/2.1, figure 99 3590

licence code for activating the Modbus TCP/IP protocol on the KHS MASTER 2.0/2.1 mini control system, enables connection to the building management system via Modbus TCP/IP, license code can be obtained with MASTER 2.0/2.1 serial number by calling +49 (0) 2761 891-556 or e-mail to Lizenz@kemper-olpe.de

part no.

993590



handle for flush-mounted valves, figure 590 00

for UP-PLUS, UP-ETA-THERM, UP quarter turn stop valves and water meter combinations CLASSIC, chrome-plated collar, chrome-plated collar, with fixing set for mounting in plastic shaft of flush-mounted valves, including red and blue indicator plates to indicate hot or cold water,

note: for UP quarter turn stop valves, please select DN 25

part no.	for DN	shipping weight (kg)		
5900001500	15-20	0.19		
5900002500	25-32	0.20		



operating cover for flush-mounted valves, figure 591 00

for UP-PLUS, UP-ETA-THERM, UP quarter turn stop valves and water meter combinations CLASSIC, chrome-plated collar, chrome-plated collar, with fixing set for mounting in plastic shaft of flush-mounted valves, allen key 6 mm operated to protect against unauthorized handling, including red and blue indicator plates to indicate hot or cold water,

note: for UP quarter turn stop valves, please select DN 25

part no.	for DN	shipping weight (kg)		
5910001500	15-20	0.10		
5910002500	25-32	0.12		



chrome-plated plastic collar for flush-mounted valves, figure 860 00 015

for UP-PLUS, UP-ETA-THERM, UP quarter turn stop valves and water meter combinations CLASSIC, to be plugged in the shaft of flush-mounted valves, allen key 6 mm operated to protect against unauthorized handling, including red and blue indicator plates to indicate hot or cold water

part no.	for DN	shipping weight (kg)		
86000015CH	15-20	0.02		




fixing set UP-PLUS, figure 597 00

for UP-PLUS, UP-ETA-THERM, UP quarter turn stop valves and water meter combinations CLASSIC, to fix flush-mounted valves in pre-wall-installations, for installation on the plastic shaft of flush-mounted valves, consisting of check nuts, insulation washers, adhesive collar and pressure disc,

note: for UP quarter turn stop valves, please select DN 25

part no.	for DN	shipping weight (kg)		
5970001500	15-20	0.05		
5970002500	25-32	0.04		



UP-PLUS extension set, figure 599 00

90 mm, can be cut to length, for UP-PLUS, UP-ETA-THERM, UP quarter turn stop valves and water meter combinations CLASSIC, consisting of plastic shaft and spindle extension,

note: for UP quarter turn stop valves, please select DN 25, a maximum of two extensions is recommended

part no.	for DN	shipping weight (kg)		
5990001500	15-20	0.04		
5990002500	25-32	0.04		



RG120 grip top die-cast zinc set-up dimensions to 32 mm, figure 596 11

chrome-plated zinc diecasting, for stop valve water meter series RG120 Fig. 854 01/02/05/07 and Fig. 855 47 as well as for stop valve water meter mounting block ECO-DUO Fig. 853 07, chrome-plated sleeve, chrome-plated collar, easy assembly with 90° rotation, including red and blue indicator plates to indicate hot or cold water

part no.	for DN	shipping weight (kg)		
5961102000	20	0.31		



RG120 grip top die-cast zinc set-up dimensions 30 mm to 110 mm, figure 596 12

chrome-plated zinc diecasting, for stop valve water meter series RG120 Fig. 854 01/02/05/07 and Fig. 855 47 as well as for stop valve water meter mounting block ECO-DUO Fig. 853 07, plastic sleeve, chrome-plated collar, easy assembly with 90° rotation, including red and blue indicator plates to indicate hot or cold water

part no.	for DN	shipping weight (kg)		
5961202000	20	0.30		



RG120 grip top plastic set-up dimensions up to 32 mm, figure 596 16

chrome-plated collar, for stop valve water meter series RG120 Fig. 854 01/02/05/07 and Fig. 855 47 as well as for stop valve water meter mounting block ECO-DUO Fig. 853 07, chrome-plated sleeve, chrome-plated collar, easy assembly with 90° rotation, including red and blue indicator plates to indicate hot or cold water

part no.	for DN	shipping weight (kg)		
5961602000	20	0.22		



RG120 grip-top plastic, set-up dimensions 30 mm to 110 mm, figure 596 17

chrome-plated collar, for stop valve water meter series RG120 Fig. 854 01/02/05/07 and Fig. 855 47 as well as for stop valve water meter mounting block ECO-DUO Fig. 853 07, plastic sleeve, chrome-plated collar, easy assembly with 90° rotation, including red and blue indicator plates to indicate hot or cold water

part no.	for DN	shipping weight (kg)		
5961702000	20	0.18		



RG120 change stopper including extension for set-up dimensions to 110 mm, figure 596 15

chrome-plated cap, for stop valve water meter series RG120 Fig. 854 01/02/05/07 and Fig. 855 47 as well as for stop valve water meter mounting block ECO-DUO Fig. 853 07, plastic sleeve, chrome-plated collar, easy assembly with 90° rotation, with turnable top

part no.	for DN	shipping weight (kg)		
5961502000	20	0.14		



base plate for stop valve water meter combination CLASSIC for figur 855 27 and figur 885 27, figure 855 00 001

made of black plastic, to be connected at the lug of the water meter combination bodys type CLASSIC , sound decoupling with sidewise bolts

part no.

shipping weight (kg)

8550000100

0.12



cap for stop valve water meter combinations and mounting blocks, figure 855 00 002

consisting of black plastic blind cap and chrome-plated cover collar, adhesive for sticking onto tile to conceal the mounting opening with subsequent mounting of the water meter measuring capsule

part no.

shipping weight (kg)

8550000200

0.06



plastic cover panel, white, for stop valve water meter box, figure 870 00 004

suitable for radio readout of water meter, including two magnets and pole screws for adjustment, magnets with 200 N tensile force, size 280 x 280 mm

part no.

shipping weight (kg)

8700000400

0.34



stainless steel panel for stop valve water meter box, figure 870 00 006

including two magnets and pole screws for adjustment, magnets with 200 N tensile force, size 280 x 280 mm, not for radio readout of water meter

part no.

shipping weight (kg)

8700000600

0.83



galvanised sheet steel cover panel, white, for stop valve water meter, figure 870 00 008

including two magnets and pole screws for adjustment, magnets with 200 N tensile force, size 280 x 280 mm, not for radio readout of water meter

part no.

shipping weight (kg)

8700000800

0.88



/// bracket set for stop valve water meter box, figure 870 00 002

for easy installation of the water meter combination box, with slot holes for variable installation depth of appx. 25 mm, including screws, washers and nuts, consisting of 2 brackets (multiple sets can be used for one box if required)

part no.	shipping weight (kg)		
8700000200	0.21		




/// insulation shell for stop valve water meter box, figure 471 18

a one-piece moulding of expanded polystyrene, sound insulation, with perforated edges for measuring capsules, fastening in the stop valve water meter box by means of clamping based on the design, to meet the requirements of EnEV 2014, building material class B1 according to DIN 4102 , min. operating temperature -40 °C, max. operating temperature 90 °C

part no.	shipping weight (kg)		
4711800000	0.03		

Accessories: FROSTI® frost-proof outdoor taps



socket key operated for FROSTI®, figure 574 00 001

to secure the tap, for subsequent mounting on the outlet housing of frost-proof outdoor valve according to figures 574 and 577, consisting of matt chrome-plated cover sleeve and multiple toothed control key, incl. snap sleeve, for all dimensions

part no.	shipping weight (kg)		
5740000100	0.02		



operating handle for FROSTI®, lockable, figure 575 00 003

to secure the tap, for subsequent mounting at frost-proof outdoor taps figure 573 / 574 / 575 / 576 / 577, consisting of polished chrome-plated operating handle with lock and two bit keys, for all dimensions

part no.	shipping weight (kg)		
5750000300	0.12		



operating handle for FROSTI®, lockable and with master key system, figure 575 02 003

for subsequent mounting at frost-proof outdoor taps figure 573 / 574 / 575 / 576 / 577, to secure the tap, for all dimensions, consisting of polished chrome-plated operating handle with lock and two bit keys, old uniform keys fit to several handles

part no.	shipping weight (kg)		
5750200300	0.12		



extension for FROSTI®-PLUS, figure 574 00 002

for the outside extension of the frost-proof outdoor valve in the construction set version according to figure 574, consisting of screwable extension shaft and snap-on spindle extension, possibility of extending at least 30 mm up to a maximum of 120 mm, can be shortened in infinitely adjustable increments, for all dimensions, according to accepted materials list from German environmental agency,

note: maximum of two extensions of up to 240 mm of shaft extension recommended

part no.	shipping weight (kg)		
5740000200	0.36		



fixing set for FROSTI®-PLUS, figure 574 00 005

for installation in thin brickwork or outside walls with external insulation, consisting of: anti-twist protection with fastening nut, for outdoor installation and stabilisation of the mounting shaft, suitable for all nominal widths of frost-proof outdoor valves according to figure 574

part no.	shipping weight (kg)		
5740000500	0.09		



dismantling key for lockable operating handle, figure 575 01 003

for dismantling of the lockable operating handle in the triangular design Production from 2012

part no.	shipping weight (kg)		
5750100300	0.02		

STOP VALVES

SAFETY VALVES

PRVs / FILTER



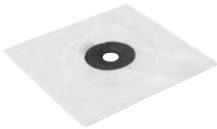
socket wrench, figure B5105 500 00 005

for UP-PLUS, UP-ETA-THERM, UP quarter turn stop valves and water meter combinations CLASSIC, for operating the UP-spindle with complete disassembly of the prefabricated assembly kits, suitable for frost-proof outdoor valves FROSTI® and FROSTI®-PLUS production from 1999, made of black plastic, with multiple internal teeth, for all dimensions

part no.	shipping weight (kg)		
B5105500000500	0.01		

REGULATING VALVES

MEASURING VALVES



sealing collar for FROSTI®, figure 574 00 006

adhesive and moisture repellent , applicable as moisture barrier , to seal lead-throughs in concrete, brick, stone, metal, plastic, wood , working temperature min. 4 °C , fits for all Frosti outlet valves figure 574 , hole for outlet pipe R 3/4 , can be plastered

part no.	dimensions (mm)	shipping weight (kg)		
5740000600	150 x 150	0.05		

SAMPLING VALVES

FLUSH MOUNTED VALVES

WATER METER



FROSTI collar XL, figure 577 12

for covering wall damage, made of brass, nickel plated, Incl. fixing material, with sealing collar, Suitable for Fig. 577

part no.	shipping weight (kg)		
5771201500	0.29		

OUTDOOR TAP

TRESOR

OTHER

KHS

ACCESSORIES

SPARE PARTS



WESER shut off bonnet

suitable for e.g. figure 173 and 190, wetted metal parts made from dezincification-free and corrosion-resistant gunmetal, resistant against aggressive water, maintenance-free spindle sealing with self-lubricating and under pressure replaceable EPDM-lip gasket, EPDM-seat gasket, according to accepted materials list from German environmental agency, for valves acc. DIN 3502,

note: DN 65 and DN 80 for valves from 1991


part no.	for DN		
E010917302015KP	15		
E010917302020KP	20		
E010917302025KP	25		
E010917302032KP	32		
E010117302040KP	40		
E010117302050KP	50		
E010117302065KP	65		
E010117302080KP	80		



WESER shut-off bonnet up to 1991

suitable for figure 173, wetted metal parts made from dezincification-free and corrosion-resistant gunmetal, resistant against aggressive water, maintenance-free spindle sealing with self-lubricating and under pressure replaceable EPDM-lip gasket, EPDM-seat gasket, according to accepted materials list from German environmental agency, for valves acc. DIN 3502

part no.	for DN		
E010118302065KP	65		
E010118302080KP	80		



WESER shut off bonnet with extra long shaft

suitable for Stop Valves with flange connection e.g. figure 135 (in DN 65 and DN 80 identical with E010117302065KP respectively E010117302080KP), incl. EPDM-bonnet gasket, wetted metal parts made from dezincification-free and corrosion-resistant gunmetal, resistant against aggressive water, maintenance-free spindle sealing with self-lubricating and under pressure replaceable EPDM-lip gasket, EPDM-seat gasket, according to accepted materials list from German environmental agency, for valves acc. DIN 3502

part no.	for DN		
E010913502015KP	15		
E010913502020KP	20		
E010913502025KP	25		
E010913502032KP	32		
E010113502040KP	40		
E010113502050KP	50		
E010113500100KP	100		
E010113500125KP	125		
E010113500150KP	150		



STANDARD shut off bonnet

incl. EPDM-bonnet gasket, suitable for e.g. figure 174 and figure 191, made of brass, EPDM-seat gasket, according to accepted materials list from German environmental agency, for valves acc. DIN 3502

part no.	for DN		
E010517400015KP	15		
E010517400020KP	20		
E010517400025KP	25		
E010517400032KP	32		
E010517400040KP	40		
E010517400050KP	50		



stainless steel shut off bonnet

e.g. suitable for figure 073, wetted parts made of stainless steel, maintenance-free spindle sealing with self-lubricating and under pressure replaceable EPDM-lip gasket, EPDM-seat gasket, according to accepted materials list from German environmental agency

part no.	for DN		
E012007302015KP	15		
E012007302020KP	20		
E012007302025KP	25		
E012007302032KP	32		
E012007302040KP	40		
E012007302050KP	50		



bonnet for ECO COMPACT stop valve

e.g. suitable for figure 170 and 171, wetted metal parts made from dezincification-free and corrosion-resistant gunmetal, resistant against aggressive water, spindle with O-ring, EPDM-seat gasket, according to accepted materials list from German environmental agency


part no.	for DN		
E01011700001500	15		
E01011700002000	20		
E01011700002500	25		
E01011700003200	32		



inner top part TOP ENTRY, for quarter turn stop valve and UP quarter turn stop valve for flush-mounted installation

consisting of spindle, rotatable gunmetal closing body and EPDM gasket body, according to accepted materials list from German environmental agency

part no.	for DN		
E010938600020KP	15-20		
E010938600025KP	25		
E010938600032KP	32		



handle for quarter turn stop valve

suitable for figure 385 00, 386 0G, 640 02, 650 02, 660 06, for all dimensions

part no.

3850000100



bonnet with check function for combined stop and check valve

incl. EPDM-bonnet gasket, wetted metal parts made from dezincification-free and corrosion-resistant gunmetal, resistant against aggressive water, check valve with SST spring, according to UBA valuation basis, for valves acc. DIN 3502/acc. to DIN EN 13959 provisions

part no.	for DN	suitable for figure		
E010116001015KP	15	160, 193 and 137		
E010116001020KP	20	160, 193 and 137		
E010116001025KP	25	160, 193 and 137		
E010116001032KP	32	160, 193 and 137		
E010116001040KP	40	160, 193 and 137		
E010116001050KP	50	160 and 193		
E010116000065KP	65	160 and 137		
E010116000080KP	80	160 and 137		
E010116000100KP	100	160 and 137		



bonnet for check valve

suitable for figure 162, 164, 169, 195, wetted metal parts made from dezincification-free and corrosion-resistant gunmetal, resistant against aggressive water, incl. EPDM-bonnet gasket, check valve with SST spring, according to accepted materials list from German environmental agency, for valves acc. DIN 3502/acc. to DIN EN 13959 provisions

part no.	for DN		
E010116200015KP	15		
E010116200020KP	20		
E010116200025KP	25		
E010116200032KP	32		
E010116200040KP	40		
E010116200050KP	50		
E010116200065KP	65		
E010116200080KP	80		



stainless steel head part for combined stop and check valves, shut off bonnet with check valve

suitable for figure 060 01 and 060 1G, wetted parts made of stainless steel, maintenance-free spindle gasket with self-lubricating EPDM lip gasket, according to accepted materials list from German environmental agency

part no.	for DN		
E012006000015KP	15		
E012006000020KP	20		
E012006000025KP	25		
E012006000032KP	32		
E012006000040KP	40		
E012006000050KP	50		



shut off bonnet for combined stop and check valve with cartridge

suitable for figure 145 2G, wetted metal parts made from dezincification-free and corrosion-resistant gunmetal, resistant against aggressive water, maintenance-free spindle sealing with self-lubricating and under pressure replaceable EPDM-lip gasket, EPDM-seat gasket, incl. EPDM-bonnet gasket, according to accepted materials list from German environmental agency


part no.	for DN		
E010914502015KP	15		
E010914502020KP	20		
E010914502025KP	25		
E010914502032KP	32		
E010114502040KP	40		
E010114502050KP	50		



CV cartridge

for combined stop and check valve figure 145 2G, pass anti-pollution check valve 158 1G und safety group 714 0G, 715 0G, 716 0G, according to accepted materials list from German environmental agency

part no.	for DN		
P41001580001500	15		
P41001580002000	20		
P41001580102500	25		
P41001580103200	32		
P41001580104000	40		
P41001580105000	50		



replacement cartridge for RPZ backflow preventer PROTECT and FK-4 RPZ backflow preventer outlet type BA

for DN	for figure 360 0G till 2009			for figure 360 0G from 2010 till 2014 and for figure 367 01/02			for Fig. 366 0G and Fig. 360 0G with ID number BD-BZ		
	part no.			part no.			part no.		
15	3600000100			3600000100			3600000100		
20	3600000100			3600000100			3600000100		
25	3600000100			3600000100			3660000200		
32	3600000300			3660000200			3660000200		
40	3600000300			3600000300			3600000300		
50	3600000300			3600000300			3600000300		



outlet check valve for RPZ backflow preventer PROTECT and FK-4 RPZ backflow preventer outlet Type BA

for DN	for figure 360 0G till 2009			for figure 360 0G from 2010 till 2014 and for figure 367 01/02			for Fig. 366 0G and Fig. 360 0G with ID number BD-BZ		
	part no.			part no.			part no.		
15	3600200100			3670200100			3670200100		
20	3600200100			3670200100			3670200100		
25	3600200100			3670200100			3660200200		
32	3600200300			3660200300			3660200300		
40	3600200300			3660200400			3660200400		
50	3600200300			3660200400			3660200400		



slotted ring removal and installation tool for FK-4

to exchange the grooved ring packing of FK-4 RPZ backflow preventer outlet type BA DN 15, DN 20 and DN 25

part no.

3670900100



service set for RPZ backflow preventer outlet for apartments Type BA

replacement cartridge incl. secondary CV RPZ backflow preventer outlet for apartments

part no.

3680000100



top part for FK-4 RPZ outlet valve type BA DN 15-20

with actuating grip, wetted metal parts made from dezincification-free and corrosion-resistant gunmetal, resistant against aggressive water, gunmetal cone, EPDM-seat gasket, according to accepted materials list from German environmental agency

part no.

E010936701020KP

for DN

15-20



bonnet for FK-4 RPZ backflow preventer outlet type BA, DN 25

with actuating grip, wetted metal parts made from dezincification-free and corrosion-resistant gunmetal, resistant against aggressive water, gunmetal cone, EPDM-seat gasket, according to accepted materials list from German environmental agency

part no.	for DN
E010936701025KP	25



bonnet for FK-4 RPZ backflow preventer outlet type BA, DN 50

with actuating grip, wetted metal parts made from dezincification-free and corrosion-resistant gunmetal, resistant against aggressive water, gunmetal cone, EPDM-seat gasket, according to accepted materials list from German environmental agency

part no.	for DN
E010136701050KP	50



union-adaptor for RPZ backflow preventer outlet for apartments Type BA

inlet R 1/2, outlet union nut G 1/2 with O-ring, according to accepted materials list from German environmental agency

part no.
3680300100

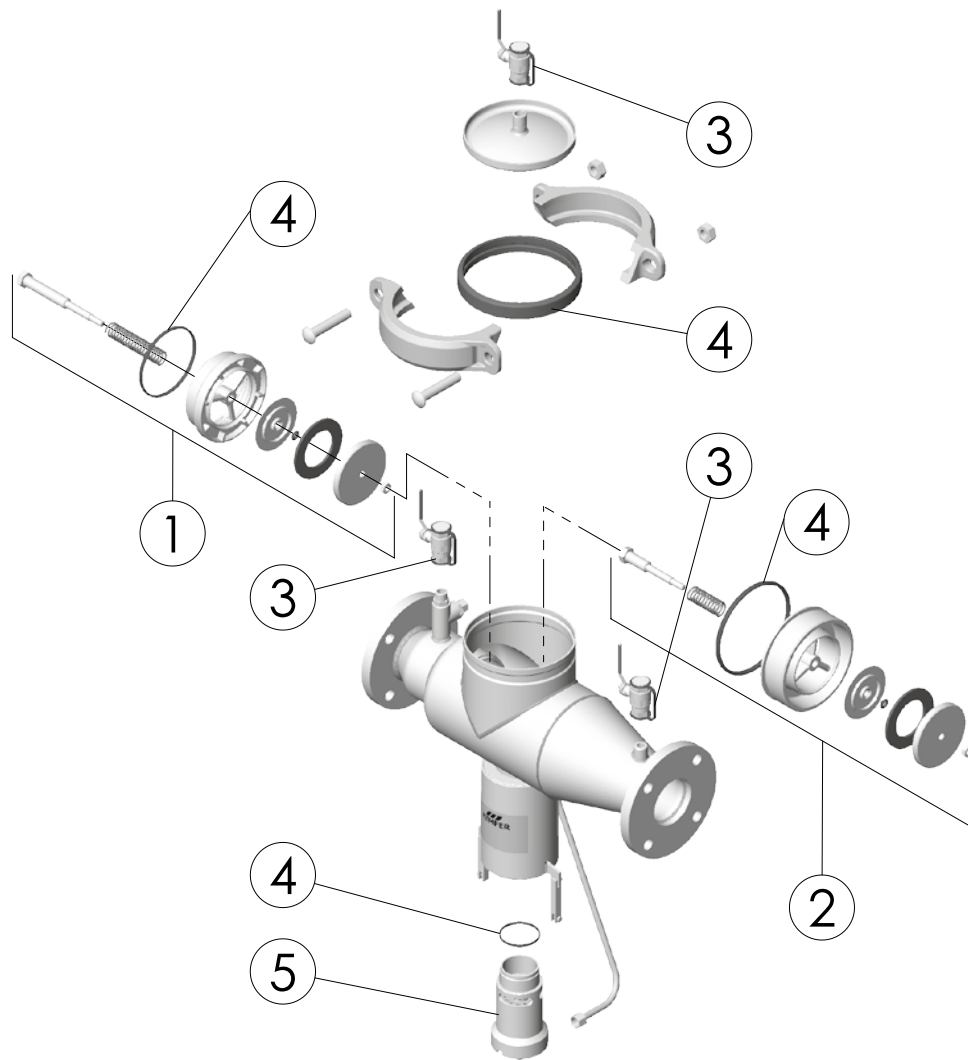


Drain funnel for backflow preventer CA

suitable for figure 362 2G

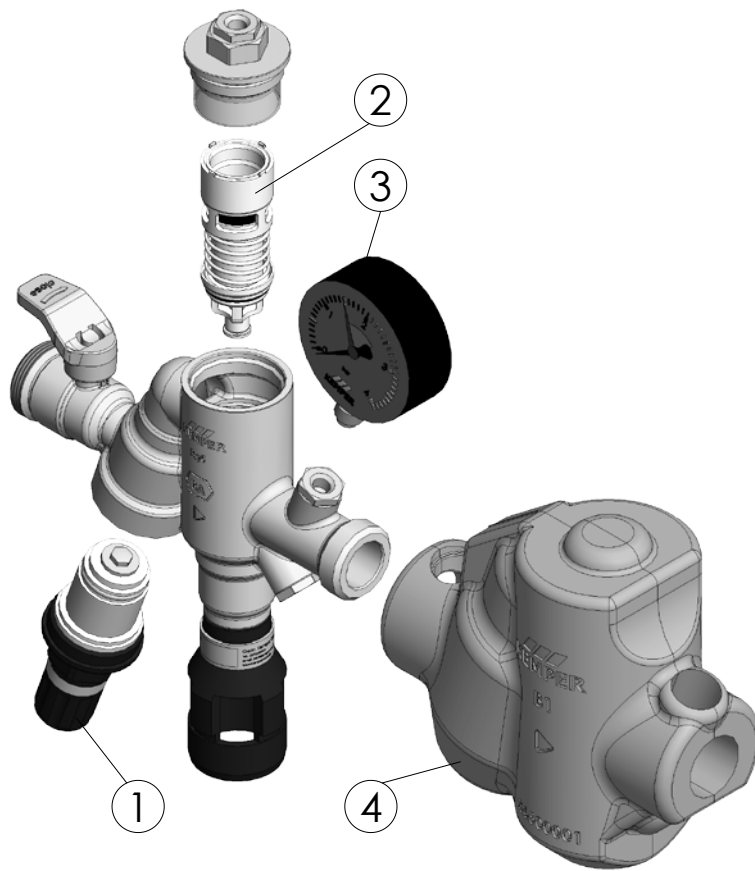
part no.
D71003620200100

Exploded view, PROTECT RPZ backflow preventer type BA, fig. 361 01



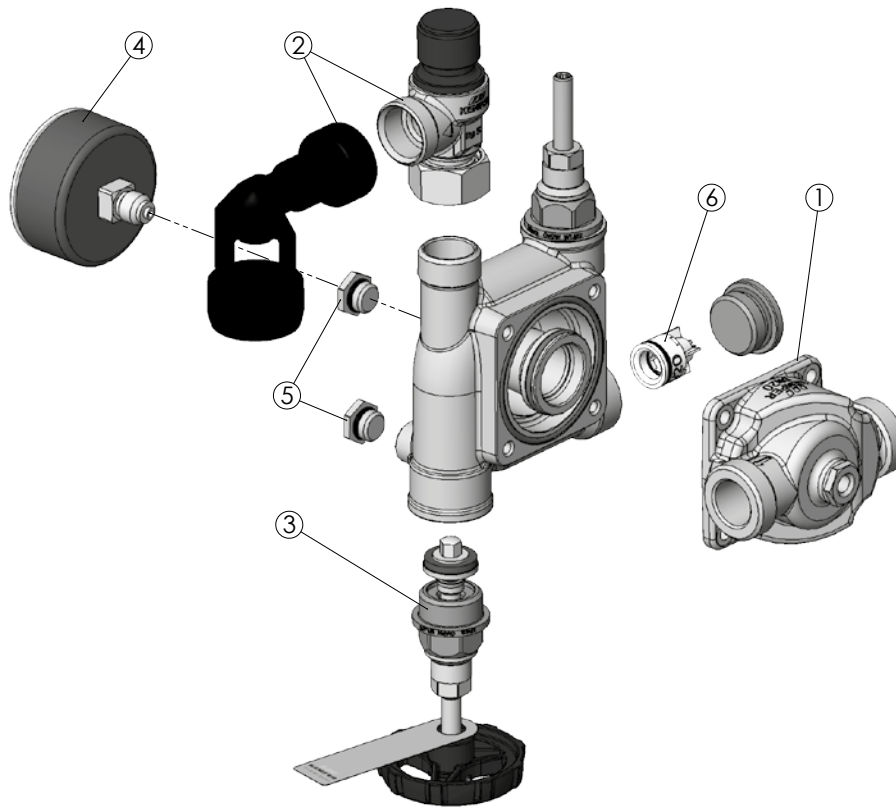
no.	description	part no.		
1.1	check valve inlet side, for DN 65-100	3619800200		
1.2	check valve inlet side, for DN 150	3619800600		
2.1	check valve outlet side, for DN 65-100	3619800300		
2.2	check valve outlet side, for DN 150	3619800700		
3	ball valve, for DN 65-150	3619900400		
4.1	seal kit, for DN 65-100	3619900500		
4.2	seal kit, for DN 150	3619900800		
5	drain valve, for DN 65-150	3619800100		
w/o illustr.	CV replacement tool RPZ backflow preventer BA, for DN 65-100	3619900900		
w/o illustr.	CV replacement tool for RPZ backflow preventer BA, for DN 150	3619901000		

Exploded view, FILL-MATIC 4 heater filling combination, type BA ,fig. 365 0G



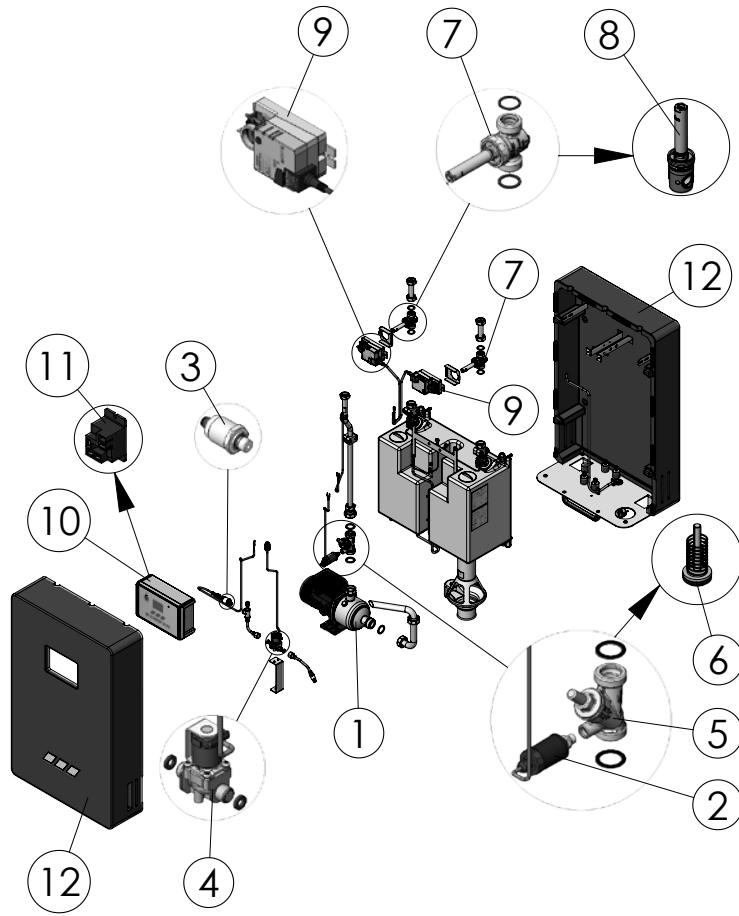
no.	description	part no.		
1	pressure reducing cartridge	P61003640002000		
2	replacement cartridge for RPZ backflow preventer BA PROTECT and FK-4 RPZ backflow preventer outlet	3600000100		
3	pressure gauge	T51003640000100		
4	insulating shell	N01003650000100		

Exploded view, safety group, fig. 714/715/716 0G



no.	description	part no.		
1	basic module, for DN 20	7000G02000		
2.1	Pressure relief valve 0.6 MPa incl. telescopic tundish, DN 20	E01097140102000		
2.2	pressure relief valve 0.8 MPa incl. telescope drain tundish, DN 20	E01097150102000		
2.3	pressure relief valve 1.0 MPa incl. telescope drain tundish, DN 20	E01097160102000		
3	WESER shut off bonnet, for DN 20	E010917302020KP		
4	manometer with backward connection G 1/4	T51007000000100		
5	threaded plug , for DN 15-50	J81011730000600		
6	CV cartridge, for DN 20	P41001580002000		

Exploded view, FK-5 break tank station, fig. 369



no.	description	part no.		
1.1	3HM04P pump for FK-5 DN 20, for DN 20	3691102000		
1.2	5HM05P pump for FK-5 DN 25, for DN 25	3691102500		
2	pressure transmitter type 501 for FK-5 DN 20 and DN 25	3691200100		
3	pressure transmitter type 525 for FK-5 DN 20 and DN 25	3691200200		
4	solenoid valve for FK-5 DN 20 and DN 25	3691300100		
5	anti-pollution check valve DN 25 for FK-5 DN 20 and DN 25	3691400100		
6	cone-type holder for check valve FK-5	3692000100		
7.1	quarter turn stop valve for FK-5 DN 20, for DN 20	3691502000		
7.2	quarter turn stop valve for FK-5 DN 25, for DN 25	3691502500		
8.1	quarter turn stop valve bonnet for FK-5 DN 20, for DN 20	3692102000		
8.2	quarter turn stop valve bonnet for FK-5 DN 25, for DN 25	3692102500		
9	TMC24A actuator for FK-5 DN 20 and DN 25	3691600100		
10.1	controller for FK-5 DN 20, for DN 20	3691700100		
10.2	controller for FK-5 DN 25, for DN 25	3691700200		
11	pump relay for controller FK-5	3691900100		
12	cover for FK-5 DN 20 and DN 25	3691800100		



filter cartridge

replacement for filter type F and PRV-filter combination, according to accepted materials list from German environmental agency

part no.	for DN		
7130000500	15-25		
7130000400	32-50		



strainer for pressure reducing valve and pressure reducing valve-filter combination

suitable for pressure reducer Fig. 710 0G and pressure reducer/filter combination Fig. 713 0G, according to accepted materials list from German environmental agency

part no.	for DN		
7100100100	15-25		
7100100200	32-50		



manometer with backward connection G 1/4

suitable for pressure reducing valve, filter and safety groups according to figure 710, 712, 713, 714, 715 and 716, pressure scale 0 to 10 bar, connection G 1/4, according to accepted materials list from German environmental agency

part no.			
T51007000000100			



manometer with below connection G 1/4

suitable for pressure reducing valve, filter and safety groups according to figure 710, 712, 713, 714, 715 and 716, pressure scale 0 to 10 bar, connection G 1/4, according to accepted materials list from German environmental agency

part no.			
T51007000000200			



PRV cartridge

replacement for PRV and PRV-filter combination and to convert filter type F to PRV-filter combination, according to accepted materials list from German environmental agency

part no.	for DN		
7100000100	15-25		
7100000200	32-50		



basic module

suitable for pressure reducing valve, filter and safety groups according to figure 710, 712, 713, 714, 715 and 716, according to accepted materials list from German environmental agency

part no.	for DN		
7000G01500	15		
7000G02000	20		
7000G02500	25		
7000G03200	32		
7000G05000	50		

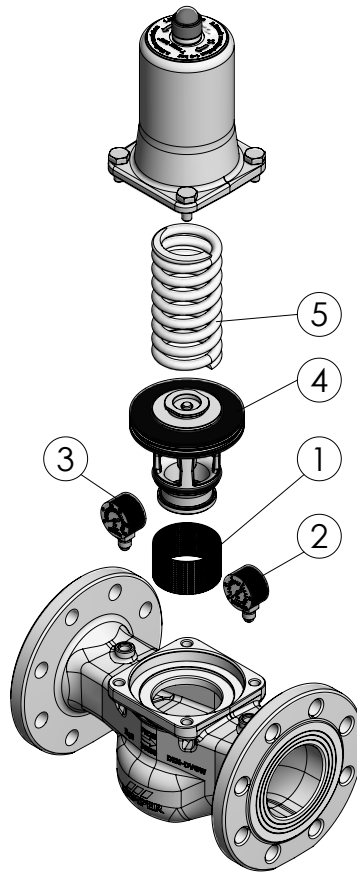


O-ring for basic module

suitable for pressure reducing valve, filter and safety groups according to figure 710, 712, 713, 714, 715 and 716, according to accepted materials list from German environmental agency

part no.	for DN		
7100200100	15-25		
7100200200	32-50		

Exploded view, pressure reducing valve, flanged, fig. 711 00



no.	description	part no.		
1	screen DN 65/80	E31207110008000		
2	downstream pressure gauge 1-10 bar	T51007000000400		
3	upstream pressure gauge 1-25 bar	T51007000000300		
4	valve insert DN 65/80	Z01017110000100		
5	spring DN 65/80	C81207110008000		



/// MULTI-THERM control bonnet 50-65 °C for circulation control valves

suitable for figure 141, 143, with expansion element, balancing cone and protection cap, incl. bonnet gasket, wetted metal parts made from dezincification-free and corrosion-resistant gunmetal, resistant against aggressive water, DVGW approval, according to accepted materials list from German environmental agency, control range 50 °C - 65 °C

part no.	for DN		
E010914100015KP	15		
E010914100020KP	20		
E010914100025KP	25		



/// THERM control bonnet 30-50 °C for circulation control valves

suitable for figure 140 0G, 142 00, with expansion element, balancing cone, incl. bonnet gasket, wetted metal parts made from dezincification-free and corrosion-resistant gunmetal, resistant against aggressive water, according to accepted materials list from German environmental agency, control range 30 °C - 50 °C

part no.	for DN		
E010914000015KP	15		
E010914000020KP	20		
E010914000025KP	25		



/// stainless steel MULTI-THERM control bonnet 50-65 °C for circulation control valve

suitable for figure 041 0G, with expansion element, balancing cone and protection cap, incl. bonnet gasket, according to accepted materials list from German environmental agency

part no.	for DN		
E012004101015KP	15		



/// head part of stop valve for MULTI-THERM

suitable for figure 140, 141, 142, 143, isolating unit with temperature sensor pocket, wetted metal parts made from dezincification-free and corrosion-resistant gunmetal, resistant against aggressive water, according to accepted materials list from German environmental agency

part no.	for DN		
E01091400000300	15-20		



/// cap for stop valve unit MULTI-THERM

suitable for figure 140, 141, 142, 143

part no.	for DN		
Z01001400000100	15-25		



ETA-THERM control bonnet for circulation control valves

suitable for figure 130 0G, 131 00, 540 02, 542 2, 544 02, wetted metal parts made from dezincification-free and corrosion-resistant gunmetal, resistant against aggressive water, with expansion material control cone incl. stop, Colour of ring: natural colour/ transparent, according to accepted materials list from German environmental agency, control range 56 °C - 58 °C

part no.	for DN		
E010954000015KP	15		



ETA-THERM control bonnet for circulation control valves

suitable for figure 134 0G, 136 00, 540 62, wetted metal parts made from dezincification-free and corrosion-resistant gunmetal, resistant against aggressive water, with expansion material control cone incl. stop, Colour of ring: red, according to accepted materials list from German environmental agency, control range 62 °C - 64 °C

part no.	for DN		
E01095400101500	15		



ETA-THERM control bonnet for circulation control valves

suitable for figure 132 0G, 540 42, wetted metal parts made from dezincification-free and corrosion-resistant gunmetal, resistant against aggressive water, with expansion material control cone incl. stop, Colour of ring: blue, according to accepted materials list from German environmental agency, control range 44 °C - 46 °C

part no.	for DN		
E01095400201500	15		



operating cover for flush-mounted UP-ETA-THERM

suitable for figure 540, 542, 544, 545, 546, chrome-plated cap with allen socket for 6 mm allen key under purple identification plate

part no.	for DN		
5910101500	15		



MULTI-FIX-PLUS balancing bonnet

for MULTI-FIX-PLUS static balancing valves from 01/2014 (figure 150 2G/4G/5G/6G and figure 151 02/04/05/06), wetted metal parts made from dezincification-free and corrosion-resistant gunmetal, resistant against aggressive water, incl. EPDM-bonnet gasket, according to accepted materials list from German environmental agency

part no.	for DN		
E010915002015KP	15		
E010915002020KP	20		
E010915002025KP	25		
E010915002032KP	32		
E010915002040KP	40		
E010915002050KP	50		



bonnet made of stainless steel for throttle valves

suitable for figure 078 0G, 078 1G and 178, EPDM coated and compact throttle cone, indication of pre-setting on bracket, according to accepted materials list from German environmental agency

part no.	for DN		
E012007800015KP	15		
E012007800020KP	20		
E012007800025KP	25		
E012007800032KP	32		



sensor replacement set CONTROL PLUS

suitable for CONTROL PLUS flow and temperature measurement valve figure 138 4G, according to accepted materials list from German environmental agency

part no.	for DN		
1384G11000	10		
1384G11500	15		
1384G12000	20		
1384G12500	25		
1384G13200	32		
1384G14000	40		
1384G15000	50		



sensor replacement set CONTROL PLUS BMS version

suitable for CONTROL PLUS flow and temperature measurement valve figure 138 6G, according to accepted materials list from German environmental agency

part no.	for DN		
1386G11000	10		
1386G11500	15		
1386G12000	20		
1386G12500	25		
1386G13200	32		
1386G14000	40		
1386G15000	50		



Drain elbow for sampling valve

suitable for figure 187 00 und 087 00, sampling pipe can be disinfected by flame, compression ring, compression nut, according to accepted materials list from German environmental agency

part no.			
----------	--	--	--

1879900200			
------------	--	--	--



key for sampling valve

suitable for sampling valve with triangular socket figure 187 00

part no.			
----------	--	--	--

B51001870300100			
-----------------	--	--	--



CV cartridge for angled sampling valve

suitable for sampling valve for angle valve at wash basin figure 188 00/01, according to accepted materials list from German environmental agency

part no.			
----------	--	--	--

1889900100			
------------	--	--	--



drain elbow for angled sampling valve

suitable for sampling valve for angle valve at wash basin figure 188 00/01, according to accepted materials list from German environmental agency

part no.			
----------	--	--	--

1889900200			
------------	--	--	--

Flush-mounted valves, old design, with brass shaft and square spindle (production up to 1997)



set for final installation with operating handle

suitable for UP valves Production until 1997, suitable for frost-proof external valves Production until 1998, with chrome-plated collar, including red and blue identification screw, including clamping unit and clamping rings suitable for each size

part no.	for DN		
5880002500	15-32		



set for final installation as change stopper

suitable for UP valves Production until 1997, suitable for frost-proof external valves Production until 1998, with chrome-plated collar, including red and blue identification screw, including clamping unit and clamping rings suitable for each size

part no.	for DN		
5890002500	15-25		



socket wrench for flush-mounted valves, for final installation set operating grip

with internal toothing for operation with removed operating grip, suitable for all sizes, suitable for UP valves Production until 1997

part no.	for DN		
B5105500000100	15-25		



socket wrench for flush-mounted valves, for final installation set operating grip

with 7 mm female square drive, for operation of the square spindle after removal of the final installation set, suitable for all sizes, suitable for UP valves Production until 1997

part no.	for DN		
B5105500000200	15-25		



extension for valves, for final assembly set operating grip, to 35 mm

suitable for flush-mounted valves manufactured until 1997 and frost-proof outdoor valves manufactured until 1998, incl. brass clamping ring, suitable for all sizes (the plastic clamping ring required to adjust the shaft diameter out of the final assembly set to be used)

part no.			
5980003500			

Flush-mounted valves, old design, with brass shaft and square spindle (production up to 1997)

STOP VALVES

SAFETY VALVES

PRVs / FILTER

REGULATING VALVES

MEASURING VALVES

SAMPLING VALVES

FLUSH MOUNTED VALVES

WATER METER

OUTDOOR TAP

TRESOR

OTHER

KHS

ACCESSORIES

SPARE PARTS



extensions for valves, for final assembly set operating grip, to 65 mm

suitable for flush-mounted valves manufactured until 1997 and frost-proof outdoor valves manufactured until 1998, incl. brass clamping ring, suitable for all sizes (the plastic clamping ring required to adjust the shaft diameter out of the final assembly set to be used)

part no.

5980006500



Extension for valves, for operating handle assembly set, up to 130 mm

suitable for flush-mounted valves manufactured until 1997 and frost-proof outdoor valves manufactured until 1998, incl. brass clamping ring, suitable for all sizes (the plastic clamping ring required to adjust the shaft diameter out of the final assembly set to be used)

part no.

5980013000



Extension for valves, for assembly set with operating cover, up to 65 mm

incl. brass clamping ring, suitable for all sizes (the plastic clamping ring required to adjust the shaft diameter out of the final assembly set to be used), suitable for UP valves Production until 1997

part no.

5980206500



inner top part for flush-mounted valves (from 1985 to 1997) with shaft length to 80 mm

complete with valve cone and cone seal, suitable for UP valves Production until 1997, according to accepted materials list from German environmental agency

part no.	for DN	shaft's outer diameter (mm)	shaft's inner diameter (mm)	thread
E010958000015KP	15	34	27	M 21 x 1,25
E010958000020KP	20	40	33	M 26 x 1,5
E010958000025KP	25	47	40	M 33 x 1,5



inner top part for flush-mounted valves (from 1985 to 1997) with shaft length to 180 mm

complete with valve cone and cone seal, suitable for UP valves Production until 1997, 110 mm, shortenable to any length, according to accepted materials list from German environmental agency

part no.	for DN	shaft's outer diameter (mm)	shaft's inner diameter (mm)	thread
E010958200015KP	15	34	27	M 21 x 1,25
E010958200020KP	20	40	33	M 26 x 1,5
E010958200025KP	25	47	40	M 33 x 1,5

Flush-mounted valves, old design, with brass shaft and square spindle (production up to 1997)



tubular box spanner, size 17/18, 550 mm

for dismantling and replacing inner top parts of frost-proof outdoor valves, Figures 570–572, and inner top parts of the UP and UP-PLUS series, external hex SW17, UP-PLUS series gunmetal, external hex SW18, stainless steel UP-PLUS and UP series, frost-proof outdoor valves Figures 570–572

part no.

B51205000000400



hexagon socket key, size 19

for dismantling and replacing inner top parts of the ETA-THERM floor balancing valves, internal hex SW19

part no.

B51205990001500

STOP
VALVES

SAFETY
VALVES

PRYS / FILTER

REGULATING
VALVES

MEASURING
VALVES

SAMPLING
VALVES

FLUSH MOUN-
TED VALVES

WATER
METER

OUTDOOR
TAP

TRESOR

OTHER

KHS

ACCES-
SORIES

SPARE
PARTS



UP-PLUS inner top part

to isolate, regulate and pre-set, with stainless steel cone, EPDM-seat gasket, incl. plastic operating spindle that can be cut to length, wetted metal parts made from dezincification-free and corrosion-resistant gunmetal, resistant against aggressive water, according to accepted materials list from German environmental agency

part no.	for DN	shaft's inner diameter (mm)	thread		
E010956001015KP	15-20	26	M 21 x 1,25		
E010956001025KP	25-32	35	M 33 x 1,5		



combined stop-and check valve inner top part for gunmetal flush-mounted valves UP-PLUS

EPDM-seat gasket, incl. plastic operating spindle that can be cut to length, wetted metal parts made from dezincification-free and corrosion-resistant gunmetal, resistant against aggressive water, check valve with SST spring, according to accepted materials list from German environmental agency

part no.	for DN	shaft's inner diameter (mm)	thread		
E01095610001500	15-20	26	M 21 x 1,25		



stainless steel UP-PLUS inner top part

to isolate, regulate and pre-set, EPDM-seat gasket, incl. plastic operating spindle that can be cut to length, wetted parts made of stainless steel, according to accepted materials list from German environmental agency

part no.	for DN	shaft's inner diameter (mm)	thread		
E01200560001500	15-20	26	G 1/2		
E01200560002500	25	35	G 1		



control spindle for flush-mounted valves UP-PLUS

90 mm, can be cut to length, made of plastic, external toothing and internal toothing for connection to the valve bonnet

part no.	for DN		
P01005600001500	15-20		
P01005600002500	25-32		



UP-PLUS extension spindle

90 mm, can be cut to length, made of plastic, external multi toothing and one-way slide-on socket for connection to control spindle of the inner top part

part no.	for DN		
P01005620000100	15-32		



plastic shaft for UP-PLUS flush-mounted valves and UP-PLUS extension set

glass fibre-reinforced, continuous external thread, one-way socket for screwing onto flush-mounted valve housing and flush-mounted shafts, 90 mm, shortenable to any length

part no.	for DN	shaft's inner diameter (mm)		
L01005600001500	15-20	26		
L01005600002500	25-32	35		



handle for flush-mounted valves

for UP-PLUS, UP-ETA-THERM, UP quarter turn stop valves and water meter combinations CLASSIC, chrome-plated collar, chrome-plated collar, with fixing set for mounting in plastic shaft of flush-mounted valves, including red and blue indicator plates to indicate hot or cold water,

note: for UP quarter turn stop valves, please select DN 25

part no.	for DN	shipping weight (kg)		
5900001500	15-20	0.19		
5900002500	25-32	0.20		




operating cover for flush-mounted valves

for UP-PLUS, UP-ETA-THERM, UP quarter turn stop valves and water meter combinations CLASSIC, chrome-plated collar, chrome-plated collar, with fixing set for mounting in plastic shaft of flush-mounted valves, allen key 6 mm operated to protect against unauthorized handling, including red and blue indicator plates to indicate hot or cold water,

note: for UP quarter turn stop valves, please select DN 25

part no.	for DN	shipping weight (kg)		
5910001500	15-20	0.10		
5910002500	25-32	0.12		



RG120 inner top part

suitable for RG120 stop valve water meter combinations figure 855 47 and RG120-DUO stop valve water meter mounting blocks according to figure 854, suitable for DUO stop valve water meter box Figure 870 07, according to accepted materials list from German environmental agency


part no.	for DN		
E01098540002000	20		



ECO-DUO upper part

suitable for figure 853 07, according to accepted materials list from German environmental agency

part no.	for DN		
E01051530002000	20		



operating cap

suitable for figure 560 31, 860 05, 870 07 and TRESOR wall cabinets with water supply valve

part no.			
5900300100			

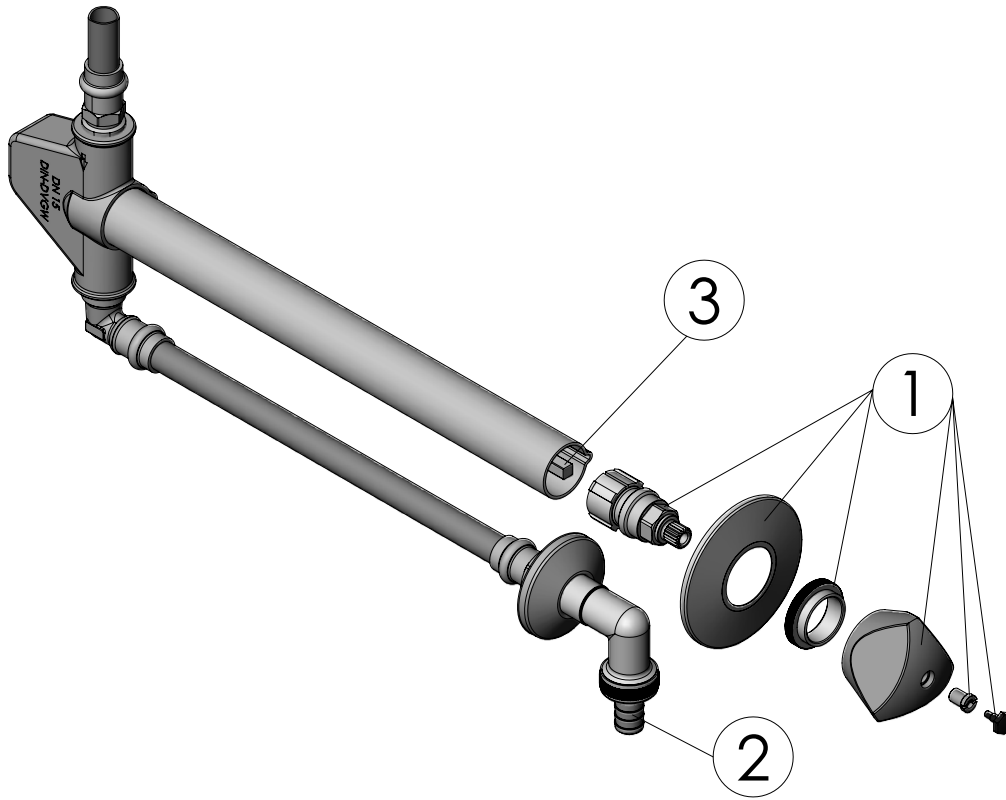


CLASSIC inner top part

suitable for CLASSIC stop valve water meter combinations figure 855 27 and figure 867 27, according to accepted materials list from German environmental agency

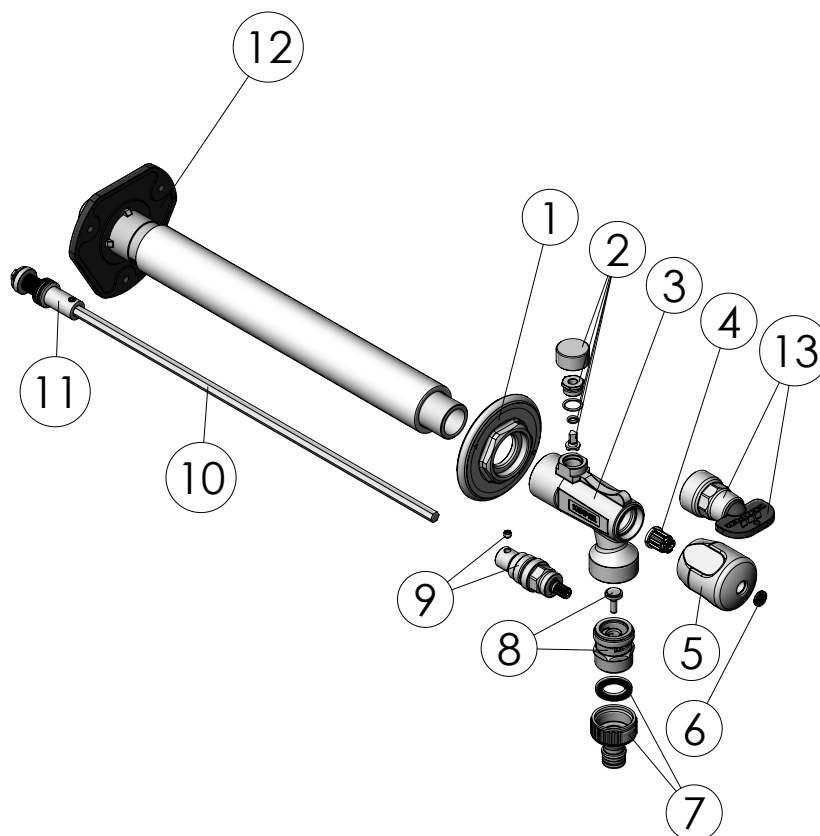
part no.	for DN		
E01098500101500	20		

Exploded view, frost-proof outdoor valve, fig. 570/571/572 (production up to 1998)



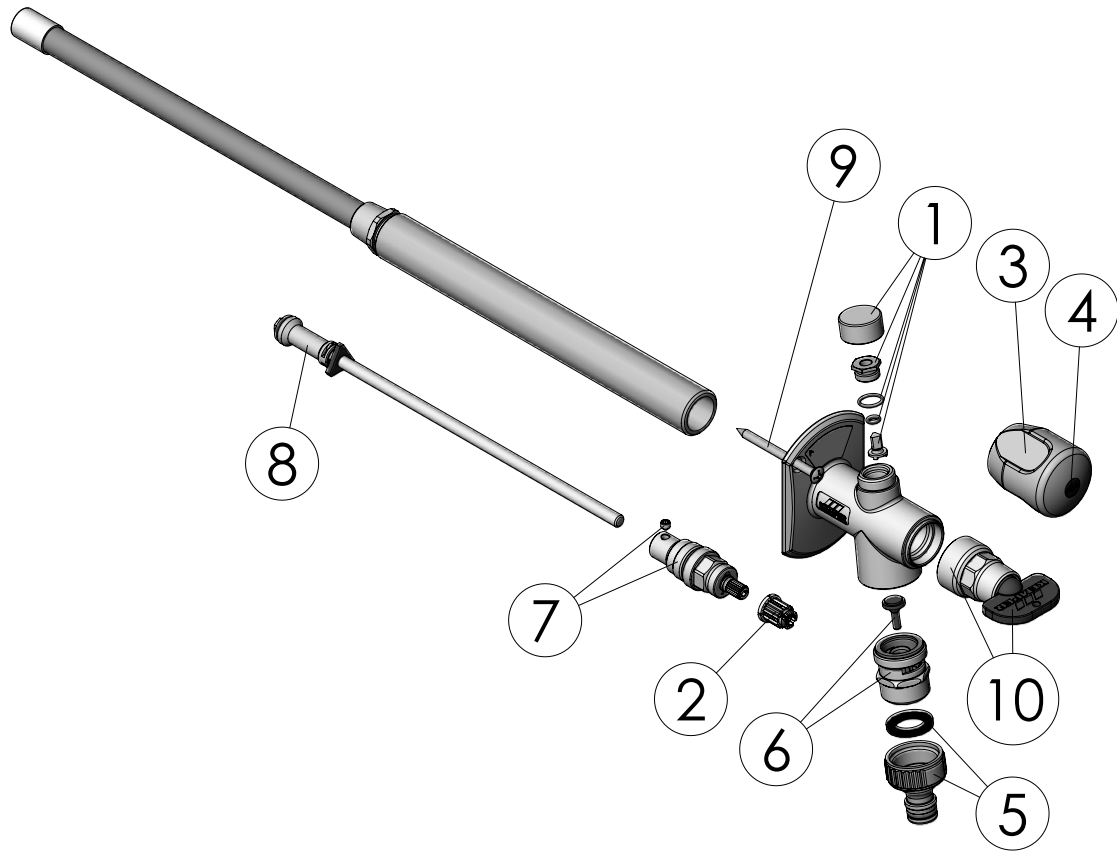
no.	description	DN 15			DN 20		
		part no.			part no.		
1	set for final installation with operating handle, for DN 15-32	5880002500			5880002500		
2	elbow with collar and hose coupling	J61055700001500			note: inner top part DN 20 only from sale of stock!		
3.1	inner top part with control spindle, 300 mm, shortenable by 110 mm max.	E010957000015KP			note: inner top part DN 20 only from sale of stock!		
3.2	inner top part with control spindle, 400 mm, shortenable by 110 mm max.	E010957100015KP			note: inner top part DN 20 only from sale of stock!		
3.3	inner top part with control spindle, 500 mm, shortenable by 110 mm max.	E010957200015KP			note: inner top part DN 20 only from sale of stock!		
w/o illustr.	inner top part with control spindle, 500 mm, shortenable by 110 mm max.	E010957200020KP			E010957200020KP		
w/o illustr.	set for final installation as change stopper, for DN 15-25	5890002500			A61095700001500		
w/o illustr.	cone for frost-proof outdoor valve, for DN 20	A61095700002000			A61095700002000		
w/o illustr.	extensions for valves, for final assembly set operating grip, to 65 mm	5980006500			5980006500		
w/o illustr.	Extension for valves, for operating handle assembly set, up to 130 mm	5980013000			5980013000		
w/o illustr.	Extension for valves, for assembly set with operating cover, up to 65 mm	5980206500			5980206500		

Exploded view of FROSTI® frost-proof outdoor valve fig. 573 / 575 (production up to 06/2006)



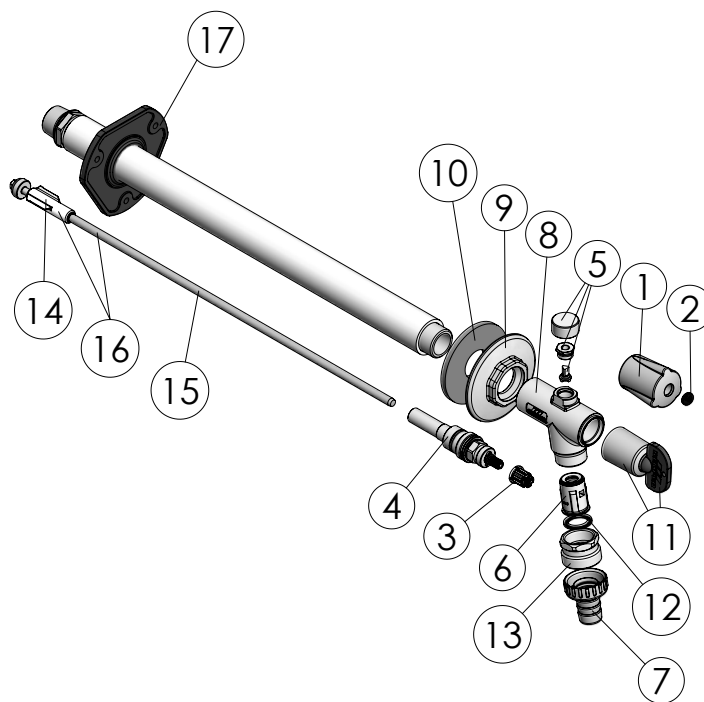
no.	description	DN 15			DN 20		
		part no.			part no.		
1	elbow with brackets	L41055750001500			L41055750001500		
2	breather	E21055730000100			E21055730000100		
3	drain housing	replaced by assembly kit (see below)					
4-6	set for final installation grip, complete	5900100100			5900100100		
7	hose coupling	Z21005741601500			5741402000		
8.1	tube diffuser with fine/inch thread	P310557502015KP			Z21055750002000		
8.2	adapter with inch thread for tube diffuser	P31055750501500					
9	inner top part	E01055750001500			E01055750001500		
10	XL Spindle, 500 mm	L51055750000300			L51055750000300		
10 + 11	valve plug with CV and XL spindle	B81095750001500			B81095750001500		
11	cone without guide for angled housing (year of construction 1998-1999)	B810957305015KP			B810957305015KP		
12	mounting plate	C21005750000100			C21005750000100		
13	socket key operated	5750000100			5750000100		
w/o illustr.	rebuild kit for "Frosti" 573 / 575, wrench operated tap	5741501500			see DN 15 (DN 20 out of stock)		
w/o illustr.	extension	5750000200			5750000200		
w/o illustr.	operating handle for FROSTI®, lockable	5750000300			5750000300		
w/o illustr.	dismantling key for lockable operating handle	5750100300			5750100300		
w/o illustr.	valve plug without check valve for frost-proof outdoor tap using rainwater	B81095730101500			B81095730101500		
w/o illustr.	valve plug with check valve	B81095730301500			B81095730301500		

Exploded view of FROSTI® frost-proof outdoor valve fig. 576 02 (production up to 2006)



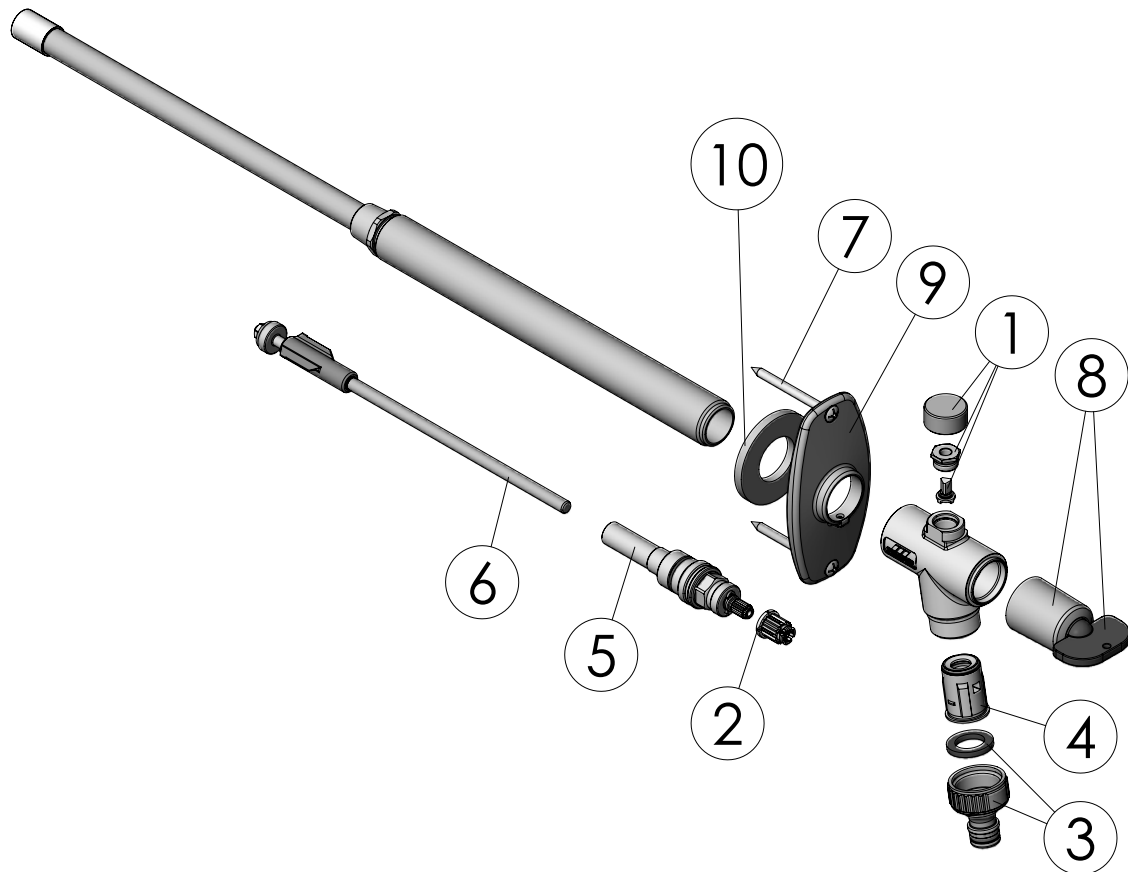
pos.	description	part no.		
1	breather	E21055730000100		
2-4	set for final installation grip, complete	5900100100		
5	hose coupling	Z21005741601500		
6	tube diffuser with fine/inch thread	P310557502015KP		
7	inner top part	E01055750001500		
8	valve plug with check valve and shaft	B81095760301500		
9	fixing screw	D31209990100200		
10	socket key operated	5750000100		
w/o illustr.	operating handle for FROSTI®, lockable	5750000300		
w/o illustr.	dismantling key for lockable operating handle	5750100300		

Exploded view FROSTI® frost-proof outdoor valve fig. 574 00/03/05 (production from 07/2006)



no.	description	DN 15			DN 20		
		part no.			part no.		
1-10, 12+13	set for final installation grip	5740101500			5740102000		
3-13	rebuild kit for "Frosti" 574	5741001500			5741002000		
1-3	FROSTI® operating knob complete	5740100100			5740100100		
4	inner top part	E010557400015KP			E010557400015KP		
5	breather	E21055730000100			E21055730000100		
6	plug-in tube diffuser including cone	P310057400015KP			P310057400015KP		
7	hose coupling	Z21005741601500			5741402000		
8 (incl.5&6)	FROSTI valve body Incl. aerator	5740201500			5740201500		
9	elbow with brackets	L41055740001500			L41055740001500		
10	PE gasket	C31005740000100			C31005740000100		
11+3	socket key operated for FROSTI®	5740000100			5740000100		
12	EPDM gasket for union connections	C31004760701500			C31004760701500		
13	hose nozzle adapter				P31055740002000		
14	valve plug with check valve	B81095740301500			B81095740301500		
15.1	spindle	L51055740000100			L51055740000100		
15.2	XL Spindle	L51055740000300			L51055740000300		
16.1	valve plug with check valve and shaft	B810957400015KP			B810957400015KP		
16.2	valve plug with CV and XL spindle	B810957405015KP			B810957405015KP		
17	fixing set for FROSTI®-PLUS	5740000500			5740000500		
w/o illustr.	extension for FROSTI®-PLUS	5740000200			5740000200		
w/o illustr.	operating handle for FROSTI®, lockable	5750000300			5750000300		
w/o illustr.	dismantling key for lockable operating handle	5750100300			5750100300		
w/o illustr.	FROSTI® special extension	5740300500			5740300500		
w/o illustr.	cone without CV	B81095740101500			B81095740101500		

Exploded view FROSTI® frost-proof outdoor valve fig. 577 02 (production from 2007)



no.	description	part no.		
1	breather	E21055730000100		
2	snap sleeve	L11005900000100		
3	hose coupling	Z21005741601500		
4	plug-in tube diffuser including cone	P310057400015KP		
5	inner top part	E010557400015KP		
6	valve plug with check valve and shaft	B81095770001500		
7	fixing screw	D31209990100200		
8	socket key operated for FROSTI®	5740000100		
9	elbow with brackets	L41055770101500		
10	PE gasket	C31005740000200		
w/o illustr.	operating handle for FROSTI®, lockable	5750000300		
w/o illustr.	dismantling key for lockable operating handle	5750100300		
w/o illustr.	FROSTI® operating knob complete	5740100100		
w/o illustr.	FROSTI collar XL	5771201500		



TRESOR lock

suitable for TRESOR wall cabinets

part no.

21099002KP




TRESOR lock with uniform key number

suitable for TRESOR wall cabinets

part no.

21099003KP



TRESOR mounting plate for sockets

suitable for TRESOR wall cabinets according to figure 210 and 213

part no.

E21202100300100



inner top part for KHS quarter turn stop valves with actuator

consisting of spindle, rotatable stainless steel-cone and EPDM-packing, according to accepted materials list from German environmental agency

part no.	for DN		
E012068600020KP	15-20		
E012068600025KP	25		
E012068600032KP	32		



actuator 24V for KHS quarter turn stop valves

suitable for figure 686 00

part no.	for DN		
6860000100	15-20		
6860000200	25-32		



spring return actuator 24V for KHS quarter turn stop valves

suitable for Figs. 686 01, 684 00, 684 01


part no.	for DN		
6860000300	15-20		
6860000400	25-32		



actuator 230V for KHS quarter turn stop valves

suitable for figure 620 00, 686 04, 686 08

part no.	for DN		
6860000500	15-20		
6860000600	25-32		



spring return actuator 230V for KHS quarter turn stop valves

suitable for Figs. 620 01, 686 05, 686 09, 684 04, 684 05

part no.	for DN		
6860000700	15-20		
6860000800	25-32		



KHS quarter turn stop valve without servo drive

suitable for figure 620 00, 620 01, 686 01, 686 04, 686 05, 686 08, 686 09


part no.	for DN		
6860G01500	15		
6860G02000	20		
6860G02500	25		
6860G03200	32		



network cable for KHS Mini Control System MASTER 2.0/2.1, from HW version 2.01

suitable for figure 686 02 008

part no.			
6860202000			



microSD card for network module in KHS Mini Control System MASTER 2.0/2.1

suitable for figure 686 02 008, Industry standard, pre-configured

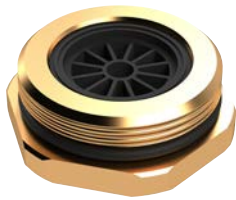
part no.			
6860202200			



spare parts set aerator for free drain until 07/2017

suitable for Fig. 688

part no.	for DN		
6880100100	20		
6880100200	25-32		



/// spare parts set areator for free drain from 07/2017

suitable for Fig. 688

part no.	for DN		
6880200100	20		
6880200200	25-32		



/// aerator set incl. flow limiter (4, 10, 20 l/min) for KHS Flush Points, Figure 684 00/01/04/05

wetted metal parts made from dezincification-free and corrosion-resistant gunmetal, resistant against aggressive water, for pressure independent flow limitation, free from dead spots, plastic parts with KTW and W 270 certification, operating pressure PN 10, 4 l/min, 10 l/min, 20 l/min, according to UBA (Federal Environmental Agency) valuation basis

part no.	shipping weight (kg)		
6841000100	0.06		



/// spare parts set float switch for free drain

suitable for figure 688 00, 684 00, 684 01, 684 04 and 684 05

part no.			
6880000100			



/// actuator 230V for KHS CoolFlow cold water balancing valve

suitable for Fig. 615 0G

part no.	for DN		
6150000100	15		



/// actuator 24V for KHS CoolFlow cold water balancing valve

suitable for Fig. 616 0G

part no.	for DN		
6160000100	15		



cooling pump for KHS CoolFlow cold water cooler

suitable for KHS CoolFlow cooler, figure 610 01, PWM-controlled coolant pump

part no.	shipping weight (kg)
6120100100	1.74



cold water circulation pump for KHS CoolFlow cold water cooler

suitable for KHS CoolFlow cooler, figure 610 01, wetted parts on the drinking-water side made of gunmetal, stainless steel and drinking-water-approved plastics, PWM-controlled circulation pump with gunmetal housing and integrated check valve

part no.	shipping weight (kg)
6120200100	3.61



controller for KHS CoolFlow cold water cooler

suitable for KHS CoolFlow cooler, figure 610 01

part no.	shipping weight (kg)
6120300100	0.54



plate heat exchanger for KHS cold water cooler

suitable for KHS CoolFlow cooler, figure 610 01, plate heat exchanger made of stainless steel grade 1.4401/1.4404

part no.	shipping weight (kg)
6120400100	2.40



Skymantle wrapping for KHS CoolFlow cold water cooler

suitable for KHS CoolFlow cooler, figure 610 01

part no.	shipping weight (kg)
6120700100	1.70



top cover for KHS CoolFlow cold water cooler

suitable for KHS CoolFlow cooler, figure 610 01

part no.	shipping weight (kg)		
6120800100	1.40		



Control unit PRO for KHS Hygiene Flush Box

rapid assembly by clicking into top-hat rails,

note: for upgrading the Hygiene Flush Box PURE to the Hygiene Flush Box PRO

part no.	shipping weight (kg)		
6890401200	0.97		



flow sensor for KHS Hygiene Flush Box PRO

Flow and temperature sensor (Pt1000) to record flushing volumes, bracket for flow sensor and connection cable included in the scope of delivery,

note: for upgrading the Hygiene Flush Box PURE to the Hygiene Flush Box PRO

part no.	shipping weight (kg)		
6890402000	0.09		



water exchange group PURE for KHS Hygiene Flush Box

water exchange groups for e.g. cold drinking water (PWC) and hot drinking water (PWH), wetted metal parts made from dezincification-free and corrosion-resistant gunmetal, resistant to aggressive water, stainless steel and drinking water-approved plastics, solenoid valve and aerator set incl. flow limiter (FL 5 l/min, 10l/min, 15 l/min) included in the scope of delivery, factory-installed flushing set for commissioning, rapid assembly with fastening parts included,

note: as extension components for upgrading the single-port Hygiene Flush Station PURE to double port

part no.	shipping weight (kg)		
6890402200	0.79		



water exchange group PRO for KHS Hygiene Flush Box

water exchange groups for e.g. cold drinking water (PWC) and hot drinking water (PWH), wetted metal parts made from dezincification-free and corrosion-resistant gunmetal, resistant to aggressive water, stainless steel and drinking water-approved plastics, solenoid valve, flow sensor for KHS Hygiene Flush Box PRO and aerator set incl. flow limiter (FL 5 l/min, 10 l/min, 15 l/min) included in the scope of delivery, factory-installed flushing set for commissioning, rapid assembly with fastening parts included,

note: as extension components for upgrading the single-port Hygiene Flush Station PRO to double port

part no.	shipping weight (kg)		
6890402300	0.84		



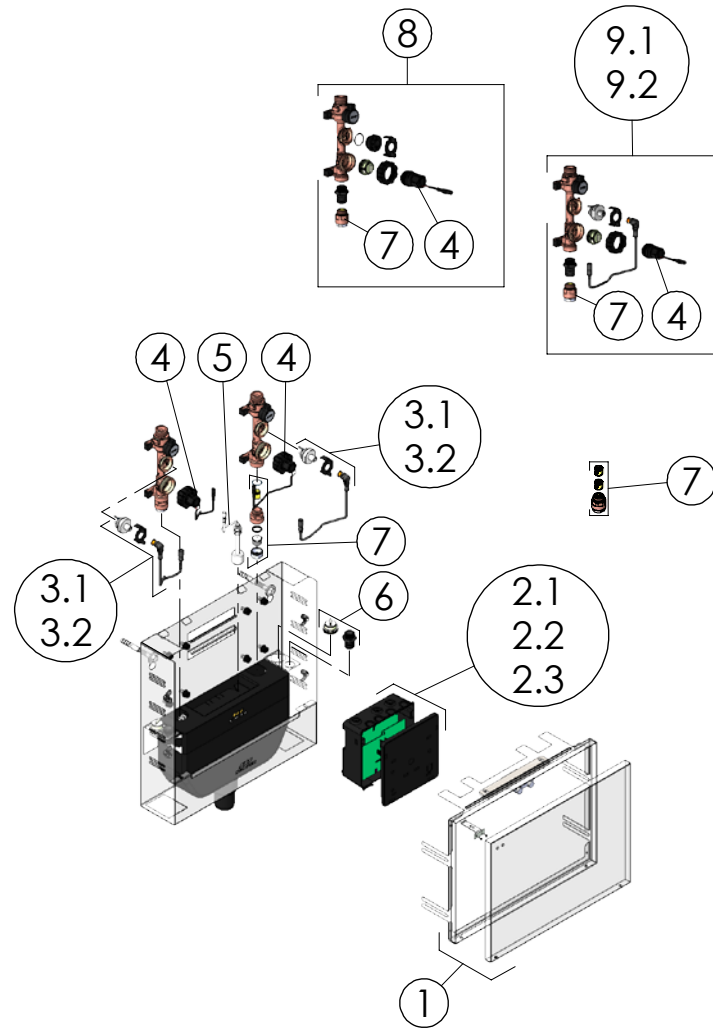
water exchange group LITE for KHS Hygiene Flush Box

water exchange groups for e.g. cold drinking water (PWC) and hot drinking water (PWH), wetted metal parts made from dezincification-free and corrosion-resistant gunmetal, resistant to aggressive water, stainless steel and drinking water-approved plastics, solenoid valve, flow sensor for KHS Hygiene Flush Box LITE and aerator set incl. flow limiter (FL 5 l/min, 10 l/min, 15 l/min) included in the scope of delivery, factory-installed flushing set for commissioning, rapid assembly with fastening parts included,

note: as extension components for upgrading the single-port Hygiene Flush Station LITE to double port

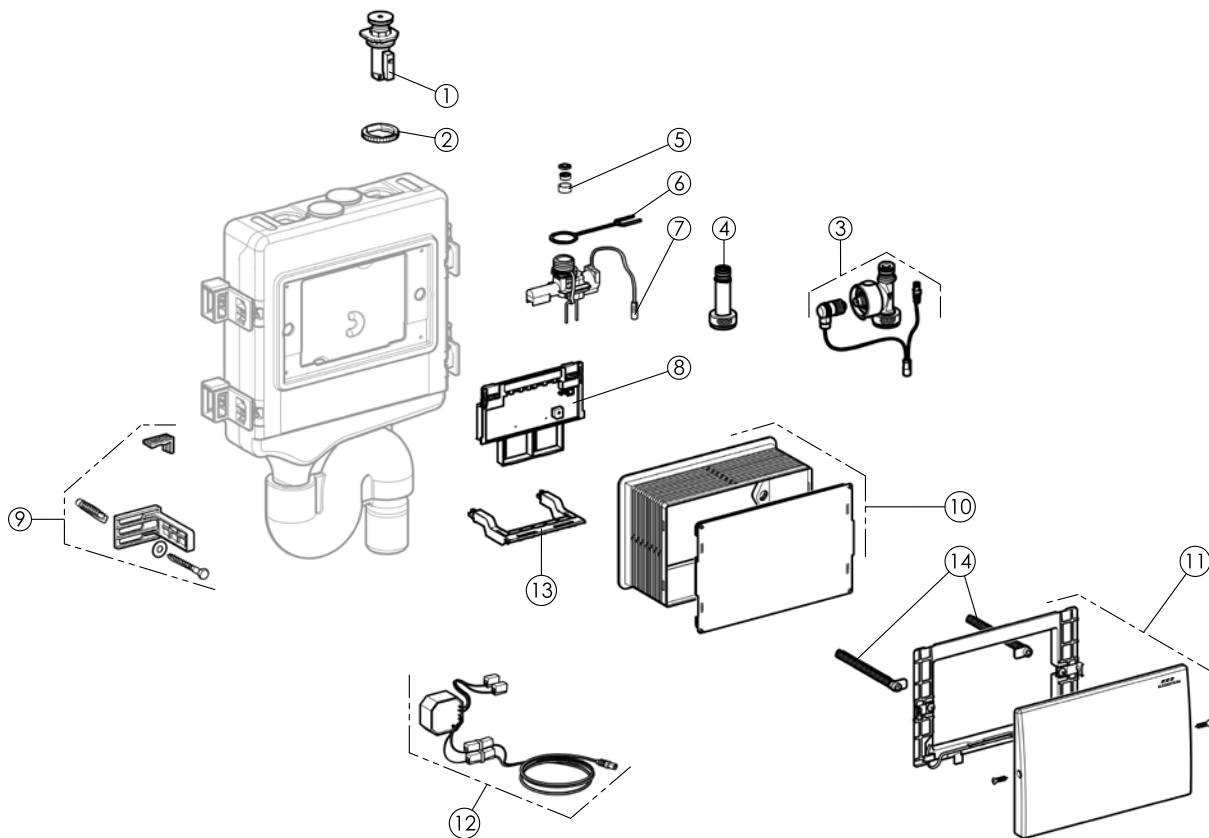
part no.	shipping weight (kg)
6890402400	0.82

Exploded view of KHS Hygiene Flush Box figure 689 03 005/006/007/008/009/010



no.	description	part no.		
1	mounting frame and cover for KHS Hygiene Flush Box	6890401800		
2.1	Control unit PRO for KHS Hygiene Flush Box	6890401200		
2.2	Control unit PURE for KHS Hygiene Flush Box	6890401100		
2.3	Control unit LITE for KHS Hygiene Flush Box	6890401300		
3.1	flow sensor for KHS Hygiene Flush Box PRO	6890402000		
3.2	flow sensor for KHS Hygiene Flush Box LITE	6890402100		
4.1	solenoid valve for KHS Hygiene Flush Box	6890401600		
4.2	float switch for KHS Hygiene Flush Box	6890401700		
5	plug and nozzle for solenoid valve of KHS Hygiene Flush Box	6890402500		
6	Aerator set for KHS Hygiene Flush Box PRO, PURE and LITE	6890401900		
7	water exchange group PURE for KHS Hygiene Flush Box	6890402200		
8	water exchange group PRO for KHS Hygiene Flush Box	6890402300		
9	water exchange group LITE for KHS Hygiene Flush Box	6890402400		

Exploded view of KHS HS2® hygienic flushing box fig. 689 03



no.	description	part no.		
1	ball valve	6860301100		
2	check nut for KHS HS2 hygiene flushing box	H91056860301000		
3	CONTROL-PLUS flow measurement valve for KHS HS2® hygienic flushing box	6894G00100		
4	coupling piece (for hygiene flushing box without flow sensor)	C11056890304600		
5	service set (4, 10, 15 l/min) for KHS HS2® hygienic flushing box	6899900100		
6	solenoid valve locking tab	6891100100		
6+7	solenoid valve unit	E41006890301200		
8	control unit	E41006890301400		
9	fixing set for KHS HS2 hygiene flushing box	6860301900		
10	protection cover for KHS HS2 hygiene flushing box	B31006860301500		
11	cover plate	B31006890301600		
12	power pack with output cable, length 5 m, for KHS HS2 hygiene flushing box	E41006860301800		
13	control unit bracket	6891000100		
14	distance bolt for cover plate	6890302000		



double screen insert for strainer 602

suitable for strainer figure 602 00, according to accepted materials list from German environmental agency, mesh width outer supporting sieve 0.6 mm, mesh width inner screen 0.3 mm

part no.	for DN		
E31206020001000	10		
E31206020001500	15		
E31206020002000	20		
E31206020002500	25		
E31206020003200	32		
E31206020004000	40		
E31206020005000	50		



double screen insert for strainer 605

suitable for strainer figure 605 00, according to accepted materials list from German environmental agency, mesh width outer supporting sieve 0.6 mm, mesh width inner screen 0.3 mm

part no.	for DN		
E31206050005000	50		
E31206050006500	65		
E31206050008000	80		
E31206050010000	100		



PTFE seat gasket

for stop valves made entirely of gunmetal according to figure 135, 173, 176 and 190 with top lip gasket manufactured to 05/2006 as well as combined stop and check valves with flow body made entirely of gunmetal according to figure 145 with top seal manufactured to 05/2006, colour: white, according to accepted materials list from German environmental agency

part no.	for DN	diameter (mm)		
B91001731401500	15	16.4		
B91001731402000	20	22		
B91001731402500	25	28		
B91001731403200	32	36		
B91001731404000	40	41.5		
B91001731405000	50	53		
B91001731406500	65	68		
B91001731408000	80	81		



EPDM seat gasket

for stop valves figures 135, 173, and 190 with lip gasket from 06/2006, combination stop- and check valve figure 145 from 06/2006, according to accepted materials list from German environmental agency

part no.	for DN	diameter (mm)		
B91001700701500	15	16.4		
B91001730802000	20	22		
B91001730802500	25	28		
B91001730803200	32	36		
B91001700704000	40	41.5		
B91001730805000	50	53		
B91001730806500	65	68		
B91001730808000	80	81		



spindle seal as self-lubricating EPDM lip gasket for valves

for stop valves according to figure 135, 173, 176 and 190, combined stop and check valves with flow body according to figure 145 and 146 as well as combined stop and check valves according to figure 160 and 193., according to accepted materials list from German environmental agency

for DN	up to 05/2006			from 06/2006		
	part no.			part no.		
15	C91001730301500			C91001730302000		
20	C91001730301500			C91001730302000		
25	C91001730302500			C91001730302500		
32	C91001730302500			C91001730302500		
40	C91001730304000			C91001730302500		
50	C91001730304000			C91001730304000		
65	C91001730306500			C91001730306500		
80	C91001730306500			C91001730306500		



EPDM seat gasket

suitable for angle seat bonnets, according to accepted materials list from German environmental agency

part no.	for DN	diameter (mm)		
C31001730701500	15	26.5		
C31001730702000	20	32.5		
C31001730702500	25	40		
C31001730703200	32	50		
C31001730704000	40	58		
C31001730705000	50	70		
C31001730706500	65	88		
C31001730708000	80	102		



EPDM gasket for union connections

suitable for FROSTI® frost-proof outdoor valve figure 574 00, 574 03 and 574 05, suitable for screw connections according to figure 476, according to accepted materials list from German environmental agency

part no.	for DN	diameter (mm)		
C31004760701500	15	24		
C31004760702000	20	30		
C31004760702500	25	39		
C31004760703200	32	44.5		
C31004760704000	40	50.5		
C31004760705000	50	66		
C31004760706500	65	84.7		
C31004760708000	80	97		



box with spare gaskets

with EPDM-gaskets figure C3100 476 07, for union connection figure 476, with 20 pcs. each of DN 15, DN 20, DN 25, DN 32 and 10 pcs. each of DN 40 and DN 50


part no.			
4769900100			



Installation sleeve for replacement of spindle seal

for replacement of spindle seal on stop valves

part no.	for DN		
M91001730001500	15-20		
M91001730002500	25-40		
M91001730005000	50		
M91001730006500	65		



handwheel

color: red, suitable for WESER stop valves and stop valves with flange connection figure 135 01/02

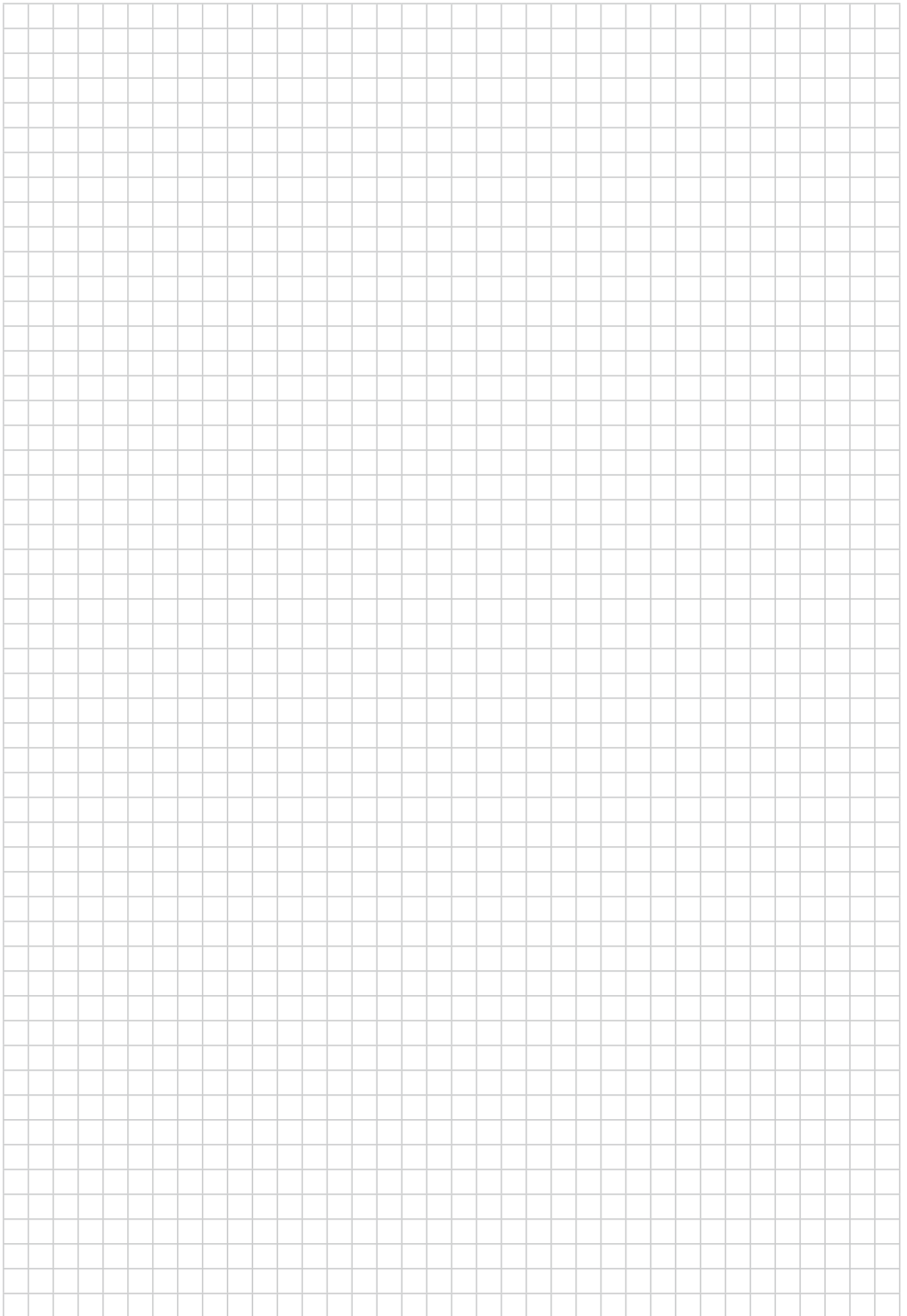
part no.	for DN		
G01000600612000	15-20		
G01000600712000	15-20		
G01000700813200	25-40		
G01000900915000	50		
G01001201218000	65-80		


handwheel set

suitable for free-flow stop valve and free-flow combined stop and antipollution check valve, incl. silver and brown colour plates



part no.	for DN	for series		
9990000600	15-20	stainless steel		
9990000700	15-20	gunmetal		
9990000800	25-40	gunmetal and stainless steel		
9990000900	50	gunmetal and stainless steel		
9990001200	65-100	gunmetal		



General Terms and Conditions of Sales

I. Decisive conditions, conclusion of contract

1. The following terms and conditions shall apply exclusively to all orders. Any conflicting terms and conditions of business or purchase shall have no legal effect, even if we do not expressly object and carry out the delivery without reservation. By placing an order and/or accepting delivery, the ordering party shall acknowledge our terms and conditions.
2. The order shall become binding for us when we give our written confirmation or start executing the order. All agreements made between us and the ordering party for the purpose of executing this contract shall be set out in writing in this contract. Any amendments, additions or other subsidiary agreements shall require our written confirmation to be binding. Any expressly agreed contractual provisions shall take precedence over the provisions in these general terms and conditions.

II. Offer, cost estimate, dimensions, weights, quantities

1. Our offers as well as the prices and delivery options stated in our catalogues, print material, letters etc. are subject to change without notice, unless otherwise stated in the order confirmation or unless we have expressly declared otherwise in writing. Cost estimates shall not be binding.
2. Unless they are expressly marked as binding, attached documents such as illustrations, drawings, weight and measurement specifications are approximate values in keeping with standard industry practice. In particular with regard to our valves, we reserve the right to deviate in terms of dimensions and materials. Insofar as flow rates and resistance coefficients of our valves are listed in our catalogues, these figures merely enable the correct selection and dimensioning of the valves to be fitted or give an indication of the pump capacities to be installed. The values for operating pressures and temperatures given in our tables are only valid up to a nominal width of DN 80. Deviating operating pressures and temperatures represent special designs, for which surcharges apply. In the case of special designs, the ordering party must provide detailed information on pressure, medium and temperature.
3. We reserve property rights and copyrights to illustrations, brochures, calculations and other documents; they must not be made accessible to third parties. This shall apply in particular to such written documents that are designated as "confidential"; the ordering party shall require our express written consent before passing them on to third parties.
4. Deviations in dimensions, weight and quantity within the scope of customary commercial tolerances, relevant DIN regulations and technical casting requirements shall be permissible. Specifications of dimensions and weights in our offers and order confirmations shall not constitute quality guarantees.
5. The delivery weights and quantities determined by us shall be decisive for the calculation.

III. Prices, reservation of right to change prices

1. Unless otherwise stated, our prices shall be in euros ex works, plus any VAT, excluding packaging, freight, customs duty and insurance, which may be charged separately.
2. For all orders – including orders on call and successive delivery contracts – where delivery is made later than four months after placing the order in accordance with the contract or at the ordering party's request, we shall be entitled to pass on material and wage price increases to the ordering party within the scope of and as compensation for these price increases between conclusion of the contract and delivery. The following shall apply to entrepreneurs within the meaning of section 14 of the German Civil Code (Bürgerliches Gesetzbuch – BGB): If the price at the time of performance of the service has increased due to a change in the market price or an increase in the fees charged by third parties involved in the performance of the service, the higher price shall apply. If this price is more than 20 per cent higher than the agreed price, the customer shall have the right to withdraw from the contract promptly after we have notified him accordingly.
3. Price agreements for reworking business shall apply on condition that the ordering party provides the necessary material 6 weeks before the delivery date carriage-free. If this is not the case we shall be entitled to cover our metal needs at the ordering party's expense at current prices.

IV. Shipment, packaging costs, transfer of risk

1. Shipment shall be effected at the expense and risk of the ordering party. Unless otherwise agreed in writing, the delivery term shall be "FCA (Free Carrier) Olpe" (Incoterms® 2020). This shall even apply if we have undertaken to bear the transport costs. We shall not be liable – even in the case of carriage paid delivery – for damage or loss during transport. Unless otherwise agreed, we shall decide on the type of packaging and shipment.
2. Goods which have been notified as ready for dispatch must be collected immediately, otherwise we shall be entitled, at our own discretion, to either dispatch them or store them at the cost usually charged by a forwarding agency and at the ordering party's risk. One week after commencement of storage, the goods shall be deemed delivered. If dispatch is delayed due to circumstances for which we are not responsible, risk shall pass to the ordering party on the date when he was notified that the goods were ready for dispatch.
3. Risk shall pass to the ordering party when the goods are handed over to the railway, the forwarding agent or the carrier or 1 week after the commencement of storage, but at the latest when the goods leave the factory or warehouse, even if we have undertaken to deliver them.

V. Terms of payment and consequences in case of non-compliance, set-off

1. Our receivables shall be payable in accordance with the agreed terms of payment or as specified in the order confirmation. After the due date, we shall charge annual interest of 9 percentage points (5 percentage points for private consumers) over the respective base interest rate. Unless there is a separate agreement or specifications in the order confirmation, our receivables shall be payable free of postage and expenses within 30 days of receipt of our invoice or an equivalent list of receivables, but no later than 30 days after the due date and receipt of the consideration. Subsequently, we shall charge annual interest at a rate of 9 percentage points (5 percentage points for private consumers) over the respective base interest rate.
2. The customer may only set off our claims against counterclaims that are undisputed or legally enforceable or such claims that are ready for decision.

VI. Delivery terms and liability regulations, purchase obligations for master and call orders, returns

1. The delivery term shall start as soon as all execution details, in particular technical issues, have been clarified, both parties have agreed on all conditions of the transaction and the ordering party has made the agreed down payment, if any. The delivery date shall be deemed observed if the delivery item has left the factory or the ordering party has been notified that the goods are ready for dispatch before its expiry. Unless otherwise agreed or unless otherwise provided for in the contractual relationship, the delivery term stated by us shall always be non-binding.

2. If, for reasons for which we are responsible, our delivery is neither made in due time nor within a grace period to be set by the ordering party, the ordering party shall be entitled to withdraw from the ordered delivery.
3. The following shall apply to claims for damages due to delayed performance or non-performance instead of performance: If we are in default of delivery, in respect of which we are only guilty of ordinary negligence, the ordering party's claim for compensation for default damages proven by him shall be limited to 0.5 per cent for each completed week of the delay but no more than a maximum of 5 per cent of the invoice value of the order affected by the delay. If the ordering party can demand compensation for damages instead of performance, we shall be liable for damages in the event of sale to a private consumer (section 13 of the German Civil Code) if major obligations of the contract are violated even in the case of ordinary negligence, but any claims shall be limited to compensation for the damage foreseeable at the time of conclusion of the contract. In the case of sale to an entrepreneur, the same shall apply with the proviso that the claims shall be limited to fifty per cent of the order value.
4. In cases where one party is affected by force majeure (including strike and lockout in third-party companies), each party shall be entitled to suspend the performance of their contractual obligations without being liable for damages and/or reimbursement of expenses. However, the above provisions shall not apply to claims for damages arising from injury to life, body or health or from intentional or grossly negligent breaches of obligations by the contracting party or their vicarious agents. The other contracting party shall be notified of the impediment to performance promptly and without undue delay. Force majeure within this meaning shall be deemed to have occurred in the case of an event external to the business, externally caused by elementary forces of nature or by actions of third parties, which is unforeseeable according to human insight and experience, cannot be prevented or rendered harmless by economically acceptable means, even by the utmost care reasonably to be expected under the circumstances, and is not to be accepted by the business operator even due to its frequency in the business. If contractual performance is delayed by more than four (4) months for reasons of force majeure as defined above, and if the parties have not agreed on a new basis for continuing contractual performance at the end of the delay, either party may, after this period and if the cause of non-performance continues to exist, give written notice of termination of the contract to the other party or, if the legal requirements are met, withdraw from the contract.
5. Partial deliveries of up to 10 per cent shall be permissible, unless the ordering party has specified in writing in the order that partial deliveries shall not be permissible.
6. If we postpone dispatch at the ordering party's request, the ordering party shall be charged the costs incurred by storage, starting 1 month after notification of readiness for dispatch, but in the case of storage at the supplier's factory at least 0.5 per cent of the invoice amount for each month. However, the supplier shall be entitled to dispose otherwise of the delivery item after the fruitless expiry of a reasonable period of time and to effect delivery to the ordering party within a reasonably extended period of time.
7. Agreed delivery terms and dates shall be extended or postponed by the period by which the ordering party is in arrears with his obligations, without prejudice to our rights arising from default on the part of the ordering party. If the ordering party is in default of acceptance or culpably violates other obligations to cooperate, we shall be entitled to demand compensation for the damage incurred to us in this respect, including any extra expenses. In this case, the risk of accidental loss or accidental deterioration of the purchased item shall also pass to the ordering party at the point in time when the ordering party defaults on acceptance. In the event that the ordering party defaults on acceptance we may refuse further delivery.
8. Master and call orders must be called off within 8 months of the date of the order confirmation at the latest. The delivery period must not exceed 3 months. If the orders are not called off within the specified period or the delivery time is exceeded, we shall be entitled to withdraw from the contract after the expiry of a reasonable grace period and to claim damages for non-performance.
9. Goods may only be returned after prior agreement. In the case of goods returned for credit, 20 per cent shall be deducted as a handling fee. In the event that we take back goods that are subject to a reservation of title, we shall also be entitled to demand compensation for use or compensation for the reduction in value of the goods during the period of possession by the ordering party.

VII. Notice of defects, claims for defects, liability regulation

1. Notwithstanding the more extensive inspection and complaint obligations (section 377 of the German Commercial Code (Handelsgesetzbuch – HGB) existing in the case of a mutual commercial transaction, the ordering party must inspect the delivered goods for obvious defects and notify us in writing of any complaints regarding such obvious defects – the same shall apply to incomplete or incorrect deliveries – within one week of receipt of the goods and, in the case of defects which only become obvious later, within one week of their detection by the ordering party; otherwise the goods shall be deemed to have been approved in respect of the obvious defect and the ordering party can no longer derive any rights against us in this respect. This shall not apply in the case of a direct sale to a private consumer. In the event of a justified notice of defect, we shall be obliged to rectify the delivered goods free of charge or, at our discretion, to make a replacement delivery. In the case of a sale to a private consumer, whether directly or through the subcontractor in the supply chain, the consumer or the subcontractor shall have the right of choice. If the rectification or replacement should fail despite two attempts, or if we refuse it without justification or delay it unreasonably, the ordering party shall be entitled to demand a reduction of the payment or, if a construction service is not the object of the liability for defects, to demand cancellation of the contract at his discretion.
2. The following shall apply to claims for compensation, subject to the provision in clause VIII (Other liability): In the case of sale to a private consumer, whether directly or through subcontractors in the supply chain, we shall be liable for compensation instead of performance in the event of a breach of the main obligations of the contract, even in the case of ordinary negligence, but any claims for compensation shall be limited to compensation for the damage foreseeable at the time of conclusion of the contract, unless we fraudulently concealed the defect or granted a guarantee for the quality of the item. In the case of sale to an entrepreneur, the same shall apply with the proviso that the claims shall be limited to fifty per cent of the value of the defective item, however sentence 1 shall also apply in this case if a private consumer buys the goods in the supply chain and has claims arising from a breach of obligations.
3. Warranty shall be ruled out if the defect is due to a violation of operating, maintenance or installation instructions, unsuitable or improper use, incorrect or negligent treatment by the ordering party, natural wear and tear as well as any interference with the delivery item by the ordering party or third parties.

VIII. Other liability (limitation and exclusion)

1. Apart from the above-mentioned claims for default and defects, we shall accept no liability unless the damage is due to a grossly negligent breach of obligations on our part or due to an intentional or grossly negligent breach of obligations by our legal representatives or vicarious agents, or unless the damages either result from injuries to life, body or health that are due to a breach of obligations on our part or due to an intentional or negligent breach of obligations by our legal representatives or vicarious agents, or are damages that are usually and typically insurable subject to reasonable terms and conditions through a third-party liability insurance to be taken out by us. This shall apply in particular to claims for damages arising from culpa in contrahendo, a breach of secondary obligations and unlawful acts.

2. Claims under the German Product Liability Act (Produkthaftungsgesetz – ProdHaftG) and from a guarantee shall not be affected.

IX. Statute of limitations, time limits

1. The claims under clause VII. (1) and (2) shall become statute-barred within one year of the delivery being handed over to the ordering party.

2. As an exception, these claims shall become statute-barred within the statutory period of limitation

- in the case of an intentional, fraudulent or grossly negligent breach of obligations by us, our legal representatives or vicarious agents;
- in the case of damages resulting from injury to life, body or health, due to a negligent breach of obligations on our part or due to an intentional or negligent breach of obligations by our legal representatives or vicarious agents;
- for claims arising from a guarantee for the quality of the item;
- in the case of a direct sale to a private consumer;
- insofar as we are obliged to reimburse the expenses which the ordering party has to bear in relation to a private consumer and/or a subcontractor in the supply chain due to the sale of a new item for the purpose of rectification (section 478 para. (2) of the German Civil Code);
- if the item delivered by us has been used for a building in accordance with its normal use and has resulted in the defectiveness of the building and Part B of the German Contracting Rules for Building Works (Teil B der Verdingungsordnung für Bauleistungen) was not the overall basis of the contractual relationship.

3. In all cases, the limitation period shall commence in accordance with statutory provisions. The statutory provisions on suspension of the statute of limitations, suspension and commencement of the periods shall remain unaffected. In the case of claims for damages under the German Product Liability Act, the statutory limitation regulations shall apply. The statutory limitation rules shall also apply in the case of intentional and grossly negligent breaches of obligations.

4. To the extent that we are liable pursuant to clause VIII. because the damage in question is of a kind that can usually and typically be insured subject to reasonable terms and conditions through a liability insurance policy to be taken out by us, the limitation period shall be 1 year.

X. Property rights, equipment, models and drawings

1. If deliveries are made according to drawings or other information provided by the ordering party, the ordering party shall be responsible for their correctness and for ensuring that the property rights of third parties are not infringed; the customer shall indemnify us against all claims of a property right owner.

2. Tools, moulds, models and equipment required for the ordered goods can be charged by us in full or proportionately. They shall remain our property unless expressly agreed otherwise with the customer. If they are manufactured according to specifications of the ordering party, they shall be used exclusively for deliveries to the ordering party as long as the ordering party meets his acceptance and payment obligations and the business relationship continues.

3. The costs for the maintenance, modification and use of the models or casting equipment including the subsequent moulds shall be borne by the ordering party. If the patterns or moulds are provided by the ordering party, the ordering party shall be liable for ensuring that they are correctly designed for the casting process and that the models and casting equipment are executed in a way that fits the intended use. We shall not be obliged – except by written agreement – to check the conformity of the casting equipment provided with the attached drawings. We may modify production equipment provided by the ordering party after consultation and approval if this appears necessary to us for reasons related to the casting process. Models, moulds, die-casting equipment and other materials provided to us by the ordering party shall be stored by us with the necessary care. We shall accept no liability in the event of a possible loss, not even for consequential damage, unless we, our legal representative or vicarious agents are guilty of an intentional, fraudulent or grossly negligent breach of obligations.

4. The ordering party shall bear the costs of modification, maintenance and replacement of his production equipment.

5. Drawings and documents handed over to the ordering party by us shall not be passed on to third parties unless we have given our written consent. We shall be entitled to demand the return of these drawings and documents at any time.

XI. Reservation of title

1. We shall reserve title to the delivery item (reserved goods) until all our claims against the ordering party arising from the business relationship, including future receivables, also those arising from contracts concluded at the same time or later, have been settled. In the case of a current account, the reserved property and all rights shall be deemed securities for our entire outstanding balance in addition to interest and costs. In the event of seizure or other interventions by third parties, the ordering party shall notify us promptly.

2. The ordering party shall be entitled to process and resell the delivery item in the ordinary course of business. This power shall end if the ordering party is in default of payment, or if the ordering party ceases to make payments, or if an insolvency petition is filed against the ordering party. He shall be obliged to resell the reserved goods only subject to a reservation of title and to ensure that the receivables from the resale are transferred to us in accordance with clauses 5 and 6. The use of the reserved goods for the fulfilment of contracts for work and contracts for work and materials shall also be deemed to be a resale. He shall not be entitled to dispose of the reserved goods in any other way, in particular to pledge them or assign them as security. An assignment of the receivables from the resale of our reserved goods shall not be permitted, unless it is an assignment by way of genuine factoring that is reported to us and in which the factoring proceeds exceed the value of our secured receivables. On the crediting of the factoring proceeds, our receivable shall be due immediately.

3. By processing the reserved goods, the ordering party shall not acquire ownership of the new item pursuant to section 950 of the German Civil Code. The processing and transformation of the goods by the ordering party shall always be carried out in our name and on our behalf,

but without any obligation on our part. From then on, the processed goods shall be deemed to be reserved goods.

4. If the reserved goods are processed, combined or intermixed with other goods, we shall be entitled to co-ownership of the new item in the ratio of the invoice value of the reserved goods to the invoice value of the other goods used. If our ownership expires due to combination, intermixing or processing, the ordering party hereby assigns to us the ownership and expectant rights to the new stock or item within the scope of the invoice value of the reserved goods, in the case of processing in the ratio of the invoice value of the reserved goods to the invoice value of the other goods used, and shall store them for us free of charge. Our co-ownership rights shall be deemed reserved goods.

5. The ordering party's receivables from the resale of the reserved goods are hereby already assigned to us. They shall serve as security to the same extent as the reserved goods.

6. If the reserved goods are resold by the ordering party together with other goods, the receivable from the resale shall be assigned to us in the ratio of the invoice value of the reserved goods to the invoice value of the other goods. In the event of a resale of goods in which we have co-ownership shares in accordance with clause 4, a part of the receivables corresponding to our co-ownership share shall be assigned to us.

7. If a secured event occurs (objective insolvency, non-payment, suspension of payments, insolvency, etc.), the ordering party undertakes to provide us with an exact list of his receivables with names and addresses, to notify his customers of the assignment promptly and to provide us with all information necessary for the assertion of the assigned receivables.

8. If the value of the existing securities exceeds the secured receivables by a total of more than 20 per cent, we shall be obliged to release securities of our choice at the ordering party's request, taking into account the ordering party's interests.

9. Based on the reservation of title, we may demand the return of the delivery item if we have withdrawn from the contract. We shall be entitled to withdraw from the contract without regard to the further requirements of section 323 of the German Civil Code from the point in time when the customer is in default of payment in whole or in part; in particular, no further deadline need be set by us to exercise our right of withdrawal. The same shall apply if the customer ceases to make payments or if an insolvency petition is filed against him. All costs arising from the repossession of the delivery item shall be borne by the ordering party. We shall be entitled to freely dispose over the returned delivery item.

XII. Place of performance, legal venue, governing law

1. The place of performance shall be our registered place of business, unless otherwise stated in the order confirmation.

2. The place of jurisdiction in the case of contracts with merchants and legal entities shall be the competent court at our registered place of business. However, we shall also be entitled to take legal action against the ordering party at the court of his registered place of business.

3. The legal relations between the parties shall be governed exclusively by German law to the exclusion of the UN Convention on Contracts for the International Sale of Goods (UNCITRAL/CISG) and the UN Statute of Limitations.

XIII. Data processing

We are entitled to process personal data within the scope of the business relationship. The rights of data subjects are very important to us. Our entire privacy statement, as well as the rights of data subjects, can be viewed at any time on our website under the link <https://www.kemper-olpe.de/de/meta-navigation/datenschutz/>.

XIV. Final provisions, miscellaneous

1. Personal data of the supplier shall be stored by us in accordance with the provisions of the General Data Protection Regulation (GDPR).

2. The contractual language shall be German. Insofar as the contract partners additionally use another language, the German wording shall take precedence.

3. Weight measurements shall be determined using calibrated measuring instruments and originate from freely programmable additional equipment. The calibrated measured values shall be stored unchanged for at least three months after receipt of delivery and can be viewed by the customer.

Last updated: September 2021



Gebr. Kemper UK & Ireland Limited
2 Ripple Court Bickeridge
Bickeridge Business Park
Twynning / Tewkesbury
Gloucestershire, GL20 6FG
Great Britain

Tel. +44 16 84 85 49 30
sales@kemper-uk.com
www.kemper-uk.com