

HARWI ORCA

Vertical Panelsaw



BUILT TO LAST

HARWI ORCA

Vertical Panelsaw

START - BASIC - PREMIUM - PRO

HARWI ORCA

The **Harwi Orca** vertical panel saw is an excellent choice when you are dealing with an intensive sawing process that requires high accuracy. The Orca is equipped with a **powerfull 4kW electric motor** that indirectly drives the sawing blade up to 5000 rpm. The **strong welded frame construction** and stable sawing beam ensures the perfect cut. Due to its maintenance friendly character and long lifespan, interior builders & carpentry factories have been charmed by our Orca machines for years. The Harwi Orca is available in a **Start, Basic, Premium or Pro** version.





Harwi Orca

Introducing the Harwi Orca: Revolutionize your woodworking experience with precision and efficiency like never before. The Harwi Orca vertical panel saw is engineered to deliver unparalleled performance, making it the ultimate solution for professionals and enthusiasts alike.

Crafted with precision and innovation, the Harwi Orca is designed to effortlessly handle a wide range of cutting tasks with ease. Its vertical design maximizes space utilization while offering exceptional stability and accuracy, ensuring clean and precise cuts every time. Whether you're cutting plywood, MDF, or solid wood, the Harwi Orca rises to the challenge with unmatched precision.

Equipped with a powerful motor and advanced cutting technology, the Harwi Orca delivers smooth and effortless cuts, reducing waste and optimizing productivity. Its intuitive controls and ergonomic design make operation a breeze, allowing you to focus on your craft without unnecessary hassle.

Safety is paramount, and the Harwi Orca is built with a range of safety features to ensure peace of mind while working. From blade guards to emergency stop mechanisms, every aspect of the saw is engineered with user safety in mind.

Versatile and reliable, the Harwi Orca is the perfect addition to any woodworking shop or production facility. This vertical panel saw will exceed your expectations and elevate your woodworking projects to new heights.

Experience the power, precision, and performance of the Harwi Orca – the ultimate vertical panel saw for those who demand nothing but the best.

Specifications

Type	Harwi Orca Start	Harwi Orca Basic	Harwi Orca Premium	Harwi Orca Pro
Height of cut horizontal	1250/1550/1850/2150mm	1250/1550/1850/2150mm	1250/1550/1850/2150mm	1250/1550/1850/2150mm
Height of cut vertical	1300/1600/1900/2200mm	1300/1600/1900/2200mm	1300/1600/1900/2200mm	1300/1600/1900/2200mm
Length of cut	2500/3300/4300/4300mm	2500/3300/4300/4300mm	2500/3300/4300/4300mm	2500/3300/4300/4300mm
Depth of cut	55 mm	55 mm	55 mm	55 mm
Diameter saw blade	∅ 250 mm	∅ 250 mm	∅ 250 mm	∅ 250 mm
Diameter scoring saw	-	-	-	∅ 70 mm
Sawblade bore	∅ 30 mm	∅ 30 mm	∅ 30 mm	∅ 30 mm
Motor Power	4 kW (5.5 hp)	4 kW (5.5 hp)	4 kW (5.5 hp)	4 kW (5.5 hp)
Voltage	400 Volt / 3N	400 Volt / 3N	400 Volt / 3N	400 Volt / 3N
Saw blade	5.000 rotation per minute	5.000 rotation per minute	5.000 rotation per minute	5.000 rotation per minute
Scoring saw	-	-	-	13.000 rotation per minute
Diameter dust extraction	∅ 100 mm	∅ 100 mm	∅ 100 mm	∅ 100 mm



Model specifications

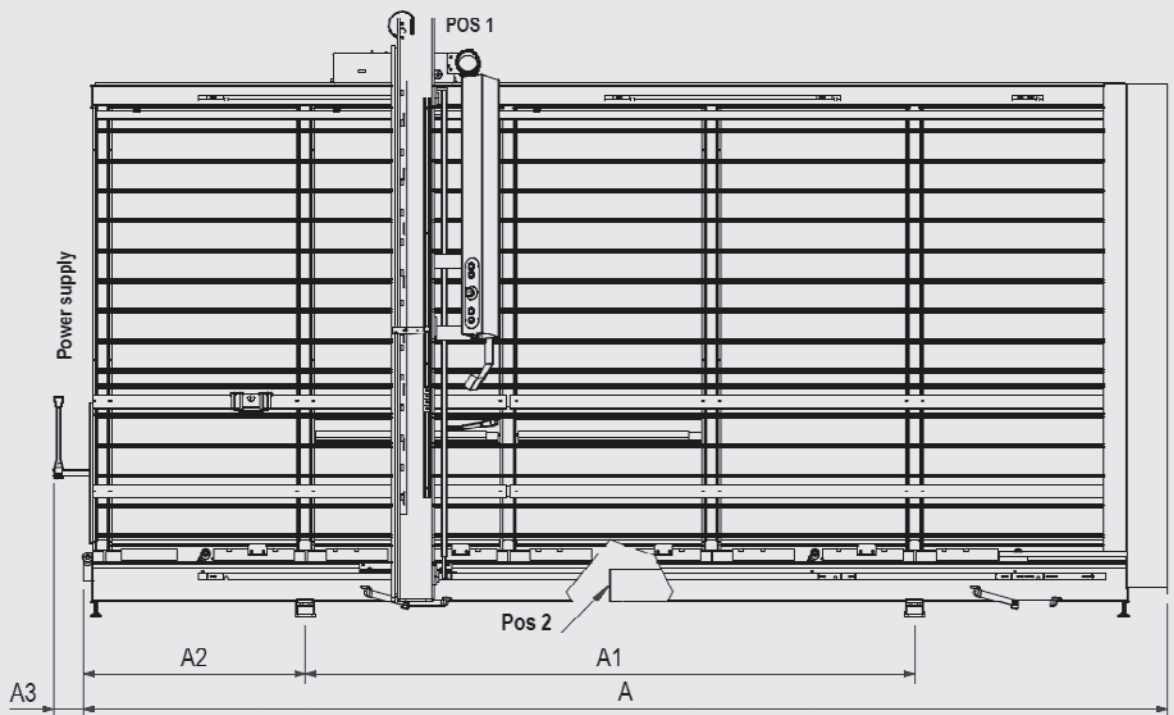
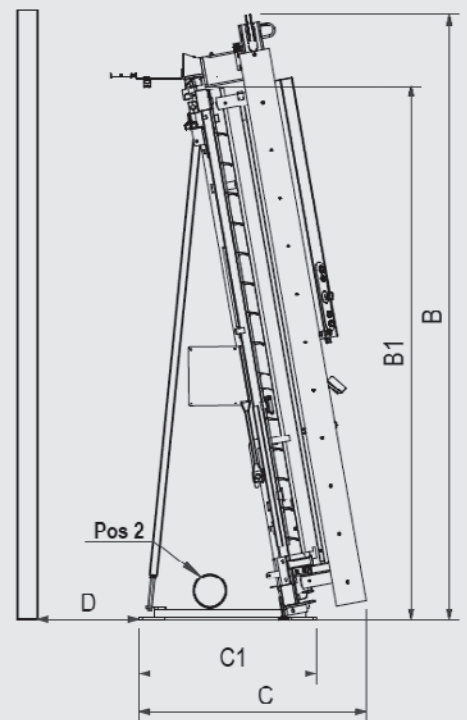
	Harwi Orca Start	Harwi Orca Basic	Harwi Orca Premium	Harwi Orca Pro
Electrical moving back panel	✓	✓	✓	✓
Length stop analog	✓	✓	✓	✓
24VDC power supply for dust extractor	✓	✓	✓	✓
Panel mover	X	✓	✓	✓
Midway fences*	✓	✓	✓	✓
Electro clamping horizontal	X	✓	✓	✓
Reiteration stop	✓	✓	✓	✓
Stops for horizontal cuts	✓	✓	✓	✓
Support midway fence	✓	✓	✓	✓
Midway fence guiding block	✓	✓	✓	✓
TRK Dust extraction horizontal	X	X	✓	✓
Transportrollers foot operated	X	O	✓	X
Transportrollers pneumatic	X	X	X	✓
Digital read out horizontal / vertical	X	X	O	✓
Scoring saw	X	X	O	✓

✓ = standard X = not possible O = optional

* Midway fences 1250 = 2 pieces / 1550 = 3 pieces 1850/2150 = 4 pieces

Dimensions (mm)

	Orca 1250 / 1550 Start/Basic	Orca 1250 / 1550 Premium/Pro	Orca 1850 / 2150 Start/Basic	Orca 1850 / 2150 Premium/Pro
A	4144	4344	5144	5344
A1	2000	2000	3000	3000
A2	1091	1091	1091	1091
A3	149	149	149	149
B	2382	2382	2682	2682
B1	2030	2030	2330	2330
C	1020	1020	1120	1120
C1	775	775	875	875
D	500	500	500	500
Power supply	25A 380V AC (3P+N+PE)	25A 380V AC (3P+N+PE)	25A 380V AC (3P+N+PE)	25A 380V AC (3P+N+PE)
Suction hose	Ø 100 (I.D.) POS 1	Ø 160 (I.D.) POS 2	Ø 100 (I.D.) POS 1	Ø 160 (I.D.) POS 2





Our Mission

Through combining experience and craftsmanship with service and development, we strive for an optimal working environment in which safety, ergonomics and health come first. The robust nature and the long service life of our machines characterize our passion for technology. Our core business is the delivery of standard sawing solutions in the wood industry.

Our company

The company was founded in Helmond in 1960 and has been operational there for 63 years. Since 2024 Harwi produces its sustainable sawing machines in Deurne. Our specialization and expertise in the wood industry in particular has been ensuring satisfied customers for years. Providing innovative sawing solutions within the Netherlands and abroad is the foundation of our organization. Within this foundation we prioritize user friendliness and quality.

For all of our machines and capabilities, visit
www.harwi.nl

Harwi Holland BV

Jan Tooropstraat 16
5753 DK Deurne
Netherlands

T +31 (0)492 54 33 55
sales@harwi.nl
www.harwi.nl

