

SUNNEX HF 50W/75W HALOGEN

Sunnex HF is a powerful and stable machine light well suited for use in industries where cutting fluids, oils and moisture are present. Sunnex HF is fitted with Sunnex's classic flexible arm which is of extremely high quality. The lamp head is made of impact-resistant thermo-setting plastic, and an easy-to-grip handle means that the light shade is simple to adjust.

Sunnex HF is available with a 500 or 700 mm flexible arm, as well as in a spot version or with AAS arm with a reach of 1000 mm or 1250 mm. Examples of applications include spot lighting for external and internal placement in and on machine tools.

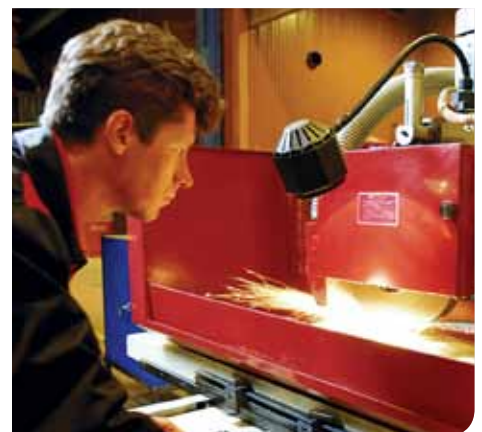
Sunnex HF Flex comes with either an integral transformer or in a low-voltage version for direct connection to machinery, and is available sealed to safety class IP20 or IP65. Available with a magnetic base, C-clamp, wall bracket or desktop base as mounting accessories.

Applications

- Workshop Machinery
- Machine tools
- Manufacturing Machinery
- Assembly Stations
- Point Lighting

Benefits

- Withstands really tough environments
- Flexible arm for precise control
- Available with articulated arm system (AAS)
- Protection class IP20 or IP65
- Various brackets available

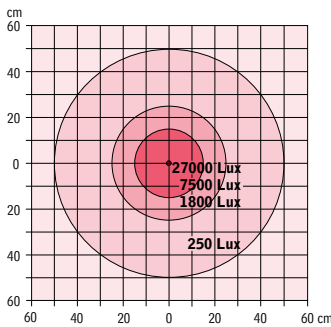




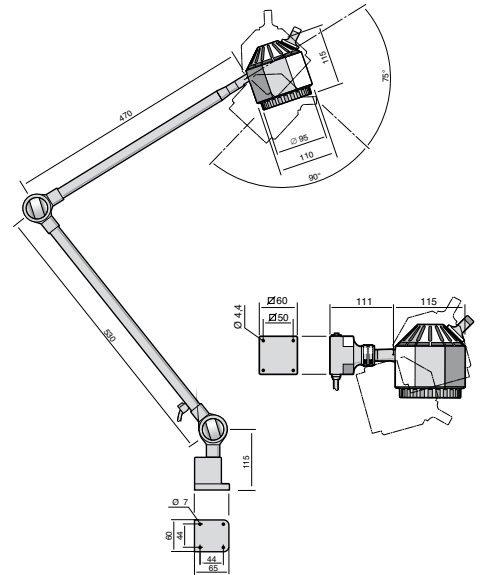
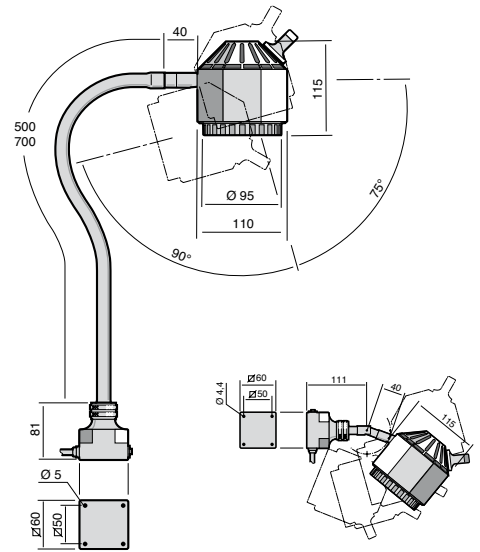
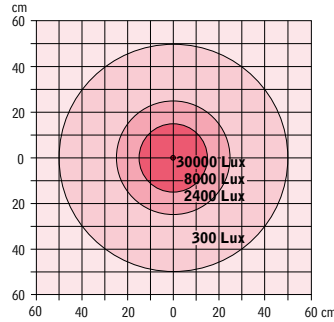
Technical Specifications

Supply voltage	230V/12V, 12V, 24V
Light source	Halogen 12V/24V/50W,75W
Lifetime, light source	Approx 2 000 h
Lamp head	With or without joint
Lens	Clear
Arm Length	500 or 700 mm
Colour	Black
Colour temperature	3000K
IP-rating	IP20 or IP65
Protection Class	Class II
Power switch	Placed in the base
Base	Equipped with four mounting holes
Colour rendering index	Ra 100
Cable length	2 m

Lux rating 50W - 0,5 m distance



Lux rating 75W - 0,5 m distance



Mounting Accessories



Magnetic base
12010



Table base
14015



C-Clamp
14020



Wall mount
14030

More info about
Accessories
see separate leaflet
www.sunnex.se



HF - FLEX 50W

Arm	Connection	Other	Art. no.
500 mm	230V		12420E
		Joint	12430E
	12V		12420
		IP65	12420IP65
	24V	Joint	12430
		IP65	12620
700 mm	230V		12440E
		Joint	12450E
	12V		12440
		IP65	12440IP65
	24V	Joint	12450
		IP65	12640
	230V		12620IP65
		Joint	12630
	12V		12640IP65
		Joint	12650
	24V		12640IP65
		Joint	12650

HF - FLEX 75W

Arm	Connection	Other	Art. no.
500 mm	12V		12520
		IP65	12520IP65
	24V	Joint	12530
		IP65	12720
			12720IP65
		Joint	12730
700 mm	12V		12540
		IP65	12540IP65
	24V	Joint	12550
		IP65	12740
			12740IP65
		Joint	12750

HF - SPOT 50W

Joint	Connection	Art. no.
Single	230V	12460E
	12V	12460
	24V	12660
Double	230V	12462E
	12V	12462
	24V	12662

HF - SPOT 75W

Joint	Connection	Art. no.
Single	12V	12560
	24V	12760
Double	12V	12562
	24V	12762

HF - AAS 50W

Arm	Connection	Other	Art. no.
1000 mm	12V		12920
		IP65	12920IP65
	24V		12922
1250 mm	12V	IP65	12922IP65
			12924
	24V	IP65	12924IP65
	24V		12926
		IP65	12926IP65

HF - AAS 75W

Arm	Connection	Other	Art. no.
1000 mm	12V		12921
		IP65	12921IP65
	24V		12923
1250 mm	12V	IP65	12923IP65
			12925
	24V	IP65	12925IP65
	24V		12927
		IP65	12927IP65