

# RAVAS Ergo-truck

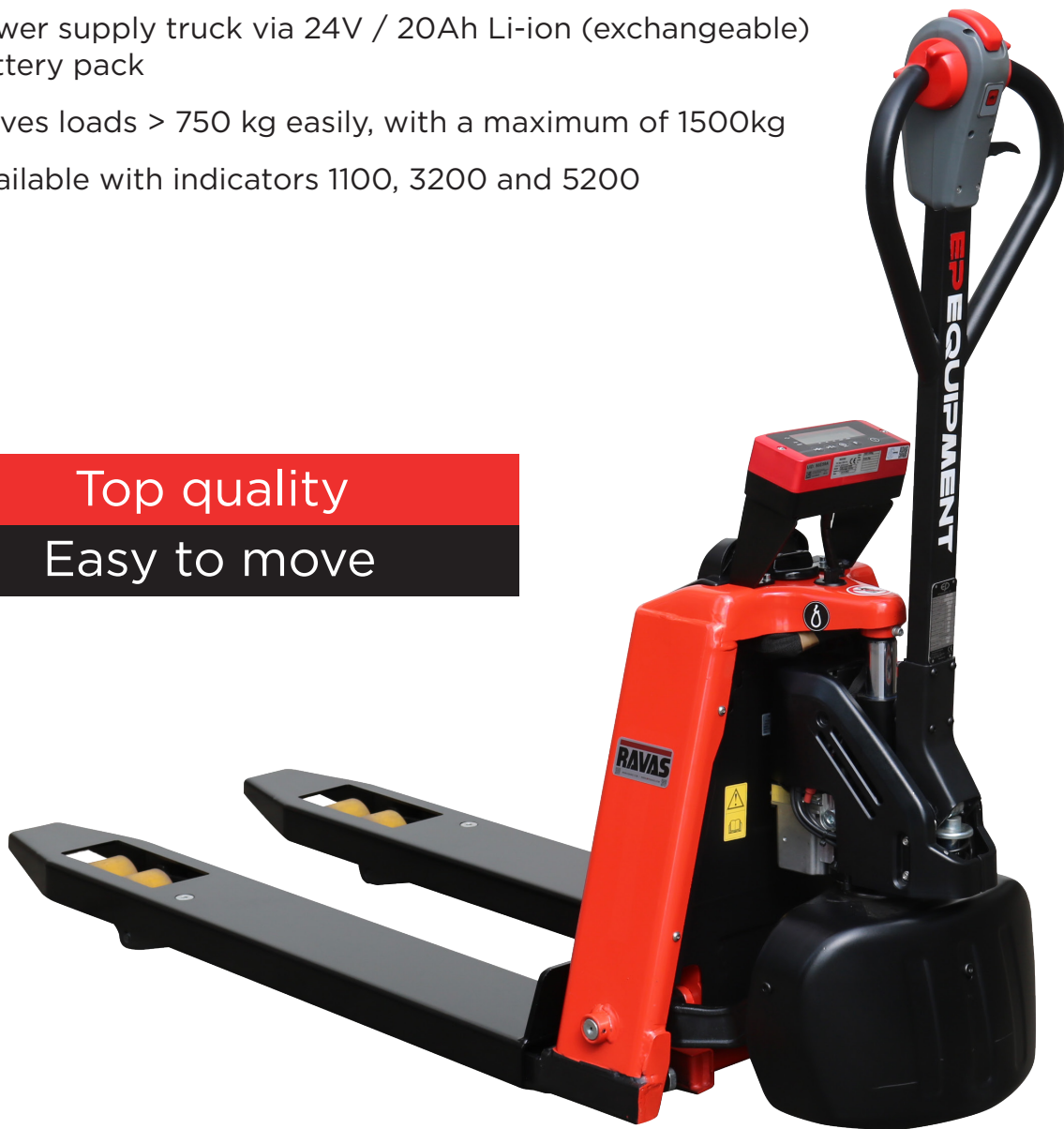
Hand pallet truck with electric power drive

## BENEFITS

- Mobile-Scale truck with electric power drive
- Electric lifting
- High accuracy scale functionalities
- Combines weighing and moving in one truck
- Power supply truck via 24V / 20Ah Li-ion (exchangeable) battery pack
- Moves loads > 750 kg easily, with a maximum of 1500kg
- Available with indicators 1100, 3200 and 5200

Top quality

Easy to move



# RAVAS

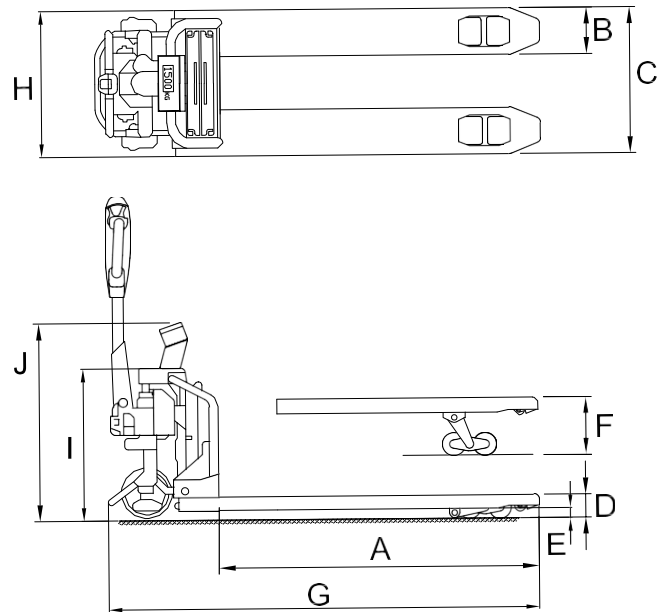
## STANDARD SCALE SPECIFICATIONS

- Capacity 1.500 kg
- Graduation multirange  
0,5 kg till 500 kg  
1 kg till 1.500 kg
- System tolerance 0,1 % of applied load
- Display LCD dual color, digit height  
20 mm, backlight
- Power consumption 12V - 34mA
- Power supply via truck battery incl. power  
convertor/regulator
- Keys 5 function keys, on/off key
- Protection class IP65
- Dimensions excl. bracket L x B x H = 60 x 77 x 182 mm

## STANDARD TRUCK SPECIFICATIONS

- Li-ion battery 24V / 20Ah, incl. separate charger
- Autonomy battery up to 3 hours working at one charge, depending on work and environmental conditions
- Extended autonomy by battery pack exchange system (additional battery optional)
- Driving PU wheel 210 x 70 mm
- Dual loading PU wheels 80 x 60 mm (74 x 88)
- Driving motor 0,75 kW
- Lifting motor 0,70 kW
- Lifting speed (loading/unloading) 0,017-0,02 m/s
- Travel speed (loading/unloading) 4,5-5 km/h

## DIMENSIONS IN MM



A	Fork length	1145
B	Fork width	155
C	Width over forks	560
D	Lowered fork height	90
E	Ground clearance	35
F	Lifting height	110
G	Total truck length	1560
H	Truck width	560
I	Truck height	490
J	Height center display	765
	Own weight (kg)	140

Tolerance +/- 2 mm

\*Maximum capacity specified at load center point 600 mm



## OPTIONS\*

- Indicator types 1100, 3200 and 5200
- RAM indicator mounting support
- Legal for trade version OIML III
- Thermal or matrix printer 12V
- Bluetooth or WiFi data transfer
- Additional battery pack for extended autonomy
- RDC, RAVAS Data Collector Software
- RIS, RAVAS Integration Software

### RAVAS Europe B.V.

Veilingweg 17, 5301 KM Zaltbommel, The Netherlands

T: +31 418 515220 E: salesoffice@ravas.com

WWW.RAVAS.COM

# RAVAS