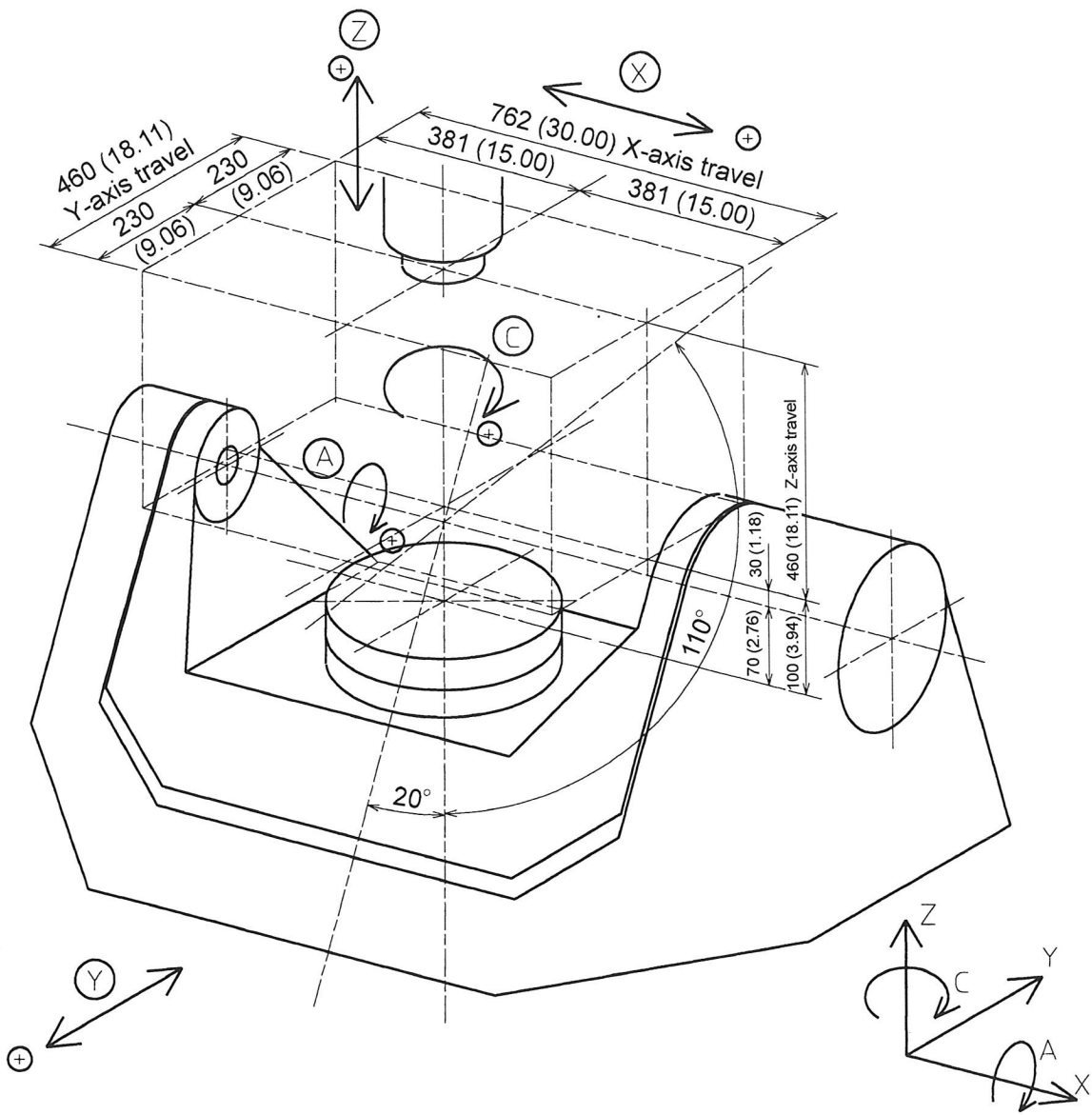


<Working Ranges>  
 X-axis: 762 mm (30 in.)  
 Y-axis: 460 mm (18.11 in.)  
 Z-axis: 460 mm (18.11 in.)  
 A-axis: +20 to -110°  
 C-axis: 360°



Unit: mm (in.)