

"You Teach Me" robot

The MotoTraining station for teaching and demo.



Controlled by
YRC1000

The MotoTraining station is a complete arrangement for training and demonstrating a MOTOMAN robot. The station has a table top with a magnetic whiteboard surface which you can use e.g. to mark positions for your training program. When folded up it can pass through a regular doorway. It is also easy to push into place and connect to a three phase 400V AC outlet.

When approaching the station the scanner under the table will first make the robot enter slow speed, and nearer to the station the robot stops completely.

Our "You Teach Me" robot is ideal for introducing the MOTOMAN robot and its programming to students and robot operators.

Key benefits

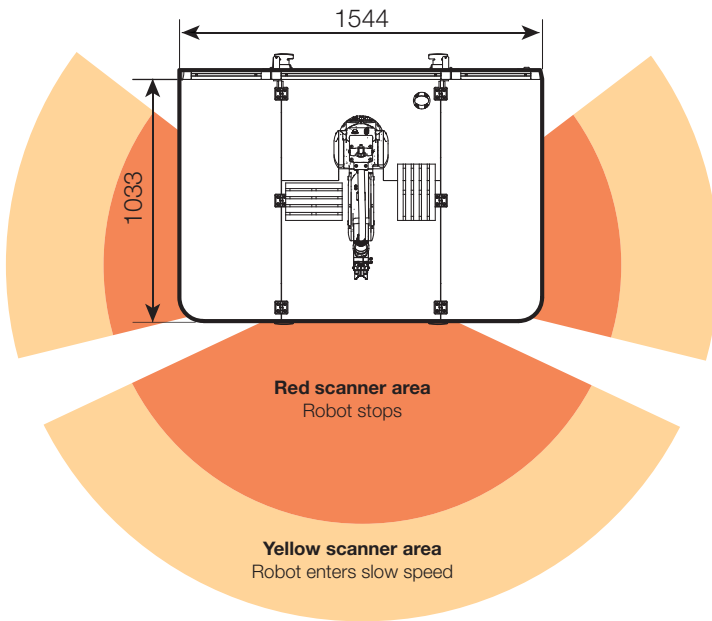
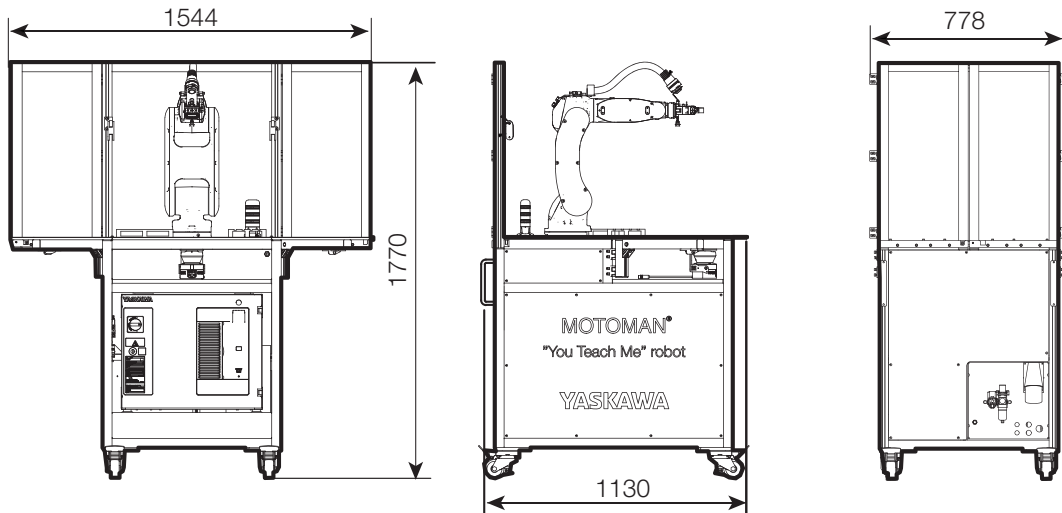
- Easy to operate.
- Short delivery times.
- Small size suitable for an office or class room.

Scope of delivery

- MOTOMAN-GP8 robot with YRC1000 controller.
- Gripper tool, miniature pallets and blocks.
- Small compressor 6 bar with 230V cable.
- CEE socket for 400V.
- Complete station on wheels.
- Light beacon and scanner.

Option

- Connection to 230V instead of 400V.



All dimensions are for reference only.
Request detailed drawings for design/engineering requirements



Technical data	MotoTraining
Dimensions (HxWxD)	177x154x113 cm
Dimensions during transport (HxWxD)	177x78x113 cm
Weight	310 kg
Standard connection (400V, 3 phase)	Part No. 143933-100
230V option	Part No. 143933-101

Technical data	MOTOMAN-GP8
Articulated axes	6
Payload	8 kg
Reach	727 mm
Repeatability	± 0.02 mm
Weight	32 kg

YASKAWA



YASKAWA Nordic AB
PO Box 504
SE-385 25 Torsås, SWEDEN