

Digital indicators

S_Dial WORK

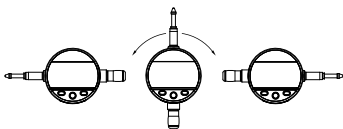
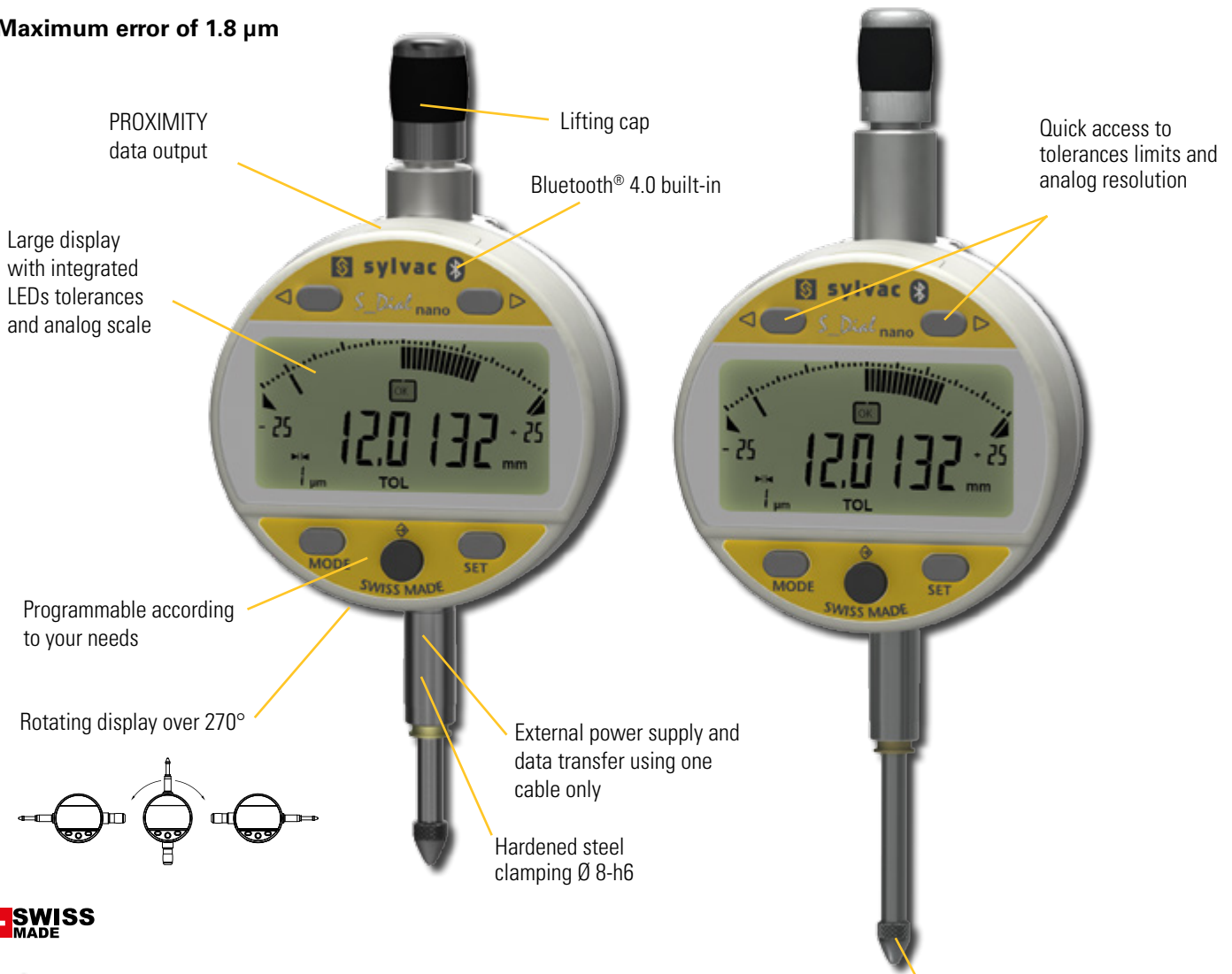
DESCRIPTION

ANALOG NANO BLUETOOTH®

- **Integrated Bluetooth® data transmission**
- Adaptive analog display (up to 0.1 µm per segment)
- **0,1 µm resolution**
- Robust construction
- Water and coolant resistant
- New technology with configurable menus
- **Broad choice of functions (MIN/MAX/DELTA, TOL, Factor, PRESET, AUTO OFF, etc.)**
- Automatic wake-up and sleeping mode (S.I.S system), **absolute System***
- **Maximum error of 1.8 µm**



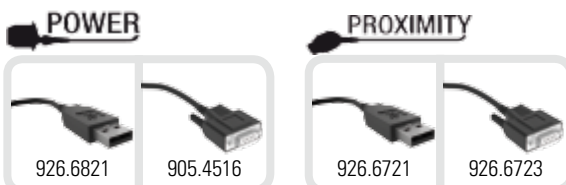
B



SWISS MADE

SIS Smart Inductive System

WATER RESISTANT



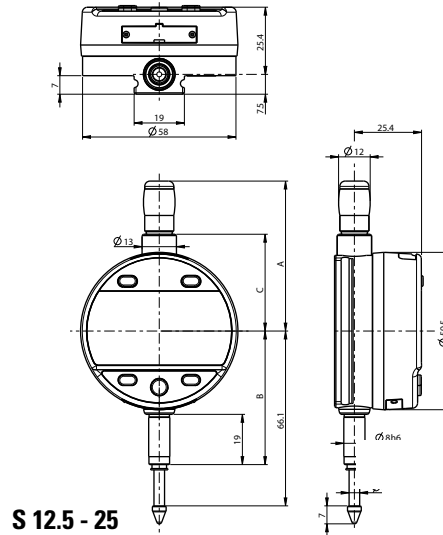
* SIS description on page 5

Digital indicators

S_Dial WORK

DIMENSIONAL DRAWINGS

ANALOG NANO BLUETOOTH®



TECHNICAL SPECIFICATIONS

		805.6307	805.6507
Measuring range	mm	12.5	25
Resolution	mm	0.0001	
Max. Error fe	µm	1.8	2.2
Repeatability	µm	0.5	
IP rating		IP54	
A	mm	56.6	69.3
B	mm	66.1	79
C	mm	36.6	49.4
S_Connect : Proximity / Power		USB / RS232 / BLUETOOTH® 4.0*	
Programmable by PC		●	
Standard functions (customized by PC)		mm/inch, preset (max 99.9999 or 999.999) min/max/delta, tolerances, resolution, direction of measurement, multiplication factor, automatic or manual switch off, key lock	

*** Up to 8 instruments connected per dongle #981.7100**
More informations on How to use Bluetooth® leaflet SYL_1401_EN_BT

BASIC INSTRUMENT

MEASURING FORCE

		S 12.5	S 25
• Instrument according to technical specifications			
• Lithium battery CR2032 included			
• Instruction manual			
• Calibration certificate			
Standard	N	0.65 - 0.90	0.65 - 1.15
Low ²⁾	N	0.4 - 0.55	0.45 - 0.9
High ²⁾	N	1.0 - 1.6	0.9 - 1.8

Tolerance ± 20%, spindle in outgoing measurement position.
²⁾ on request