



MAKE WORK FLOW

INLINE

- AN INTEGRATED PART OF THE LINE -



SIMPLE



FLEXIBLE



RELIABLE

PALOMAT – YOUR GUARANTEE FOR TOP QUALITY...

MORE THAN 20 YEARS OF EXPERIENCE IN PALLET HANDLING

PALOMAT is the world-leading manufacturer of pallet dispensers. Since the first PALOMAT was produced in 1992, we have remained at the forefront with innovative solutions for the work environment and automation.

An ingenious product has made us the preferred supplier of pallet dispensers with numerous domestic and international corporations.

Building on more than 20 years in the market, we have gained extensive experience and know-how for custom-designed solutions – we are happy to offer valuable advice to our customers with the right solution and optimum placement of the PALOMAT in their production settings.

We place very high demands on our pallet dispensers, which are 100% manufactured in Denmark. Development and production are exclusively carried out at our factory in Nykøbing Mors, Denmark. We rely only on well-known component suppliers.

PALOMAT Inline has been sold since 2003. PALOMAT Inline is a rugged, highly reliable pallet dispenser for automatic stacking and destacking of empty pallets in settings with automated manufacturing facilities and production lines.

The PALOMAT Inline is supplied as a complete machine component and meets all the applicable requirements in the Machine Directive.

Why outsource to PALOMAT?

- We have more than 20 years of experience in producing pallet dispensers
- We possess extensive know-how both in design and construction
- You save on development and construction time
- You achieve cost efficiency
- You receive a complete, flexible and thoroughly tested machine component
- PALOMAT Inline easily integrates with your other production facilities
- You invest in a top quality product at a competitive price

It is this simple...

To ensure a PALOMAT Inline optimally geared for your production line, we offer expert advice from initial inquiry to final integration. Our starting point is close cooperation between Sales, Design and the Customer.



Inquiry/order



Design



Production



Integration



MAKE WORK FLOW

Learn more about PALOMAT Inline at www.palomat.com

CUSTOM SOLUTIONS...

IS A MATTER OF COURSE

The PALOMAT Inline can be installed over any type of conveyor, it can handle all types of 4-way pallets and can be adapted for any pallet orientation, conveyor width and conveyor height. It can even be built to handle different pallet sizes in the same pallet dispenser using one or two adjustable sides.

As standard, the PALOMAT Inline handles 15-20 pallets/ max. 800 kg.

The PALOMAT Inline is a pneumatic pallet dispenser,

supplied fully prepared with a terminal box for external control.

All internal parts of the PALOMAT have been electro-galvanized to offer a highly wear-resistant surface.

As standard, the PALOMAT Inline is supplied in colour RAL 7035 grey. Optionally, the PALOMAT can be ordered in different colours, stainless steel or electro-galvanized.

The numerous surface coating options enable placement of the PALOMAT in any production setting and in various industries, e.g. in wet environments.



Different pallet widths
- Adaptation of the back plate



Different pallet lengths
- Adaptation of the sides

Added safety
- Safety frame



Different pallet sizes in the same magazine
- Adjustable side



Numerous colours and surface coatings



Any conveyor height/width
- Adaptation of legs



Different pallet types
- Adaptation of grippers



Different pallet heights
- Adaptation of skirting



TECHNICAL DATA

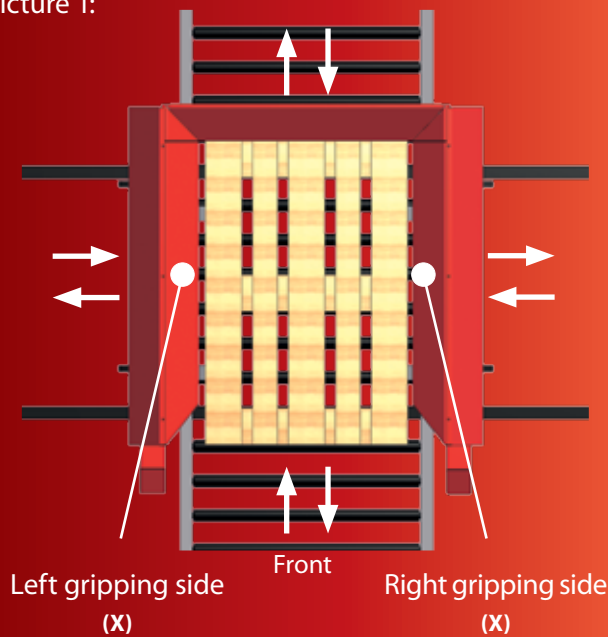
The PALOMAT Inline is prepared with a terminal box for external control. The PALOMAT is delivered as a complete machine component; it is the responsibility of the integrating company to ensure it is installed and CE-marked according to the EU Machine Directive 2006/42/EF.

Supplied with:

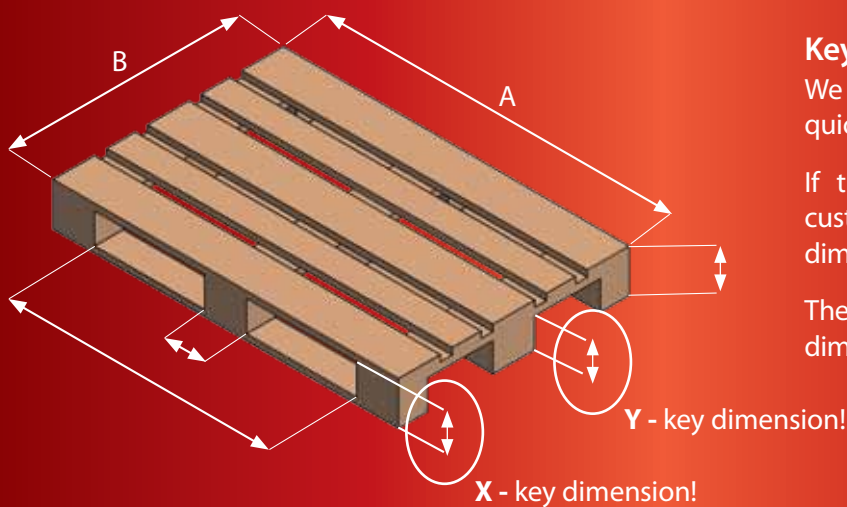
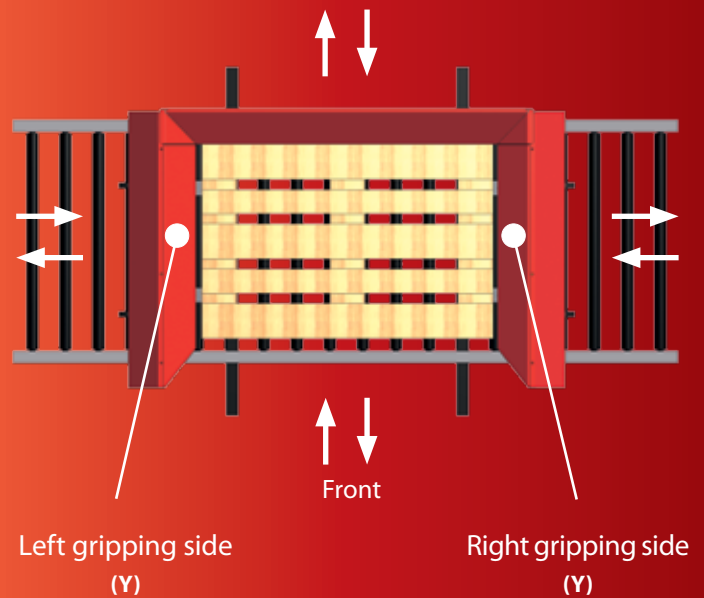
- Two photo sensors connected to a terminal block
- SMC pneumatics
- Technical documentation including statement of incorporation
- Sequence diagram for programming

Using the PALOMAT Inline, it is possible to handle all types of 4-way pallets. Additionally we can design the pallet dispenser for any pallet orientation, conveyor width and conveyor height:

Picture 1:



Picture 2:



Key dimensions for special pallets:

We endeavour to respond to your inquiry quickly and correctly.

If the PALOMAT Inline will need to handle customer pallets, it is important that all pallet dimensions are included in the inquiry.

The figure on the left shows the required dimensions.

www

or



If there is any doubt about what information we need to respond to your inquiry:

Simply fill in the easy-to-use inquiry chart and pallet drawing on our website and submit it online.

Call us on +45 96 69 47 11 or send e-mail to: info@palomat.com



MAKE WORK FLOW

Learn more about PALOMAT Inline at www.palomat.com