

T2018

Surface and conveyor belt disinfection system

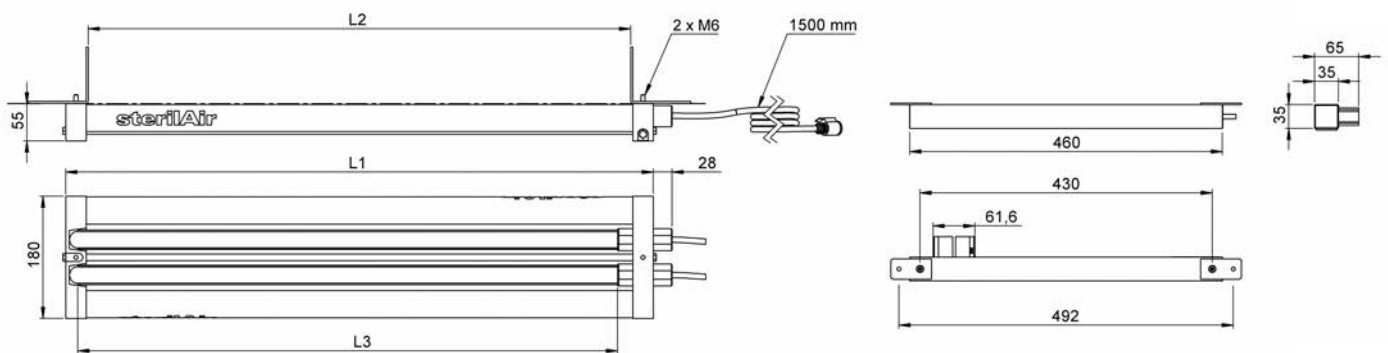
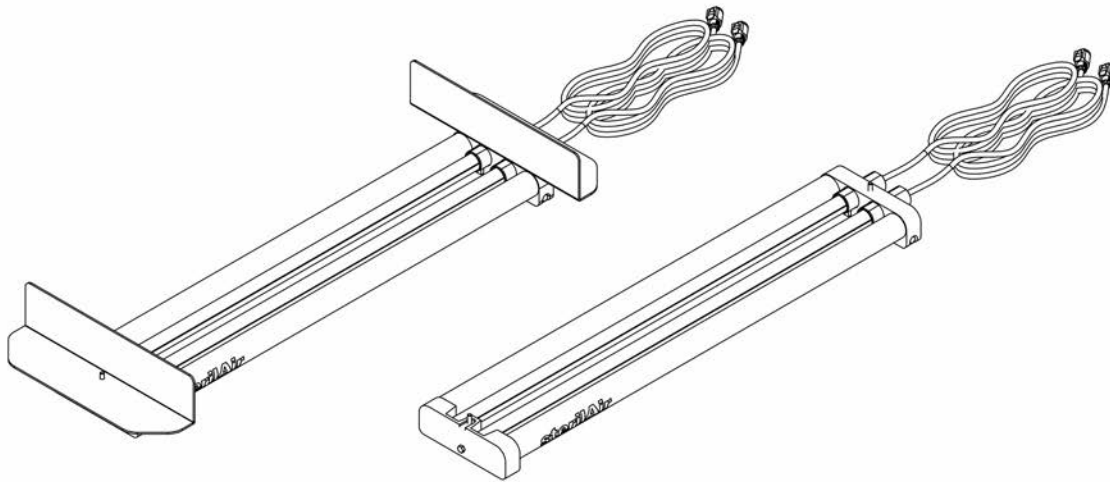


- With FDA conform glas shatter protection
- Resistant housing, IP69K
- Maximum functional safety
- Low heat emission

Product designation	T2018-30	T2018-36
Power consumption	80 W, 350 mA	80 W, 350 mA
Supply voltage	230 V _{AC} ±4%, 50..60 Hz	230 V _{AC} ±4%, 50..60 Hz
UV tube type	2 x T18-30	2 x T18-36
Total output, UVC _{254nm}	20W	30 W
UV tube replacement interval	12'000 hours (75% ±5% residual capacity)	12'000 hours (75% ±5% residual capacity)
Tube cable length	1.5 m	1.5 m
Material	Stainless steel (1.4301, 1.4404), PTFE, POM	Stainless steel (1.4301, 1.4404), PTFE, POM
Classification	CE, EMC, HACCP, FDA	CE, EMC, HACCP, FDA
IP protection	IP69K	IP69K

T2018

Surface and conveyor belt disinfection system



Product designation

T2018-30

T2018-36

Length L1	608 mm	865 mm
Length L2	542 mm	799 mm
Length L3	538 mm	795 mm
Weight per unit w/o mounting and ballast	4.0 kg	5.0 kg