



4 connection ports **Hose** **R thread** **NPT thread** **G thread**
DC48V canned motor centrifugal pumps

Small canned motor centrifugal pumps NRD series powered by brushless DC motors has a new lineup with the high flow rate NRD-40 / 40X added. The elimination of the converter contributes to simplification and cost reduction of components. Suitable for refrigerant circulation applications of various cooling devices because of low noise and space saving.

Compact and lightweight with a seal-less structure

The pumps with a canned motor offer compactness and light weight. Compared with conventional magnetic drive pumps, they require minimal space for installation. Select the best connection for your plumbing system from Hose, R thread, NPT thread and G thread. Seal-less structure eliminates wear leakage and other problems involved with seal replacement. (US Patent 6, 604, 917)

Long life design

Use of a DC brushless motor eliminates concerns over brush abrasion, ensuring a service life comparable to an AC motor.

Safety voltage

The NRD series power voltage is classified as safety voltage (50V or less), which allow the user to easily comply with international standards such as UL, CSA, CE and GS.

DC power system

The DC power system overcomes installation limits for voltage and frequency of each area.

Flow rate adjustment

Flow rate can be adjusted by means of an external signal of 1-5VDC.

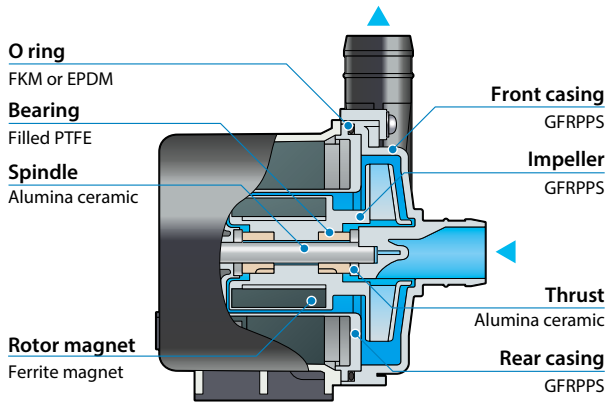
Built-in drive circuit

A drive circuit is fitted as standard inside the pump. Connect power to the pump and provide an external signal to start operation.

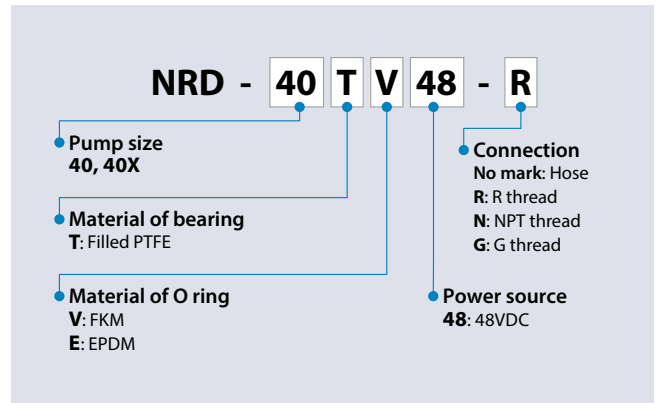
High temperature resistance

The pump can handle hot liquids up to 80°C.

Construction and Wet-end materials



Pump identification

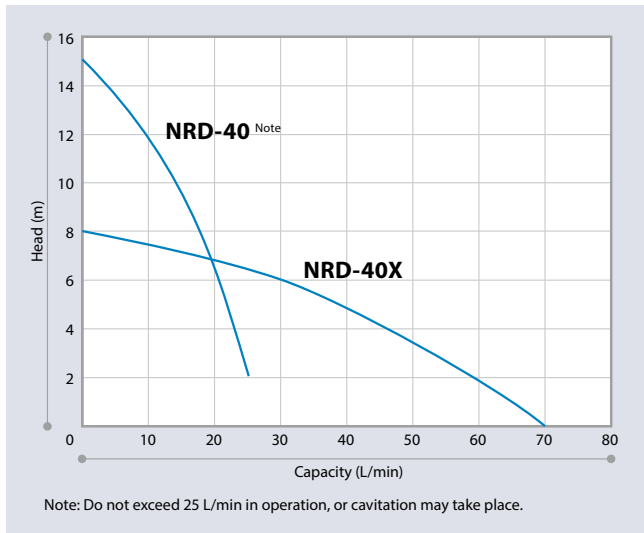


Specifications

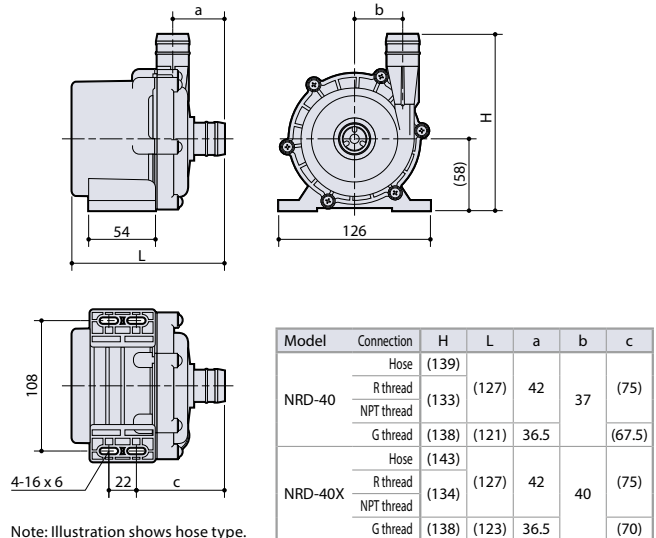
Model	Connection (Outer diameterØ) mm		Max. discharge capacity L/min	Max. head m	Noise ^{Note} dB	Max. SG	Motor		Mass kg
	IN	OUT					Output	Power source	
NRD-40	Hose	27	21	25	up to 55	1.07	85W	DC48V	1.5
	R thread	R1	R1/2						
	NPT thread	NPT1	NPT1/2						
	G thread	G1 · 1/2	G1 · 1/4						
NRD-40X	Hose	27	27	70	up to 55	1.07	72W	DC48V	1.5
	R thread	R1	R3/4						
	NPT thread	NPT1	NPT3/4						
	G thread	G1 · 1/2	G1 · 1/2						

Note: The noise measurement conditions are the front of the pump, A scale, and 1 m.
 • The data is collected from operation with clear water at room temperature.
 • The maximum capacity is obtained based on the presumption that delivery head is at 0 m. The maximum head is obtained based on the presumption that discharge capacity is at 0 L/min.
 • The maximum viscosity is 1 mPa·s when the maximum specific gravity is 1.07.
 • Operating condition Ambient temperature: 0 - 50°C, Liquid temperature: 0 - 80°C, Ambient humidity: 35 - 90%RH

Performance curves



Dimensions (mm)



IWAKI CO., LTD. 6-6 Kanda-Sudacho 2-chome Chiyoda-ku Tokyo 101-8558 Japan TEL : (81)3 3254 2935 FAX : 3 3252 8892 IWAKI has global net work. Please find your distributor location at www.iwakupumps.jp

Europe office : IWAKI Europe GmbH Germany : IWAKI Europe GmbH Holland : IWAKI Europe GmbH (Netherlands Branch) Italy : IWAKI Europe GmbH (Italy Branch) Spain : IWAKI Europe GmbH (Spain Branch) Belgium : IWAKI Belgium N.V. Denmark : IWAKI Nordic A/S Finland : IWAKI Suomi Oy France : IWAKI France S.A. Norway : IWAKI Norge AS Sweden : IWAKI Sverige AB	TEL: (49)2154 9254 0 TEL: (49)2154 9254 50 TEL: (31)74 2420011 TEL: (39)0444 371115 TEL: (34)93 37 70 198 TEL: (32)13 67 02 00 TEL: (358)9 2745810 TEL: (45)48 24 2345 TEL: (32)13 67 02 00 TEL: (33)1 69 63 33 70 TEL: (47)23 38 49 00 TEL: (46)8 511 72900	FAX: 2154 9254 48 FAX: 2154 9254 55 FAX: (49)2154 925448 FAX: 0444 335350 FAX: 93 47 40 991 FAX: 13 67 20 30 FAX: 1 64 49 92 73	U.S.A. : IWAKI America Inc. Argentina : IWAKI America Inc. (Argentina Branch) Brasil : IWAKI Do Brasil Comercio De Bombas Hidraulicas LTDA. Singapore : IWAKI Singapore Pte Ltd. Indonesia : IWAKI Singapore (Indonesia Office) Malaysia : IWAKI Kim Sdn. Bhd. Australia : IWAKI Pumps Australia Pty Ltd. Hong Kong : IWAKI Pumps Co., Ltd. China : GFTZ IWAKI Engineering & Trading Co., Ltd. : IWAKI Pumps (Shanghai) Co., Ltd. Korea : IWAKI Korea Co., Ltd. Taiwan : IWAKI Pumps Taiwan Co., Ltd. Thailand : IWAKI (Thailand) Co., Ltd.	TEL: (1)508 429 1440 TEL: (54)11 4745 4116 TEL: (55)19 3244 5900 TEL: (65)6316 2028 TEL: (62)21 6906606 TEL: (60)3 7803 8807 TEL: (61)2 9899 2411 TEL: (852)2607 1168 TEL: (86)20 84350603 TEL: (86)21 6272 7502 TEL: (82)2 2630 4800 TEL: (886)2 8227 6900 TEL: (66)2 322 2471	FAX: 508 429 1386 FAX: 19 3244 5900 FAX: 6316 3221 FAX: 21 6906612 FAX: 3 7803 4800 FAX: 2 9899 2421 FAX: 2607 1000 FAX: 20 84359181 FAX: 21 6272 6929 FAX: 2 2630 4801 FAX: 2 8227 6818 FAX: 2 322 2477
--	---	---	---	---	---

Caution for safety use: Before use of pump, read instruction manual carefully to use the product correctly. Actual pumps may differ from the photos. Specifications and dimensions are subject to change without prior notice. For further details please contact us.

Legal attention related to export. Our products and/or parts of products fall in the category of goods contained in control list of international regime for export control. Please be reminded that export license could be required when products are exported due to export control regulations of countries. The posting and copying from this catalogue without permission is not accepted firmly.