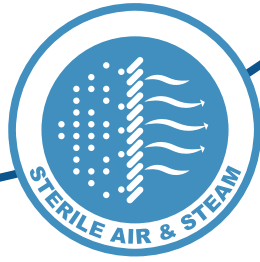


  
**ULTRAFILTER**  
THE FILTRATION MANUFACTURER  
THE SCANDINAVIAN FILTRATION PARTNER



**ULTRAFILTER ACTIVATED CARBON TOWER**

**WWW.ULTRA-FILTER.COM**

# ACTIVATED CARBON TOWER

Ultra-Sorp AKC



## Technical Data

- 4 to 16 bar
- Max. 50°C
- 50 - 9500 m<sup>3</sup>/h
- 0005 - 1000: BSP  
1400 - 9500: DIN 2633

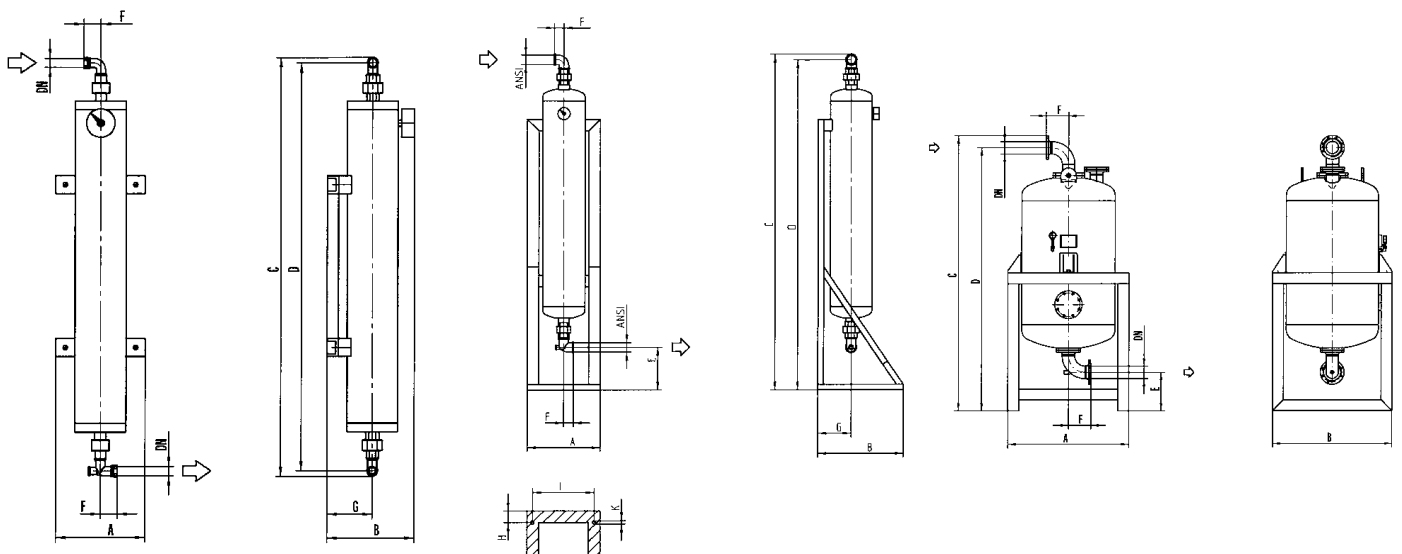
## Features & Benefits

- Operating lifetime: 8000 hours
- Residual oil content: < 0,003 ppm
- Recommended prefilter: SMF

The activated carbon adsorber is designed to ensure oil- and odourfree compressed air.

Compressed air is lead through an activated carbon bed and ensures a residual oil content of < 0,003 ppm.

The residual oil ontent depends on the inlet conditions. A residual oil content of < 0,003 ppm is related to an operating pressure of 7 bar (g), 35°C inlet temperature, and pre-dried compressed air with a dewpoint of -40°C, as well as a prefiltration of particles < 0,03 mg/m3.



# ACTIVATED CARBON TOWER

Ultra-Sorp AKC



Model	Flow m <sup>3</sup> /h	Connection in/out	Dimensions (mm)			Weight
			Height	Width	Depth	
AKC 0050	50	3/4"	320	350	1200	35
AKC 0080	80	3/4"	320	350	1550	45
AKC 0100	100	1"	320	350	1500	60
AKC 0150	150	1"	440	450	1850	75
AKC 0175	175	1"	440	450	1760	95
AKC 0225	225	1 1/2"	440	450	1760	95
AKC 0300	300	1 1/2"	440	450	1750	125
AKC 0375	375	1 1/2"	550	600	2050	160
AKC 0550	550	2"	550	600	2000	200
AKC 0650	650	2"	550	600	2010	250
AKC 0850	850	2"	750	600	2020	280
AKC 1000	1000	2"	750	600	2060	320
AKC 1400	1400	DN 80	710	700	2420	390
AKC 1700	1700	DN 80	810	700	2460	535
AKC 2000	2000	DN 80	870	700	2500	630
AKC 2500	2500	DN 100	920	700	2580	675
AKC 3000	3000	DN 100	1020	1000	2710	890
AKC 3500	3500	DN 100	1070	1000	2710	1010
AKC 4000	4000	DN 150	1170	1000	2870	1215
AKC 5000	5000	DN 150	1230	1000	2960	1365
AKC 6000	6000	DN 150	1340	1400	2960	1555
AKC 7000	7000	DN 150	1440	1400	3080	1850
AKC 8200	8200	DN 150	1540	1400	2990	2050
AKC 9500	9500	DN 200	1680	1400	3290	3290

Correction factor:

Operating pressure	bar	4	5	6	7	8	9	10	11	12	13	14	15	16
Correction factor	K1	0,63	0,75	0,88	1,00	1,10	1,20	1,35	1,44	1,50	1,60	1,75	1,86	2,00
Inlet temperature	°C	35	40	45	50									
Correction factor	K2	0,80	1,00	1,25	1,50									



# ULTRAFILTER

THE FILTRATION MANUFACTURER

THE SCANDINAVIAN FILTRATION PARTNER

## SHOP ONLINE

At [www.ultra-filter.com](http://www.ultra-filter.com) you will find a wide selection of filtration products ready for you to order.



[www.ultra-filter.com](http://www.ultra-filter.com)

## ABOUT US

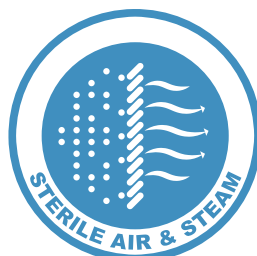
Ultrafilter Scandinavia offers a wide selection of filtration products for compressed air, liquids and gas. We have stock in Denmark and from here we distribute all of our products to Scandinavia and the Baltic countries.

Ultrafilter Scandinavia is a part of the Ultrafilter group. Our production facility is in Germany and we have several subsidiaries in Europe and the United States.

You can buy our products on local websites. Information about our products as well as brochures and manuals can be found on our website ([www.ultra-filter.com](http://www.ultra-filter.com)).

We can adapt all of our filtration products to your needs, and we offer visits from our consultants in order to find the right solution for you. We also offer on going service on our products once they are installed.

## FILTRATION OF



# ULTRAFILTER SKANDINAVIEN APS

Sunekær 1  
5471 Søndersø  
Denmark

+45 82 30 30 20  
[info@ultra-filter.com](mailto:info@ultra-filter.com)  
[www.ultra-filter.com](http://www.ultra-filter.com)