

KUBOTA COMPACT TELEHANDLER KTH4815-2

For Earth, For Life

Kubota



Engine output:
50 HP / 36 kW



Machine weight:
2950 kg

Standard equipment

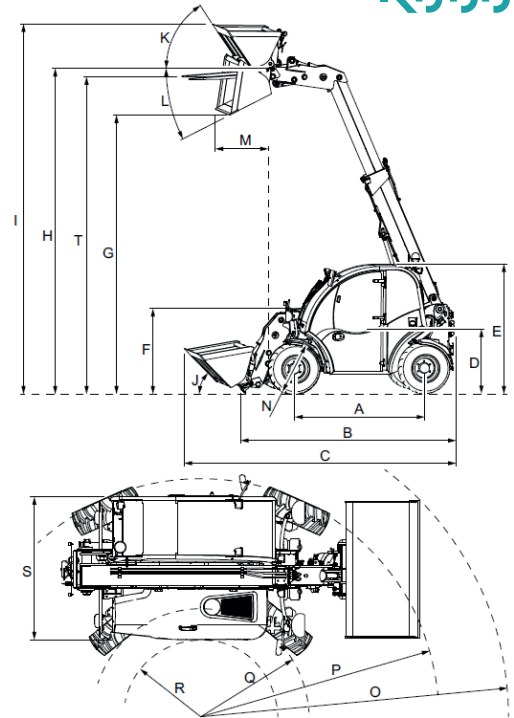
- Kubota Engine D1803 Stage V (CR - DOC - DPF)
- Tyres 10.00/75-15.3 AS (Total width 160 cm)
- Hydrostatic Transmission 4 wheel drive with automotive control
- 8 ton axles, heavy planetary end drive
- Four-wheel steering
- Electric shuttle on joystick
- Telescopic arm and tilt controlled by joystick
- Double acting mechanical auxiliary circuit AUX1
- Hose rupture protection
- ROPS / FOPS safety roof, included front and right window, frontwiper
- Deluxe seat with safety belt, armrest and extended backrest
- Battery main switch
- Towing hook at the back
- Working light (halogen) front, on lifting arm
- Cyclone filter
- Oil Cooler
- Hydraulic quick coupler
- Disk brakes



Specifications

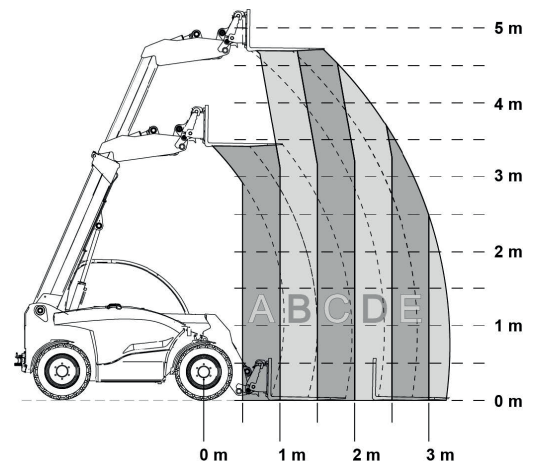
Model name		KTH4815-2	
Engine	Make	Kubota	
	Model	D1803 CR	
	Displacement	CC	1826
	Output	HP(kW)	50 (36)
Service weight		kg	2950
Tipping load		kg	See chart
Driving speed	1 st speed	km/h	0~10
	2 nd speed	km/h	0~28
Lifting capacity		kN	16
Auxiliary circuit	Oil flow	l/min	51
	Oil pressure	bar	230

For Earth, For Life



Dimensions

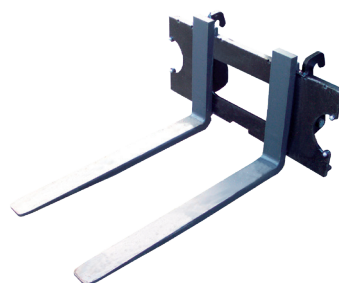
Model name		KTH4815-2	
A	Wheel base	mm	1950
B	Overall length	mm	3135
E	Overall height with cabin	mm	1970
S	Overall width	mm	1600
O	Turning radius with bucket	mm	3400
G	Max. dumping height	mm	4100
H	Max. bucket pin height	mm	4800
I	Height with bucket	mm	5500



Basic accessories



Earth bucket



Pallet fork

Tipping loads

	Standard version	With counterweight (option)
A	kg 2 490	2 870
B	kg 1 670	1 925
C	kg 1 255	1 445
D	kg 700	855
E	kg 585	710

Max. tipping load with protection



KUBOTA EUROPE S.A.S.

19 rue Jules Verceyusse
 Zone Industrielle - CS 50088
 95101 Argenteuil Cedex France
 Téléphone : (33) 01 34 26 34 34
 Télécopieur : (33) 01 34 26 34 99
 www.kubota-eu.com

★ All images shown are for brochure purposes only.