

### User friendly control panel

- emergency stop
- service indicator
- battery status display

### Hand control

Detachable for optimal ergonomic steering.

### SmartPack

Easily switch the battery pack to extend runtime through multiple shifts.

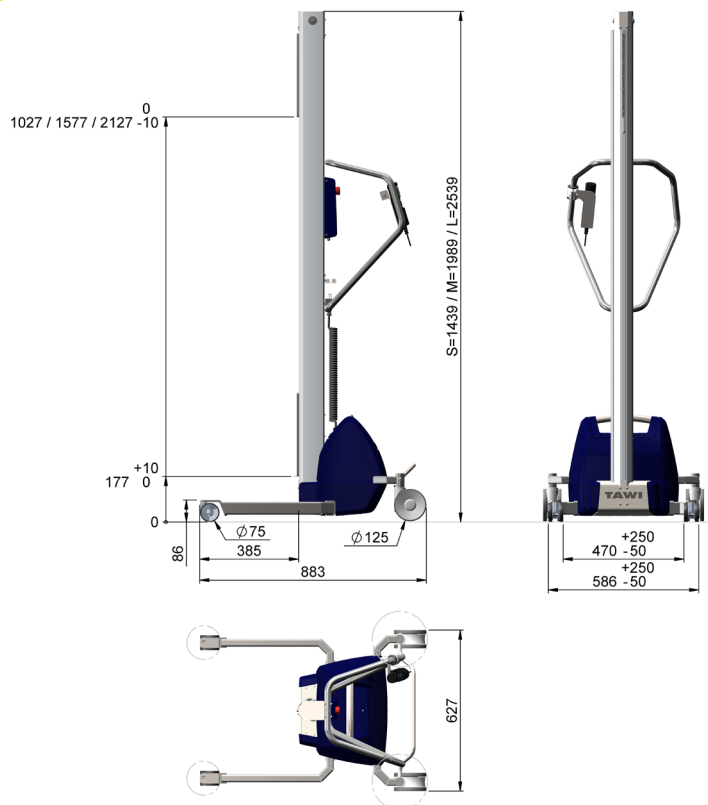
- Flexible solution for lifting and transporting everything from reels to boxes in an ergonomic and efficient manner.
- Available in three mast sizes; S, M and L.
- The lifter is available in stainless steel, equipped with a white FDA approved cover, ideal for food manufacturing and pharmaceutical industry
- SafeDrive ensures that if a tool hits an object during lowering, it will stop immediately.
- The lifter is belt driven, resulting in safe, quiet and smooth oil free drive.
- With our wide selection of tools and accessories, the PRO80 can be optimized for your needs. Standard tools and accessories are presented on the following pages.

[Call us!](#)

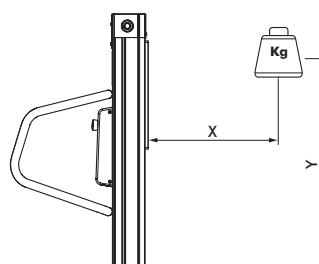
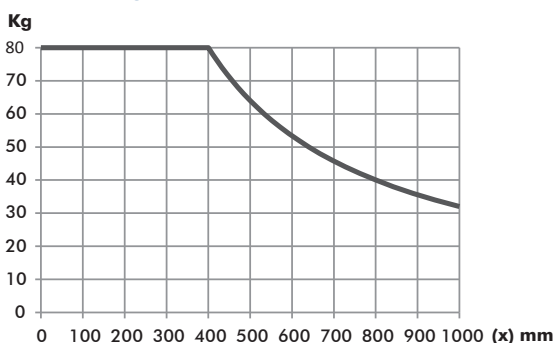
Contact your sales representative for bespoke solutions.

## Technical specifications

| Description                    | Specifications                      |
|--------------------------------|-------------------------------------|
| PRO80S / PRO80M / PRO80L       | 89200 / 89210 / 89220               |
| PRO80SSS / PRO80MSS / PRO80LSS | 89205 / 89215 / 89225               |
| Lifting capacity               | 80 kg                               |
| Stroke                         | 850 / 1400 / 1950 mm                |
| Weight of unit                 | 46 / 50 / 53 kg                     |
| Total height of unit           | 1440 / 1990 / 2540 mm               |
| Battery charger                | 100-240V, grounded 50-60 Hz         |
| Battery                        | 2x12V 7Ah                           |
| Lifts per charge               | 80 kg x 1 m x 100 times             |
| Up and down motions            | Hand control (two speed)            |
| Front wheels                   | Swiveling                           |
| Brake system                   | Central brake with directional lock |
| Overload protection            | Incorporated in circuit load        |
| IP-rating                      | IP24                                |
| Lifting speed fast/slow        | 0,1 m/s / 0,05 m/s                  |
| Adjustable legs                | Width adjustable by 150 mm per leg  |



## Load diagram

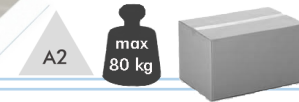


All measures are LxWxH

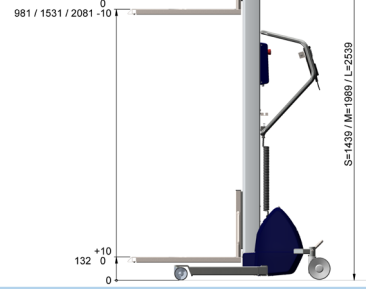
## Platform

Safely lift and transport goods of varying sizes with this robust platform mounted on your PRO80.

- Art. 892610 ss surface, 600x400 mm
- Art. 892611 alu surface, 600x400 mm
- Art. 892612 ss surface, 600x600 mm
- Art. 892613 alu surface, 600x600 mm



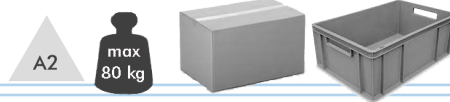
The platform can be mounted ±100 mm from position in drawing.



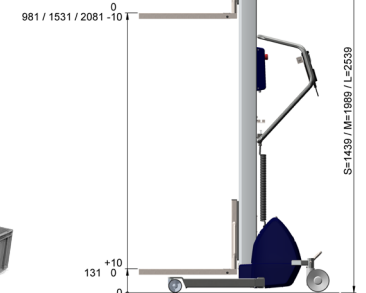
## Fold up platform

This fork tool with a foldable stainless steel platform lets you lift boxes and crates with the same tool.

- Art. 892634
- Surface size 500x450 mm
- Fork length 500 mm, ID 370 mm



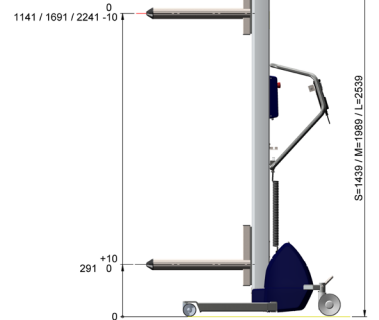
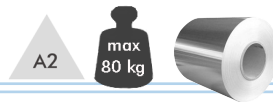
The platform can be mounted ±100 mm from position in drawing.



## Boom

Lift and transport reels onto shafts and machines without effort with this ergonomic boom tool.

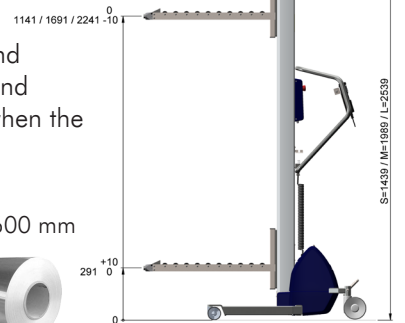
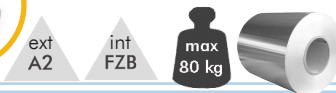
- Art. 892620 Ø63,5x500 mm
- Art. 892621 Ø63,5x1000 mm



## Roller boom

This boom is equipped with rollers for effortless loading and unloading of reels. The safety pin holds the reel in place and ensures safe transport. The pin is automatically released when the boom hits an object.

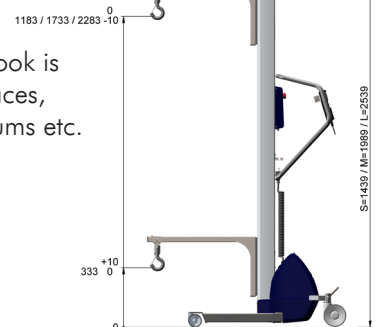
- Art. 892622
- Handles reels up to 600 mm



## Crane arm with hook

A crane arm with an adjustable hook is ideal for reaching into narrow spaces, handling machine parts, small drums etc.

- Art. 892623
- Arm length 600 mm



All measures are LxWxH

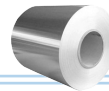
### Tube fork

The tube fork provides a cost efficient reel handling solution, handling reels from their outer surface.

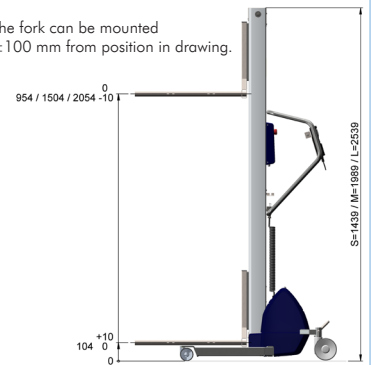
Art. 892631  
Fork length 600 mm, C-C 250 mm

A2

max  
80 kg



The fork can be mounted  
±100 mm from position in drawing.



### Fork

This basic fork tool is ideal for handling both crates and reels. A fork tool on your PRO80 allows for ergonomic and efficient handling of plastic crates.

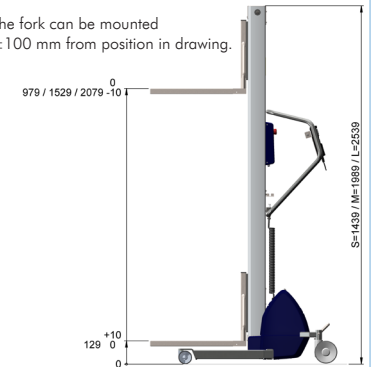
Art. 892630  
Fork length 500 mm, ID 370 mm

A2

max  
80 kg



The fork can be mounted  
±100 mm from position in drawing.



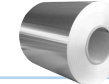
### Axle fork

With this tool, reels on axle are easily gripped and lifted. The reel rests safely on the forks during transport.

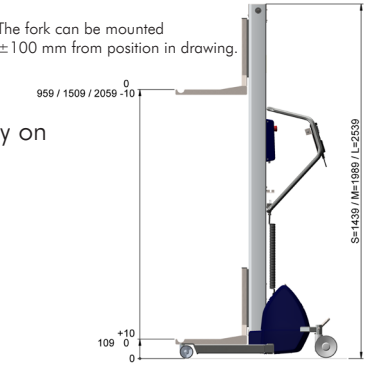
Art. 892632  
Size 340x500 mm  
Handling reels up to Ø600x500 mm

A2

max  
80 kg



The fork can be mounted  
±100 mm from position in drawing.



### Tyre tool

Lift and transport tyres to where you need them with this specialized tool. Commonly used in testing facilities and assembly lines to install and remove tyres in an ergonomic and efficient manner.

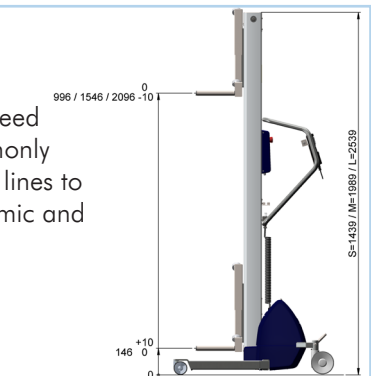
Art. 892635

A2

max  
40 kg



The fork can be mounted  
±100 mm from position in drawing.



### Coregripper

Handling reels from the core, this highly efficient tool lets you pick up reels from a vertical position and rotate to horizontal position.

Art. 892650 core Ø76  
Art. 892655 core Ø152  
Handling reels up to Ø650x600 mm

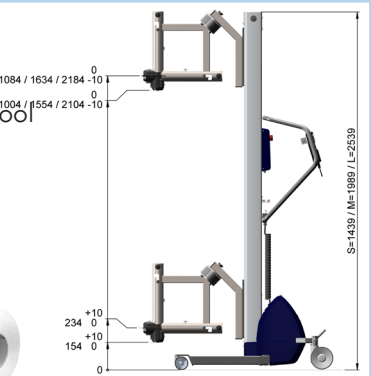
ext  
A2

int  
FZB

max  
50 kg



The fork can be mounted  
±100 mm from position in drawing.



The  
Coregripper is  
our most flexible  
reel handling  
solution!



All measures are LxWxH

Ergonomic

## Ladder

Fold-up ladder, optimal for pushing goods from the tool onto a shelf. This ergonomic three step ladder can be mounted on both sides of the lifter.

Art. 890692

FZB



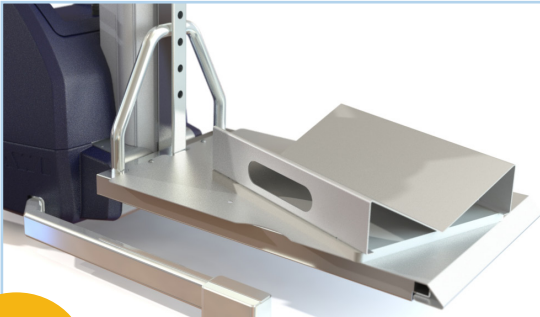
## QuickLoad



This feature for smooth and precise positioning of load saves valuable time and effort for the operator. Positioning is conveniently controlled with the detachable hand control.

Art. 890500

## V-block with rotation plate



A v-block on your platform is a flexible and cost efficient solution for handling all types of reels. The rotation plate is suitable for all stainless steel platforms and enables effortless rotation of the v-block. The v-block can also be used without rotation plate.

Rotation plate Art. 890640

V-block Art. 890641, block length 380 mm, for reels up to Ø600 mm

Efficient

## Quick coupling



With a quick coupling, switching between different tools is quick and simple, for efficient handling of various goods.

Art. 892691, sleigh half  
Art. 892692, tool half

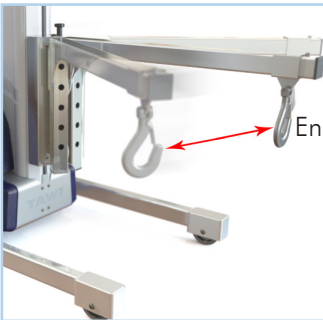
## SmartPack

Extend working hours with a detachable battery pack including charger.

Art. 892400



## Articulating adapter



Enables easy articulation of tools, adding flexibility to your lifter. The adapter can be mounted between all types of tools.

Art. 892697

## ESD wheels

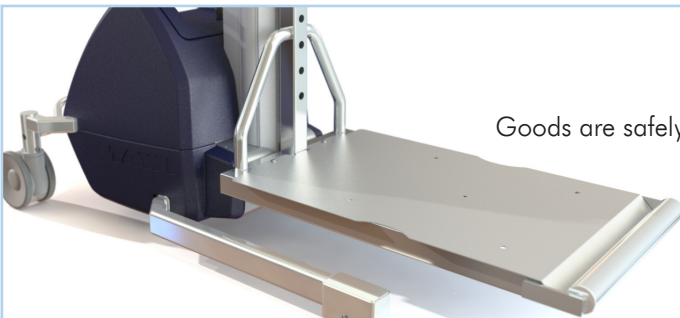
Ensure safety with ESD wheels when electrostatic discharge is not allowed, e.g. in environments where electrical components are assembled.

Art. 890692

Safe



## Roll kit for platform



Goods are safely rolled onto the lifter with a roll kit attached to the platform. Fits platforms 892610 and 892611.

Art. 890644 steel roll Ø40x400 mm  
Art. 890645 plastic roll Ø40x400 mm  
Art. 890646 steel roll Ø40x600 mm  
Art. 890647 plastic roll Ø40x600 mm