



PARTNERS FOR STEEL

www.partners4steel.com

info@partners4steel.com



Industriestraße 23 • 74912 Kirchardt • Germany
Phone +49 7266 207 0 • Fax +49 7266 207 500

www.behringer.net



13 rue de la Brot • 21074 Dijon • France
Phone +33 380 73 21 63 • Fax +33 380 72 15 34

www.vernet-behringer.com



Vorstadt 1 • 96190 Untermerzbach • Germany
Phone: +49 9533 924 0 • Fax: +49 9533 924 300

www.rosler.com

P4S ... not just an empty promise

- Professional advice, first class equipment and prompt and reliable service!
- Constant R&D investments to provide our customers the best solution in sawing, drilling and blasting
- Integrated turn-key solutions: a combination of the core competencies of three experts in their sectors
- No interface problems
- Dense network of about 1.700 specialists worldwide ensures professional installation and training, just-in-time support and service

- From the cast iron to the finished sawing machine - high in-house production depth
- With the daughter company Behringer Eisele providing circular saws Behringer is one of the few complete suppliers in sawing technology

- Complete in-house design and manufacture of production lines and software dedicated to steel tower and structural steel fabricators
- More than 130 years of experience in this field

- World's leading manufacturer of roller conveyor blasting machines and preservation lines
- In-House Manufacturing of almost all components (from load/unload systems, control panels to welding constructions etc.)
- Worldwide network of branches



PARTNERS FOR STEEL



PARTNERS FOR STEEL

Three well established companies are joining their **know-how** to fulfill steel fabricators' and distributors' expectations.

Vernet Behringer, innovative manufacturer of dedicated production lines for the steel industry, Behringer GmbH, one of the world leaders in sawing solutions and Rösler Oberflächentechnik GmbH the world's leading manufacturer of surface finishing technology, including preservation lines, have allied their competencies to offer turn-key installations combining machining, sawing and shot blasting equipment.

Worldwide, 1700 employees are committed to serve end-users through a close-meshed network of local offices and representations.

The high precision sawing technologies combined with high performance machining lines are the core competencies of Behringer and Vernet Behringer.

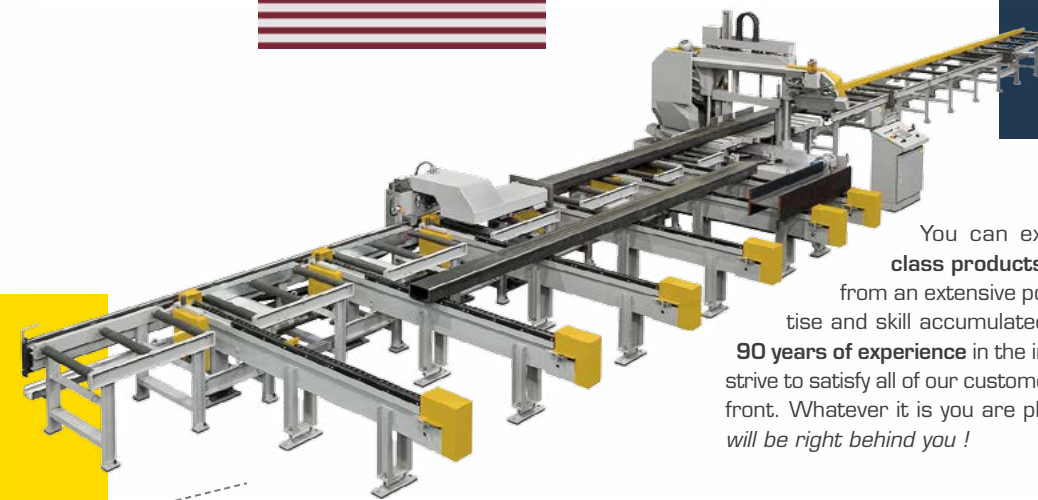
Linked with Rösler shot blasting equipment, we can thus offer complete turn-key lines with optimized production flows, avoiding any interface problems for the Customer.

From the early phases of your project, our common technical approach ensures an optimal engineering in terms of earnings, productivity and quality to offer you the best possible return on investment.

Major players in the steel industry already trust every day the know-how of our specialists.

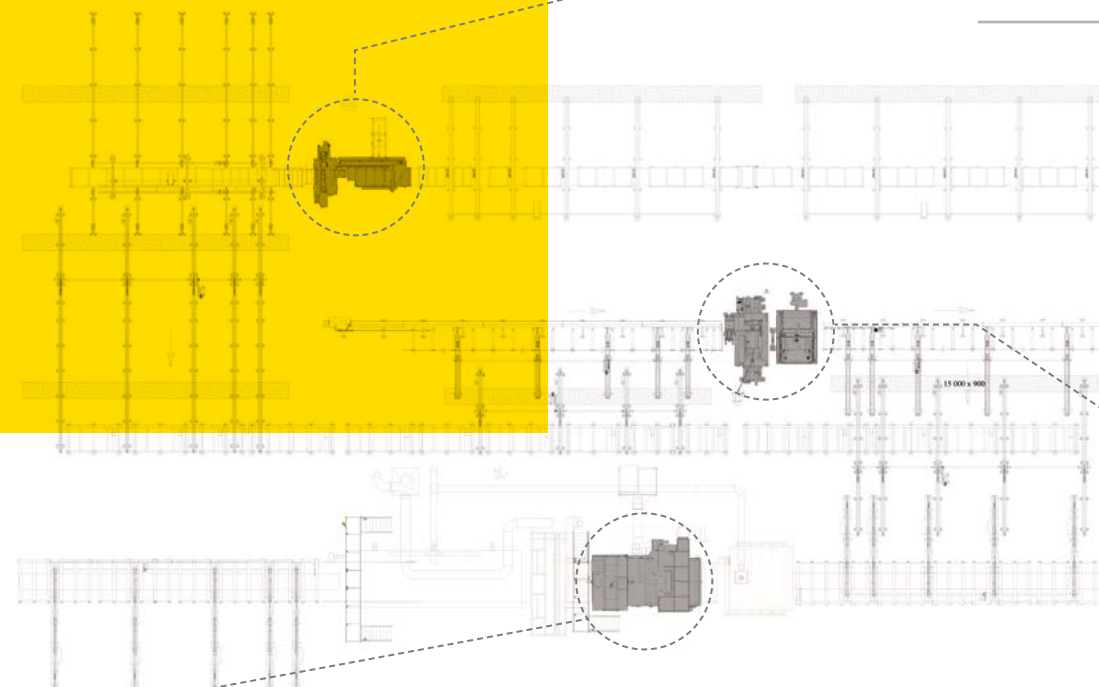


We provide a vital and unique function to your everyday sawing operation. BEHRINGER offers the world's largest range of high-performance band and circular saws for the steel and metalworking industry.



You can expect **first-class products**, benefiting from an extensive pool of expertise and skill accumulated from over **90 years of experience** in the industry. We strive to satisfy all of our customers on every front. Whatever it is you are planning – we will be right behind you !

Whether it is single pieces, bundles, or fixed lengths, Behringer **high-performance mitre bandsaws** make short work of your sawing assignments. We offer saws in every cutting range as well as most angle requirements. Along with their outstanding performance, our machines are all designed to offer maximum precision and operating simplicity.



VERNET BEHRINGER is specialized in the design and manufacture of machine-tools, thanks to one of the most extensive ranges of CNC Machines in the Industry, customized installations and software development primarily dedicated to structural steel fabricators and steel tower specialists.



The name RÖSLER stands for technological leadership in the world of mechanical surface finishing. We offer our customers innovative products and services, a complete range of process engineering know-how as well as the skills to design and implement complex surface finishing systems with ease.

In more than 60 countries we support our customers with a close knit network of branches, and outside sales agencies, which allows us to provide them with a complete range of machines to cover the key sectors within the realm shot blasting technology, all from a single source.

The extensive Rösler shot blasting product range varies widely from single batch shot blast machines to overhead monorail systems for complete welding constructions all the way up to turn-key preservation lines that are designed to apply both pre- and final

coatings. These preservations systems are typically designed to apply a coating of welding primer to the parts for temporary corrosion protection. These lines typically consist of specially engineered conveyor systems, a pre-heater, a roller conveyor or tube shot blast machine, an automatic paint spray system and a subsequent dryer. The entire line is totally engineered around the specific application, size and geometry of the parts.

best-in-class productivity
innovative solutions
turn-key installations
process engineering know-how
perfect combination
low maintenance costs



With unrivalled experience in steel fabrication machinery and firmly oriented to the future and innovation, VERNET BEHRINGER offers a full range of CNC production lines that combine high performances, reliability and low running costs with intuitive and flexible software, for steel profiles and plates processing.

These machines can be fully automated to minimise and even eliminate operator

interventions, through a full range of parts storage, loading/unloading systems and smart part sorting, combined with dedicated software modules that can interface with supervision software and/or client ERP system

All this alongside innovative services that are tailored to your needs to raise the productivity of your operations.



www.partners4steel.com