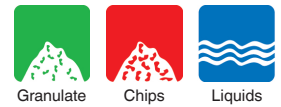


500A Wet and Dry Vacuum

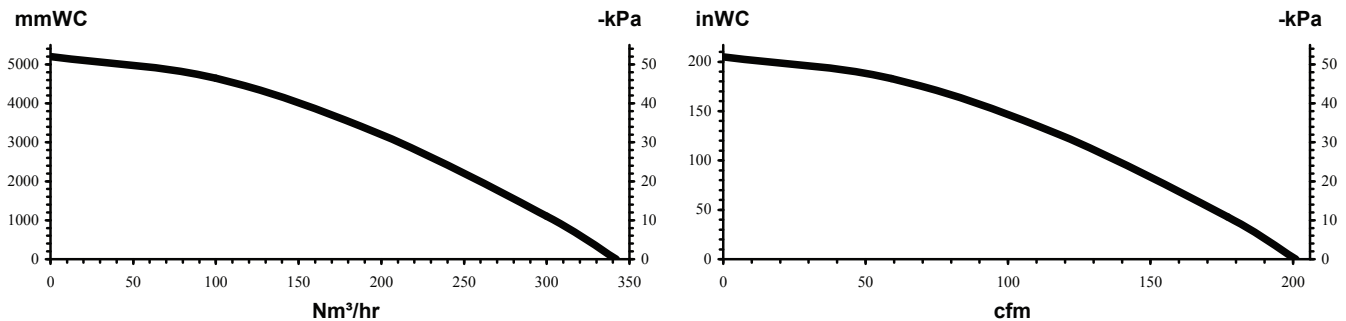


Industrial wet/dry vacuum cleaner for liquid and coarse particle extraction

Industrial wet/dry vacuum cleaner designed for the collection of coarse particles, such as chips and granules as well as liquids and sludge. The high vacuum allows for material transportation over long distance. The vacuum container collects and holds a large volume of material. The smooth wet/dry vacuum cleaner is included with a bottom drain valve for quick and simple discharge of liquids

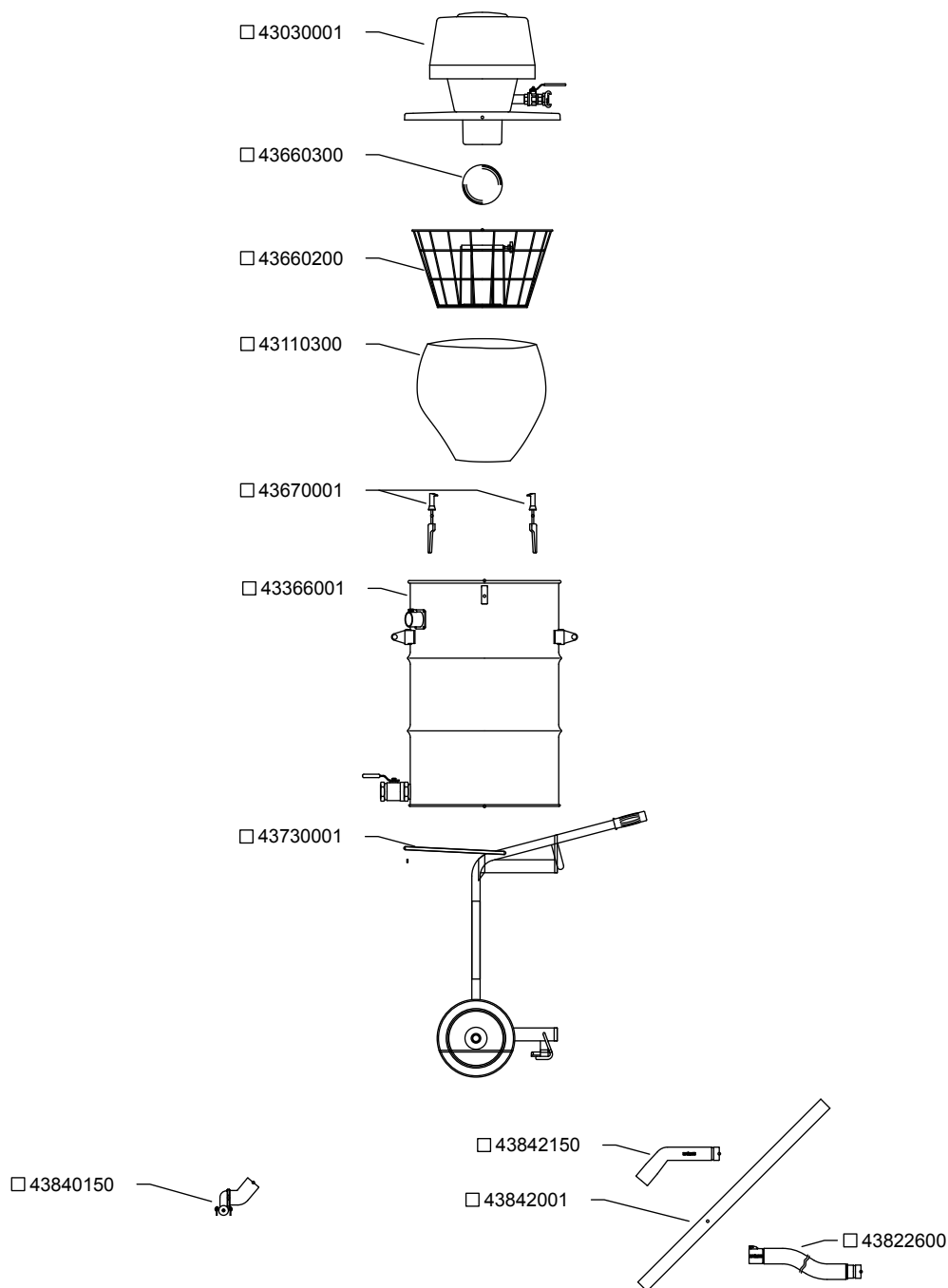
- Smooth in confined space
- Bottom drain valve

Capacity diagram



Technical data

Model	500A
Article number	42150085
Extractor top (article number)	NE52
Voltage, V	-
Power, kW	-
Compressed air consumption, Nm ³ /min	3
Capacity freeblowing, m ³ /h	342
Max. vacuum, kPa	-52
Filter cleaning method	-
Noise level, dB(A)	75.5
Volume of collection bin, l	160
Weight, kg	110
Hose Ø, mm / Length, m	51 / 7.5
Cleaning system model	42932100



Description

Code no.	Description	Qty.
43030001	NE52, S200	1
43110300	Filter bag S200	1
43366001	Container S200 inlet d51	1
43660200	Basket S200	1
43660300	Float ball S50/200	1
43670001	Fastener complete	1

Code no.	Description	Qty.
43730001	Trolley S200 w/2 wheels	1
3822600	Hose PVC d51 L=7.5m incl. couplings	1
43840150	Floor suct head d51/500	1
43842001	Suction pipe d51 PEHD-el	1
43842150	Pipe bend d51 antistatic	1