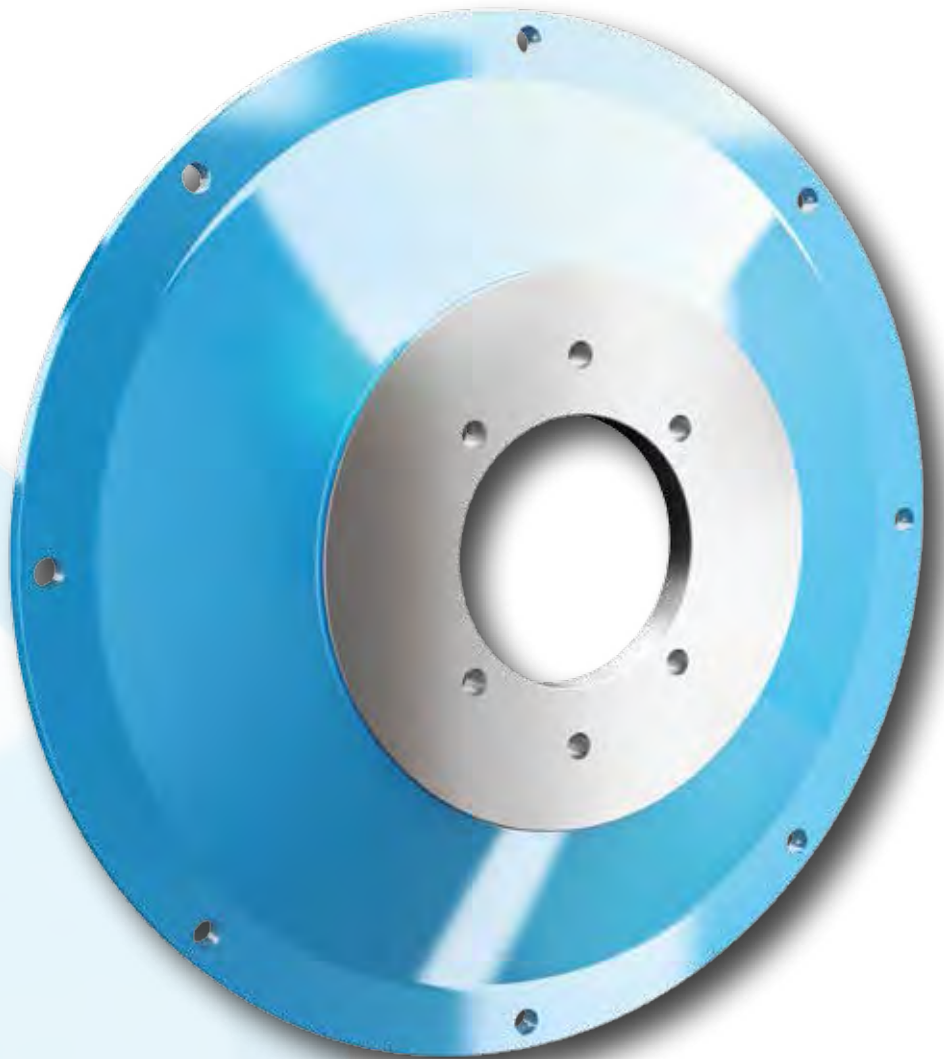


Dipl.-Ing. Herwarth Reich GmbH

D2C
Designed to Customer

Bellhousing flanges for RCT couplings

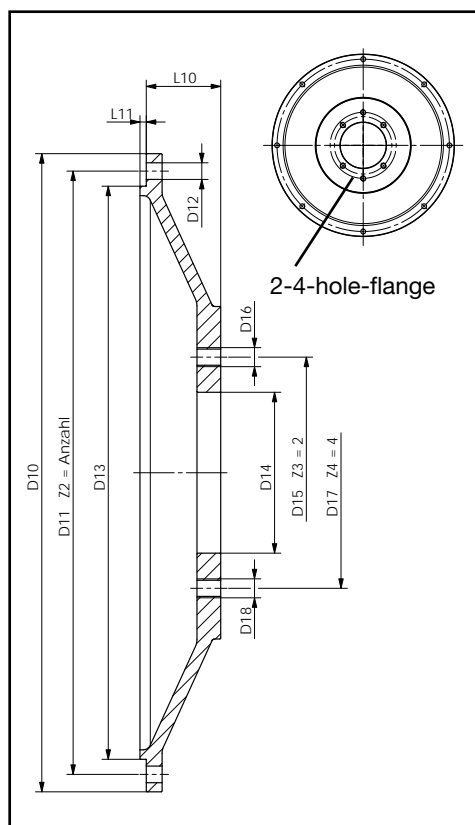
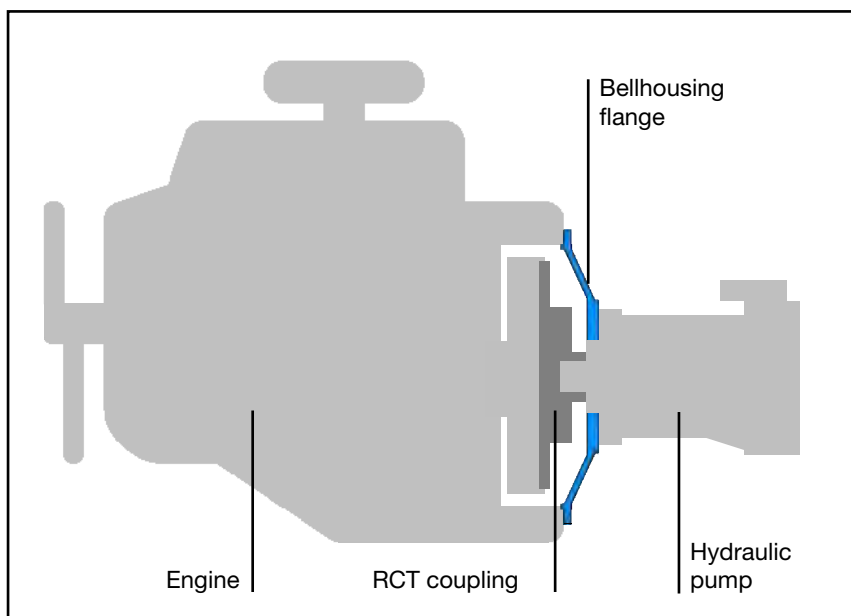


Your drive is our strength. Your strength is our drive.



Technical details

As a supplementary product to its RCT couplings, REICH-KUPPLUNGEN also offers matching bellhousing flanges: The pump housing is connected to the flywheel housing of the engine through the bellhousing flange, and power transmission takes place from the engine flywheel via the RCT coupling to the pump shaft



Engine housing SAE J617	Pump flange SAE J744 2-4-hole	Engine side				Pump side								L ₁₀ ²⁾ [mm]		L ₁₁ [mm]										
		D ₁₀ [mm]	D ₁₁ [mm]	Z ₂	D ₁₂ [mm]	D ₁₃ [mm]	D ₁₄ [mm]	D ₁₅ [mm]	Z ₃	D ₁₆ [mm]	D ₁₇ [mm]	Z ₄	D ₁₈ [mm]													
5	A ¹⁾	356.0	333.4	8	11.0	314.3	82.55	106.4	2	-	-	-	-	-	-	-	-	-	30.0	4.0						
	B																				127.0	4				
4	A ¹⁾	404.0	381.0	12	11.0	362.0	82.55	106.4	2	-	-	-	-	-	-	-	-	-	12.0	30.0	4.0					
	B																					127.0	4			
	C																					161.9	4			
3	B	451.0	428.6	12	11.0	409.6	101.6	146.0	2	-	-	-	-	-	-	-	-	-	12.0	30.0	45.0	4.0				
	C																						127.0	4		
	D																						161.9	4		
	E																						228.6	4		
2	C	489.0	466.7	12	11.0	447.7	127.0	181.0	2	-	-	-	-	-	-	-	-	-	50.0	5.0						
	D																				161.9	4				
	E																				228.6	4				
1	C	552.0	530.2	12	12.0	511.2	127.0	181.0	2	-	-	-	-	-	-	-	-	-	50.0	5.0						
	D																				161.9	4				
	E																				228.6	4				

- 1) 2-hole flange only
- 2) Alternative lengths on request.

The selection of both the bellhousing flange and the RCT coupling is subject to verification by REICH-KUPPLUNGEN with regard to the existing mounting situation of the pump drive.

*Edition March 2016
The present Bellhouse Flanges renders parts of the previous Bellhouse Flanges catalogues obsolete.
All dimensions in millimeters.
We reserve the right to change dimensions and/or design details without prior notice.*

Dipl.-Ing. Herwarth Reich GmbH
Vierhausstraße 53 • 44807 Bochum
Telefon +49 (0) 234 9 59 16 - 0
Telefax +49 (0) 234 9 59 16 - 16
E-Mail: mail@reich-kupplungen.de
www.reich-kupplungen.de

Proprietary notice pursuant to ISO 16016 to be observed:

The reproduction, distribution and utilization of this document as well as the communication of its contents to others without explicit authorization is prohibited. Offenders will be held liable for the payment of damages. All rights reserved in the event of the grant of a patent, utility model or design. © REICH-KUPPLUNGEN