

Magnet Gripper

Adsorbs and Holds with a Magnet

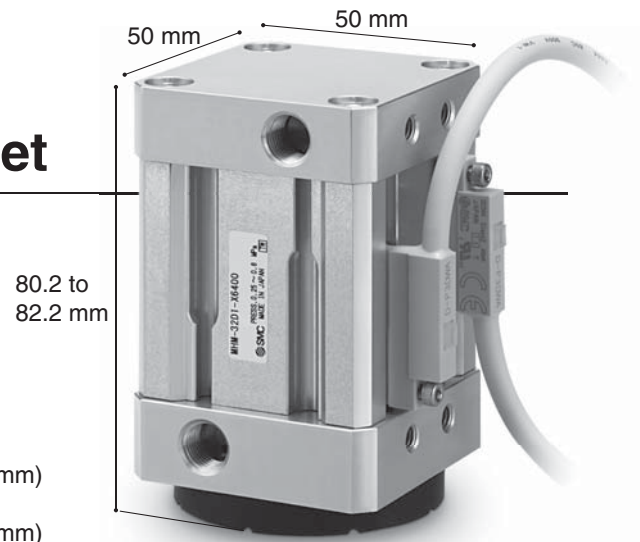
■ **Steel plates can be transferred without a vacuum.**

Supports workpieces with holes and uneven surfaces where a vacuum pad cannot be used.

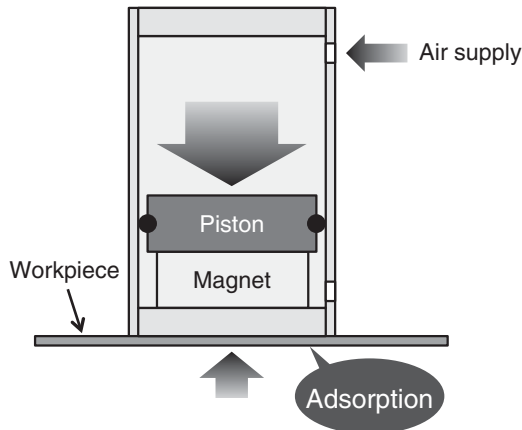
■ **Holds workpieces even when air is shut off.**

■ **High holding force** **80 N** (Workpiece plate thickness: 0.6 mm)
120 N (Workpiece plate thickness: 1.4 mm)

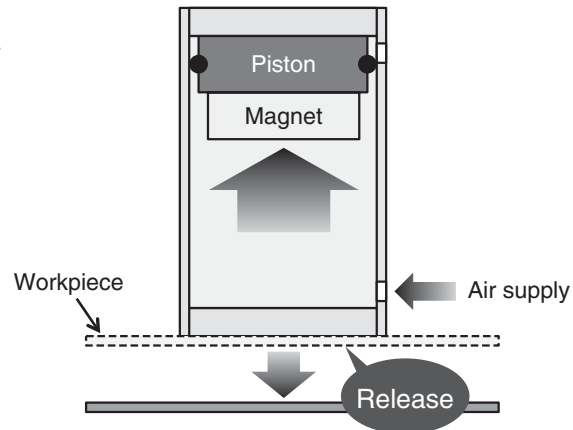
■ **Residual holding force 0.3 N or less** (Reduces workpiece release time)



Workpiece adsorption/holding



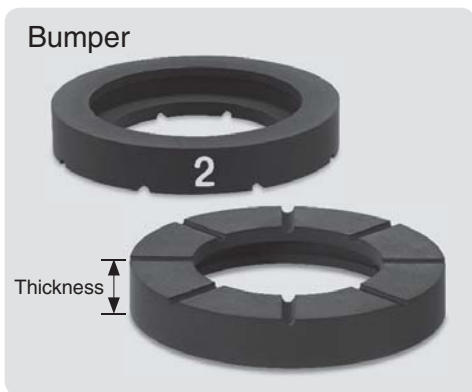
Workpiece release



■ **Holding force can be adjusted with a bumper with 3 types of thicknesses.**

Thickness	Holding force
6 mm	80 N
7 mm	50 N
8 mm	30 N

Prevents deformation of workpieces and accidental adsorption of a second piece. Fluororubber with excellent oil resistance is used. Has a contact surface structure which reduces sideslip. Bumper can be replaced without a tool.



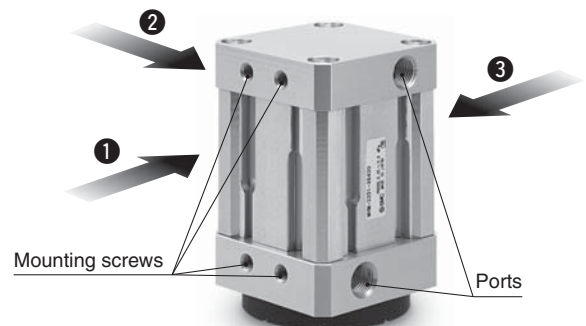
■ **Auto switches can be mounted on 4 surfaces.**

Magnetic field resistant auto switch:
D-P3DWA

Small auto switch:
D-M9□V



■ **Mountable on 3 surfaces.**



MHM-X6400

Magnet Gripper MHM-X6400

How to Order

MHM-32D **1** - **P3DWAL** - **□** - X6400

Holding force

Symbol	Holding force
1	80 N
2	50 N
3	30 N

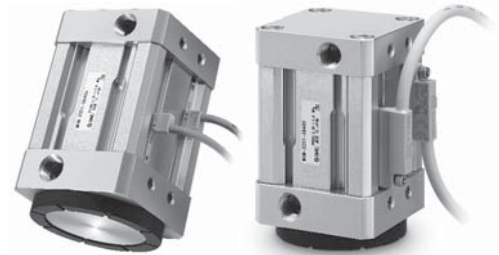
Number of auto switches

—	2
S	1

Auto switch

—	Without auto switch
P3DWA□	D-P3DWA□
M9□V	D-M9□V□

※: For applicable auto switches, refer to the table below.



Applicable Auto Switches: Refer to Auto Switch Guide on www.smc.eu for further information on auto switches.

Magnetic Field Resistant Auto Switches

Type	Auto switch model	Applicable magnetic field	Electrical entry	Indicator light	Wiring (Pin no. in use)	Load voltage	Lead wire length	Applicable load
Solid state auto switch	P3DWASC	AC magnetic field (Single-phase AC welding magnetic field)	Pre-wired connector	2-colour	2-wire (3-4)	24 V DC	0.3 m 0.5 m 3 m 5 m	Relay, PLC
	P3DWASE				2-wire (1-4)			
	P3DWA		Grommet		2-wire			
	P3DWAL							
	P3DWAZ							

Small Auto Switches

Type	Special function	Electrical entry	Indicator light	Wiring (Output)	Load voltage		Auto switch model	Lead wire length [m]				Pre-wired connector	Applicable load	
					DC	AC		0.5 (—)	1 (M)	3 (L)	5 (Z)			
Solid state auto switch	—	Grommet	Yes	3-wire (NPN)	24 V	—	Perpendicular	M9NV	●	●	●	○	○	Relay, PLC
				3-wire (PNP)				M9PV	●	●	●	○	○	
				2-wire				M9BV	●	●	●	○	○	
				3-wire (NPN)				M9NWV	●	●	●	○	○	
				3-wire (PNP)				M9PWV	●	●	●	○	○	
	Diagnostic indication (2-colour indicator)			2-wire	M9BWW	●		●	●	○	○			
				Water resistant (2-colour indicator)	3-wire (NPN)	M9NAV		○	○	●	○	○		
					3-wire (PNP)	M9PAV		○	○	●	○	○		
					2-wire	M9BAV		○	○	●	○	○		
					2-wire			○	○	○	○	○		
2-wire		○	○		○	○	○							

※: Solid state auto switches marked with "○" are produced upon receipt of order.

※: For details about auto switches with pre-wired connectors, refer to Auto Switch Guide.

※: Auto switches are shipped together, but not assembled.

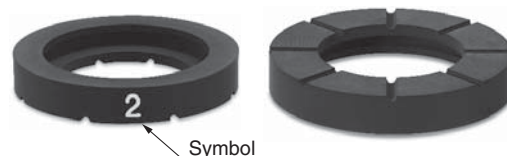
※: Lead wire length symbols: 0.5 m — (Example) M9NWV
1 m M (Example) M9NWVM
3 m L (Example) M9NWVL
5 m Z (Example) M9NWVZ

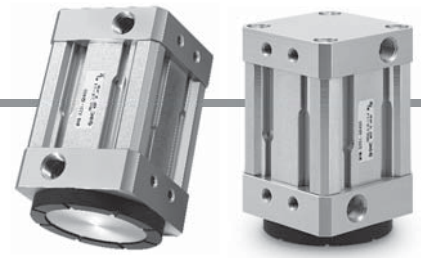
Specifications

Action	Double acting	
Fluid	Air	
Operating pressure	0.25 to 0.6 MPa	
Ambient and fluid temperature	-10 to 60 °C (No freezing)	
Holding force	MHM-32D1-X6400	80 N
(Workpiece thickness: 0.6 mm)	MHM-32D2-X6400	50 N
	MHM-32D3-X6400	30 N
Residual holding force	0.3 N or less	
Lubrication	Non-lube	
Weight	475 g	

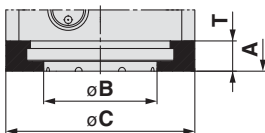
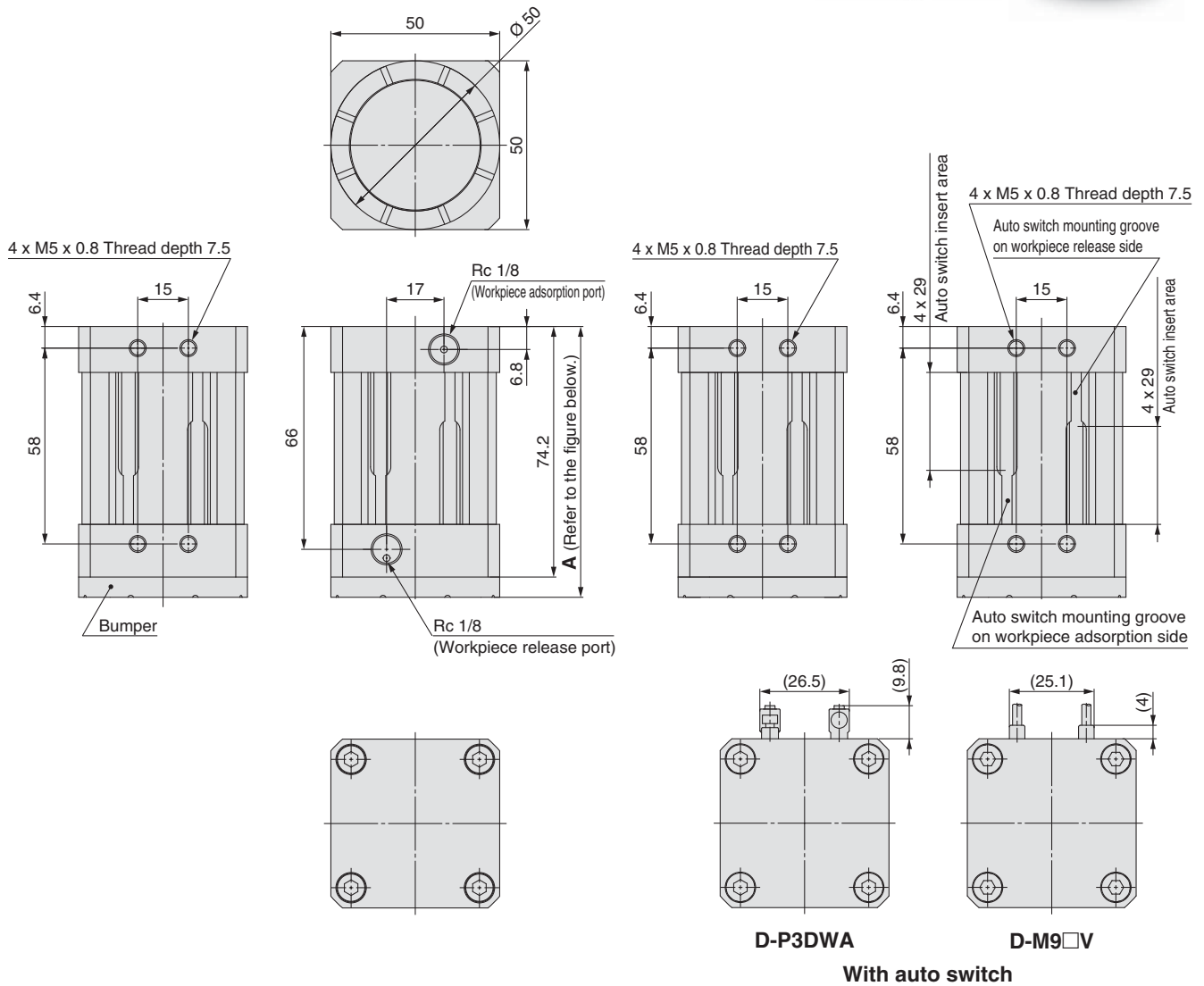
Bumper Order No.

Symbol	Holding force	Model
1	80 N	MHM-A3201-1-X6400
2	50 N	MHM-A3201-2-X6400
3	30 N	MHM-A3201-3-X6400





Dimensions



Symbol	Part number	A	∅ B	∅ C	T
1	MHM-32D1-X6400	80.2	39	50	(6)
2	MHM-32D2-X6400	81.2	30		(7)
3	MHM-32D3-X6400	82.2			(8)

Bumper dimensions

⚠ Caution

- Since a thin plate is used for the metal surface on the end, damage may occur when an impact load is applied due to contact with a workpiece. Be sure to attach a bumper before use, and check and adjust operation so that no impact load is applied to the metal surface.
- When operating an actuator with a small diameter and a short stroke at a high frequency, dew condensation (water droplets) may occur inside the piping depending on the conditions.
Simply connecting the moisture control tube (IDK series) to the actuator will prevent dew condensation from occurring. For details, refer to the IDK series in the catalogue on www.smc.eu.



SMC Corporation (Europe)

Austria	☎ +43 (0)2262622800	www.smc.at	office@smc.at
Belgium	☎ +32 (0)33551464	www.smc-pneumatics.be	info@smc-pneumatics.be
Bulgaria	☎ +359 (0)2807670	www.smc.bg	office@smc.bg
Croatia	☎ +385 (0)13707288	www.smc.hr	office@smc.hr
Czech Republic	☎ +420 541424611	www.smc.cz	office@smc.cz
Denmark	☎ +45 70252900	www.smc.dk.com	smc@smc.dk.com
Estonia	☎ +372 6510370	www.smc-pneumatics.ee	smc@smc-pneumatics.ee
Finland	☎ +358 207513513	www.smc.fi	smc.fi@smc.fi
France	☎ +33 (0)164761000	www.smc-france.fr	info@smc-france.fr
Germany	☎ +49 (0)61034020	www.smc.de	info@smc.de
Greece	☎ +30 210 2717265	www.smc-hellas.gr	sales@smc-hellas.gr
Hungary	☎ +36 23511390	www.smc.hu	office@smc.hu
Ireland	☎ +353 (0)14039000	www.smc-pneumatics.ie	sales@smc-pneumatics.ie
Italy	☎ +39 0292711	www.smc-italia.it	mailbox@smc-italia.it
Latvia	☎ +371 67817700	www.smc.lv	info@smc.lv

Lithuania	☎ +370 5 2308118	www.smc.lt	info@smc.lt
Netherlands	☎ +31 (0)205318888	www.smc-pneumatics.nl	info@smc-pneumatics.nl
Norway	☎ +47 67129020	www.smc-norge.no	post@smc-norge.no
Poland	☎ +48 222119600	www.smc.pl	office@smc.pl
Portugal	☎ +351 226166570	www.smc.eu	postpt@smc-smces.es
Romania	☎ +40 213205111	www.smc-romania.ro	smcromania@smcromania.ro
Russia	☎ +7 8127185445	www.smc-pneumatik.ru	info@smc-pneumatik.ru
Slovakia	☎ +421 (0)413213212	www.smc.sk	office@smc.sk
Slovenia	☎ +386 (0)73885412	www.smc.si	office@smc.si
Spain	☎ +34 902184100	www.smc.es	post@smc-smces.es
Sweden	☎ +46 (0)86031200	www.smc.nu	post@smc.nu
Switzerland	☎ +41 (0)523963131	www.smc.ch	info@smc.ch
Turkey	☎ +90 212 489 0 440	www.smc-pneumatik.com.tr	info@smc-pneumatik.com.tr
UK	☎ +44 (0)845 121 5122	www.smc-pneumatics.co.uk	sales@smc-pneumatics.co.uk